

SERVICE & OPERATING MANUAL

Original Instructions

Certified Quality



SAI GLOBAL

ISO 9001 Certified
ISO 14001 Certified

Member of:
Hydraulic

EAC

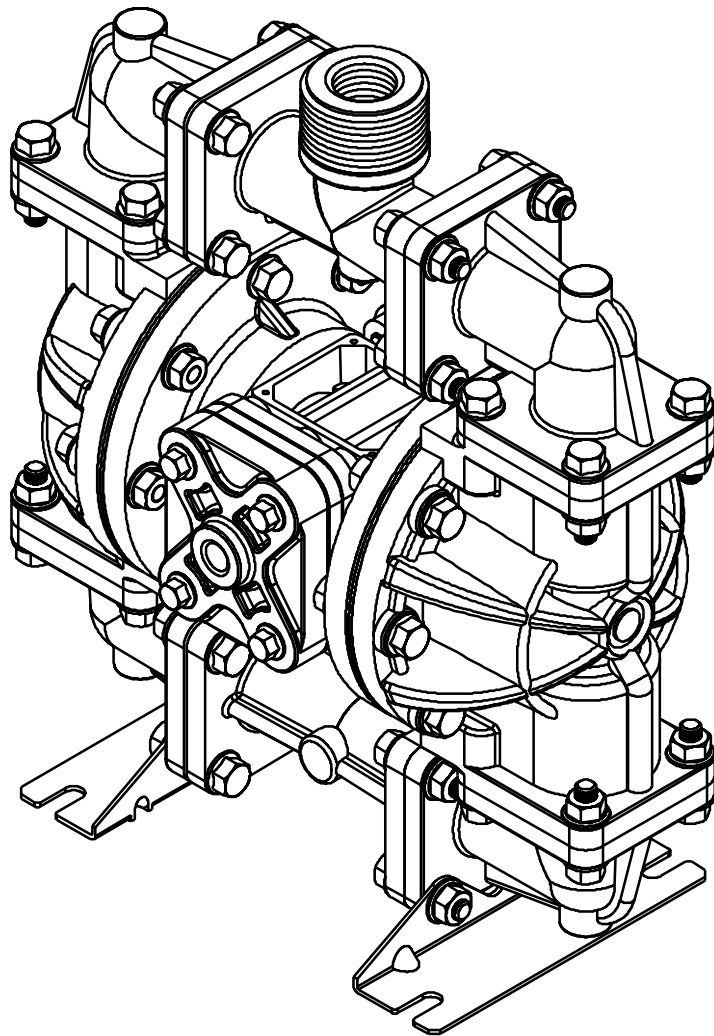
Warren Rupp, Inc.
A Unit of IDEX Corporation
800 N. Main St.,
Mansfield, Ohio 44902 USA
Telephone 419.524.8388
Fax 419.522.7867
SANDPIPERPUMP.COM

IDEX

© Copyright 2017 Warren Rupp, Inc.
All rights reserved

Model S07

Non-Metallic Design Level 1



1: PUMP SPECS

2: INSTAL & OP

3: EXP VIEW

4: AIR END

5: WET END

6: OPTIONAL

7: WARRANTY

SANDPIPER[®]
A WARREN RUPP, INC. BRAND

SANDPIPERPUMP.COM

Safety Information

IMPORTANT



Read the safety warnings and instructions in this manual before pump installation and start-up. Failure to comply with the recommendations stated in this manual could damage the pump and void factory warranty.



When the pump is used for materials that tend to settle out or solidify, the pump should be flushed after each use to prevent damage. In freezing temperatures the pump should be completely drained between uses.

CAUTION



Before pump operation, inspect all fasteners for loosening caused by gasket creep. Retighten loose fasteners to prevent leakage. Follow recommended torques stated in this manual.



Nonmetallic pumps and plastic components are not UV stabilized. Ultraviolet radiation can damage these parts and negatively affect material properties. Do not expose to UV light for extended periods of time.



WARNING
Pump not designed, tested or certified to be powered by compressed natural gas. Powering the pump with natural gas will void the warranty.



WARNING
The use of non-OEM replacement parts will void (or negate) agency certifications, including CE, ATEX, CSA, 3A and EC1935 compliance (Food Contact Materials). Warren Rupp, Inc. cannot ensure nor warrant non-OEM parts to meet the stringent requirements of the certifying agencies.

WARNING



When used for toxic or aggressive fluids, the pump should always be flushed clean prior to disassembly.



Before maintenance or repair, shut off the compressed air line, bleed the pressure, and disconnect the air line from the pump. Be certain that approved eye protection and protective clothing are worn at all times. Failure to follow these recommendations may result in serious injury or death.



Airborne particles and loud noise hazards. Wear eye and ear protection.



In the event of diaphragm rupture, pumped material may enter the air end of the pump, and be discharged into the atmosphere. If pumping a product that is hazardous or toxic, the air exhaust must be piped to an appropriate area for safe containment.



Take action to prevent static sparking. Fire or explosion can result, especially when handling flammable liquids. The pump, piping, valves, containers and other miscellaneous equipment must be properly grounded.

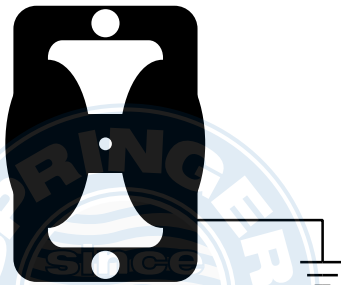


This pump is pressurized internally with air pressure during operation. Make certain that all fasteners are in good condition and are reinstalled properly during reassembly.



Use safe practices when lifting

Grounding ATEX Pumps



ATEX compliant pumps are suitable for use in explosive atmospheres when the equipment is properly grounded in accordance with local electrical codes. Pumps equipped with electrically conductive diaphragms are suitable for the transfer of conductive or non-conductive fluids of any explosion group. When operating pumps equipped with non-conductive diaphragms that exceed the maximum permissible projected area, as defined in EN 13463-1: 2009 section 6.7.5 table 9, the following protection methods must be applied:

- Equipment is always used to transfer electrically conductive fluids or
- Explosive environment is prevented from entering the internal portions of the pump, i.e. dry running

For further guidance on ATEX applications, please consult the factory.

Table of Contents

SECTION 1: PUMP SPECIFICATIONS.....1

- Explanation of Nomenclature
- Performance
- Materials
- Dimensional Drawings

SECTION 2: INSTALLATION & OPERATION.....5

- Principle of Pump Operation
- Recommended Installation Guide
- Troubleshooting Guide

SECTION 3: EXPLODED VIEW8

- Composite Repair Parts Drawing
- Composite Repair Parts List
- Material Codes

SECTION 4: AIR END.....11

- Air Distribution Valve Assembly
- Air Valve with Stroke Indicator Assembly
- Pilot Valve Assembly
- Intermediate Assembly

SECTION 5: WET END17

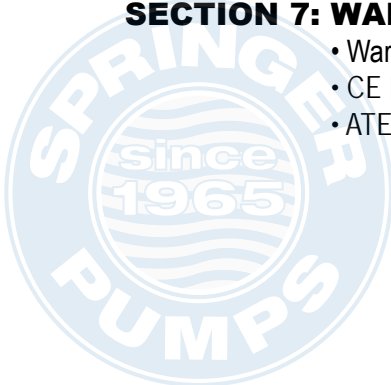
- Diaphragm Drawings
- Diaphragm Servicing

SECTION 6: OPTIONAL CONFIGURATIONS....19

- Solenoid Shifted Air Valve

SECTION 7: WARRANTY & CERTIFICATES20

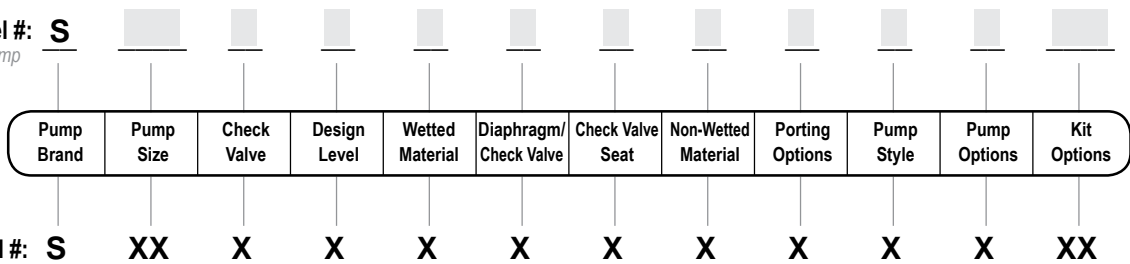
- Warranty
- CE Declaration of Conformity - Machinery
- ATEX Declaration of Conformity



Explanation of Pump Nomenclature

1: PUMP SPECS

Your Model #: **S**
(fill in from pump nameplate)



Pump Brand

S SANDPIPER®

Pump Size

07 3/4"

Check Valve Type

B Ball
T Trihedral

Design Level

1 Design Level 1

Wetted Material

K PVDF
N Nylon
P Polypropylene

Diaphragm/Check Valve Materials

1 Santoprene/Santoprene
2 Virgin PTFE-Santoprene Backup/Virgin PTFE
7 Santoprene/Nitrile
8 Virgin PTFE-Santoprene Backup/FKM
B Nitrile/Nitrile
U Polyurethane/Polyurethane
Z One-Piece Bonded/PTFE

Check Valve Seat

K PVDF
N Nylon
P Polypropylene

Non-Wetted Material Options

P Polypropylene
I Polypropylene with PTFE Hardware

Porting Options

N NPT Threads
1 Dual Porting (NPT)
2 Top Dual Porting (NPT)
3 Bottom Dual Porting (NPT)
B BSP Threads (tapered)
4 Dual Porting (BSP) (tapered)
5 Top Dual Porting (BSP) (tapered)
6 Bottom Dual Porting (BSP) (tapered)

Pump Style

S Standard

Pump Options

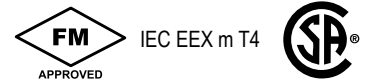
0 None
6 Metal Muffler

Kit Options

00. None
P0. 10-30VDC Pulse Output Kit
P1. Intrinsically-Safe 5-30VDC, 110/120VAC, 220/240VAC Pulse Output Kit
P2. 110/120 or 220/240VAC Pulse Output Kit
E0. Solenoid Kit w/24VDC Coil
E1. Solenoid Kit 24VDC Explosion-Proof Coil
E2. Solenoid Kit w/24VAC/12VDC Coil

E3. Solenoid Kit w/12VDC Explosion-Proof Coil
E4. Solenoid Kit w/110VAC Coil
E5. Solenoid Kit w/110VAC 60 Hz Explosion-Proof Coil
E6. Solenoid Kit w/220VAC Coil
E7. Solenoid Kit w/220VAC 60 Hz Explosion-Proof Coil
E8. Solenoid Kit w/110VAC 50 Hz Explosion-Proof Coil
E9. Solenoid Kit w/230VAC 50 Hz Explosion-Proof Coil
SP Stroke Indicator Pins

Your Serial #: (fill in from pump nameplate) _____



Note: Pump models equipped with these explosion-proof solenoid kit options E1, E3, E5, E7, E8 or E9, are certified and approved by the above agencies. They are NOT ATEX compliant.



Performance

S07 NON-METALLIC

SUCTION/DISCHARGE PORT SIZE

- 3/4" NPT (internal)
- 3/4" BSP Tapered (internal)
- 1 1/2" NPT (external)
- 1 1/2" BSP (external)

CAPACITY

- 0 to 23 US gallons per minute (0 to 87 liters per minute)

AIR DISTRIBUTION VALVE

- No-lube, no-stall design

SOLIDS-HANDLING

- Up to .15 in. (4mm)

HEADS UP TO

- 100 psi or 231 ft. of water (7 bar or 70 meters)

DISPLACEMENT/STROKE

- .026 Gallon / .098 liter

MAX OPERATING PRESSURE

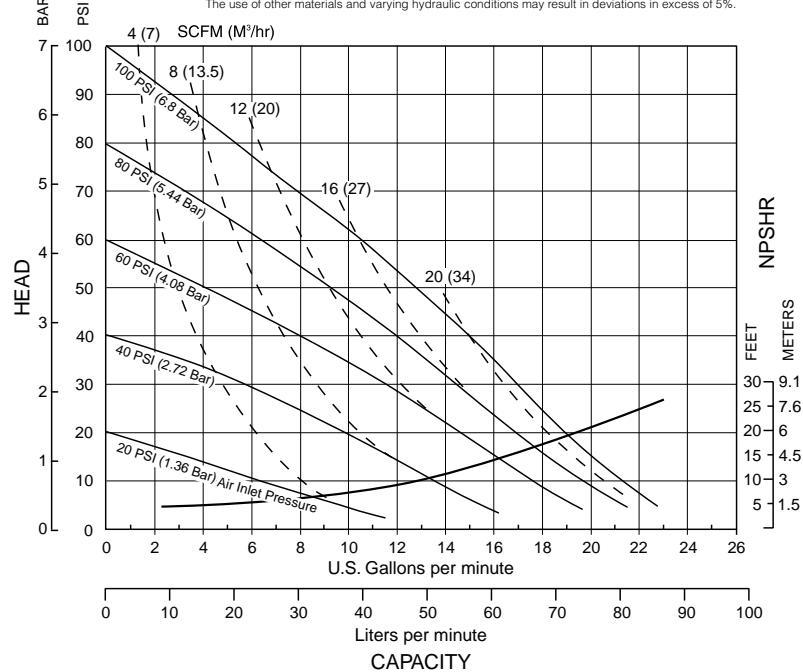
- 100 psi (6.8 bar)

SHIPPING WEIGHT

- PVDF 21 lbs. (9.5kg)
- Polypropylene 18 lbs. (9kg)
- Nylon 17lbs. (8kg)

MODEL S07 Ball Valve Non-Metallic Performance Curve

Performance based on the following: elastomer fitted pump, flooded suction, water at ambient conditions. The use of other materials and varying hydraulic conditions may result in deviations in excess of 5%.



1: PUMP SPECS

Materials

Material Profile:	Operating Temperatures:	
	Max.	Min.
CAUTION! Operating temperature limitations are as follows:		
Conductive Acetal: Tough, impact resistant, ductile. Good abrasion resistance and low friction surface. Generally inert, with good chemical resistance except for strong acids and oxidizing agents.	190°F 88°C	-20°F -29°C
EPDM: Shows very good water and chemical resistance. Has poor resistance to oils and solvents, but is fair in ketones and alcohols.	280°F 138°C	-40°F -40°C
FKM: (Fluorocarbon) Shows good resistance to a wide range of oils and solvents; especially all aliphatic, aromatic and halogenated hydrocarbons, acids, animal and vegetable oils. Hot water or hot aqueous solutions (over 70°F(21°C)) will attack FKM.	350°F 177°C	-40°F -40°C
Hytrel®: Good on acids, bases, amines and glycols at room temperatures only.	220°F 104°C	-20°F -29°C
Neoprene: All purpose. Resistance to vegetable oils. Generally not affected by moderate chemicals, fats, greases and many oils and solvents. Generally attacked by strong oxidizing acids, ketones, esters and nitro hydrocarbons and chlorinated aromatic hydrocarbons.	200°F 93°C	-10°F -23°C
Nitrile: General purpose, oil-resistant. Shows good solvent, oil, water and hydraulic fluid resistance. Should not be used with highly polar solvents like acetone and MEK, ozone, chlorinated hydrocarbons and nitro hydrocarbons.	190°F 88°C	-10°F -23°C
Nylon: 6/6 High strength and toughness over a wide temperature range. Moderate to good resistance to fuels, oils and chemicals.	180°F 82°C	32°F 0°C

Polypropylene: A thermoplastic polymer. Moderate tensile and flex strength. Resists strong acids and alkali. Attacked by chlorine, fuming nitric acid and other strong oxidizing agents.	180°F 82°C	32°F 0°C
PVDF: (Polyvinylidene Fluoride) A durable fluoroplastic with excellent chemical resistance. Excellent for UV applications. High tensile strength and impact resistance.	250°F 121°C	0°F -18°C
Santoprene®: Injection molded thermoplastic elastomer with no fabric layer. Long mechanical flex life. Excellent abrasion resistance.	275°F 135°C	-40°F -40°C
UHMW PE: A thermoplastic that is highly resistant to a broad range of chemicals. Exhibits outstanding abrasion and impact resistance, along with environmental stress-cracking resistance.	180°F 82°C	-35°F -37°C
Urethane: Shows good resistance to abrasives. Has poor resistance to most solvents and oils.	150°F 66°C	32°F 0°C
Virgin PTFE: (PFA/TFE) Chemically inert, virtually impervious. Very few chemicals are known to chemically react with PTFE; molten alkali metals, turbulent liquid or gaseous fluorine and a few fluoro-chemicals such as chlorine trifluoride or oxygen difluoride which readily liberate free fluorine at elevated temperatures.	220°F 104°C	-35°F -37°C
<i>Maximum and Minimum Temperatures are the limits for which these materials can be operated. Temperatures coupled with pressure affect the longevity of diaphragm pump components. Maximum life should not be expected at the extreme limits of the temperature ranges.</i>		
Metals:		
Alloy C: Equal to ASTM494 CW-12M-1 specification for nickel and nickel alloy.		
Stainless Steel: Equal to or exceeding ASTM specification A743 CF-8M for corrosion resistant iron chromium, iron chromium nickel and nickel based alloy castings for general applications. Commonly referred to as 316 Stainless Steel in the pump industry.		

For specific applications, always consult the Chemical Resistance Chart.

Ambient temperature range: -20°C to +40°C
Process temperature range: -20°C to +80°C for models rated as category 1 equipment
 -20°C to +100°C for models rated as category 2 equipment

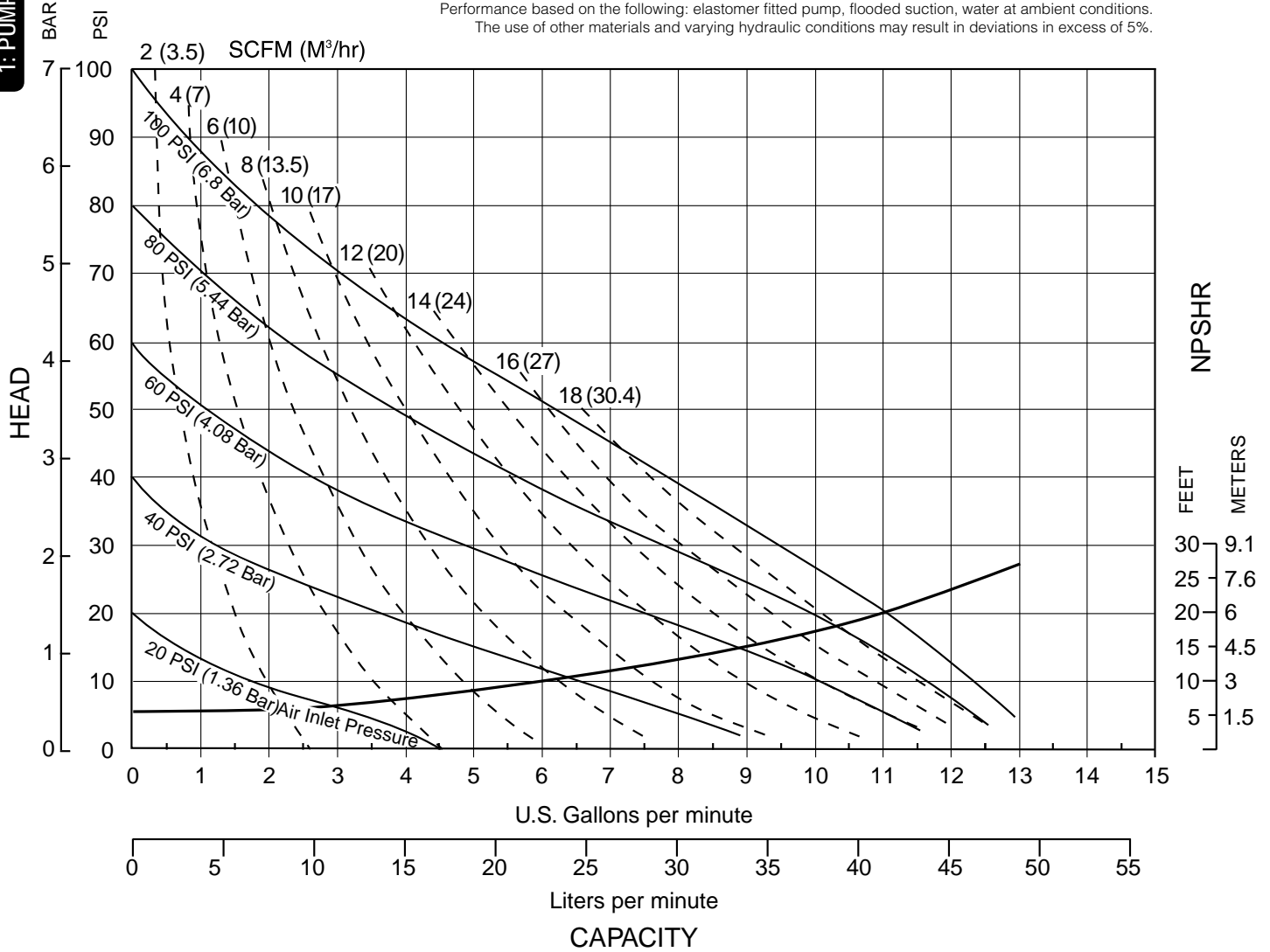
In addition, the ambient temperature range and the process temperature range do not exceed the operating temperature range of the applied non-metallic parts as listed in the manuals of the pumps.

S07 Non-Metallic Performance Curve, Trihedral Model

1: PUMP SPECS

MODEL S07 Trihedral Valve Performance Curve

Performance based on the following: elastomer fitted pump, flooded suction, water at ambient conditions.
The use of other materials and varying hydraulic conditions may result in deviations in excess of 5%.



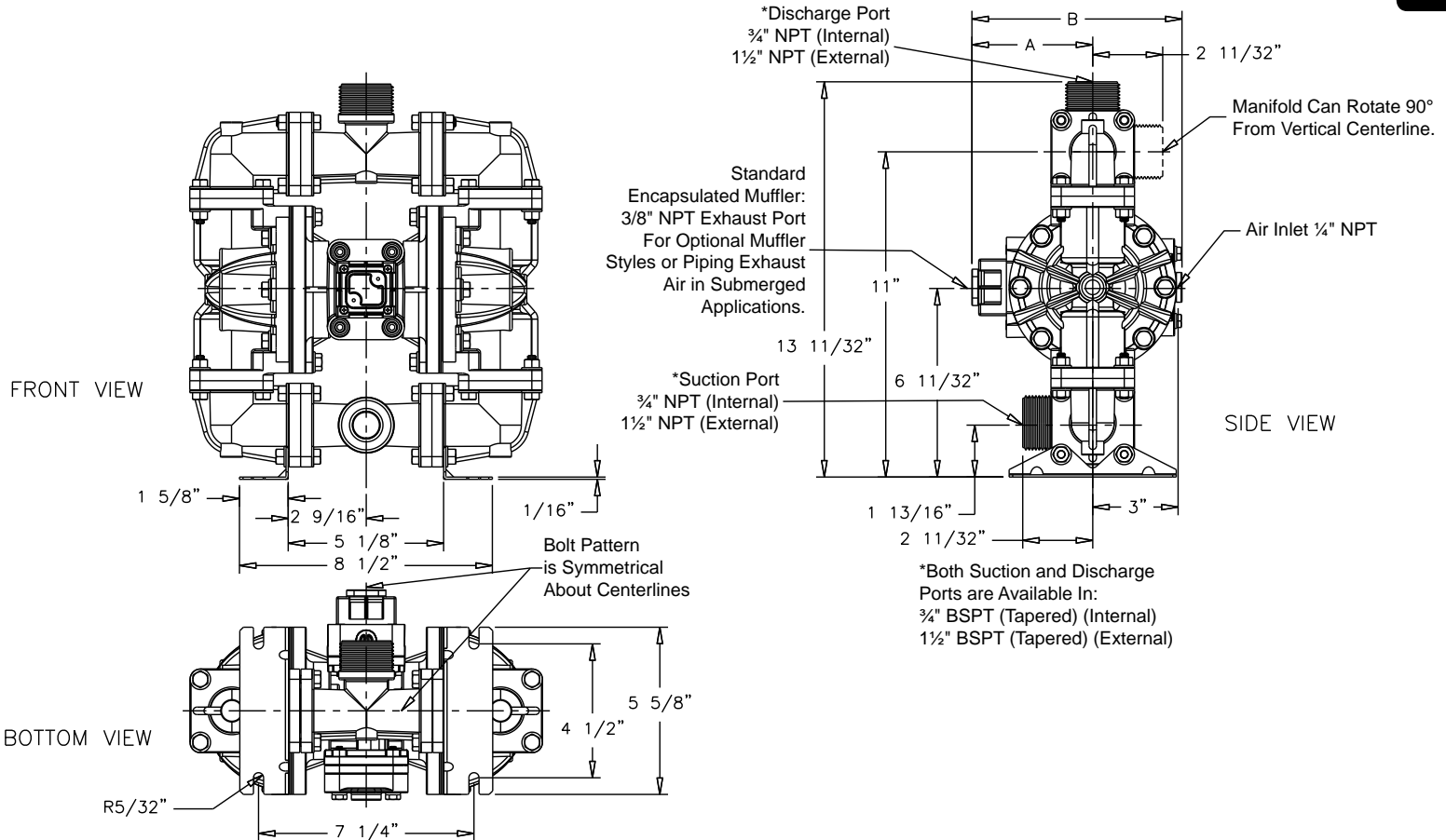
Dimensional Drawings

S07 Non-Metallic

Dimensions in inches (mm dimensions in brackets). Dimensional Tolerance: $\pm 1/8"$ ($\pm 3\text{mm}$)

The dimensions on this drawing are for reference only. A certified drawing can be requested if physical dimensions are needed.

1: PUMP SPECS



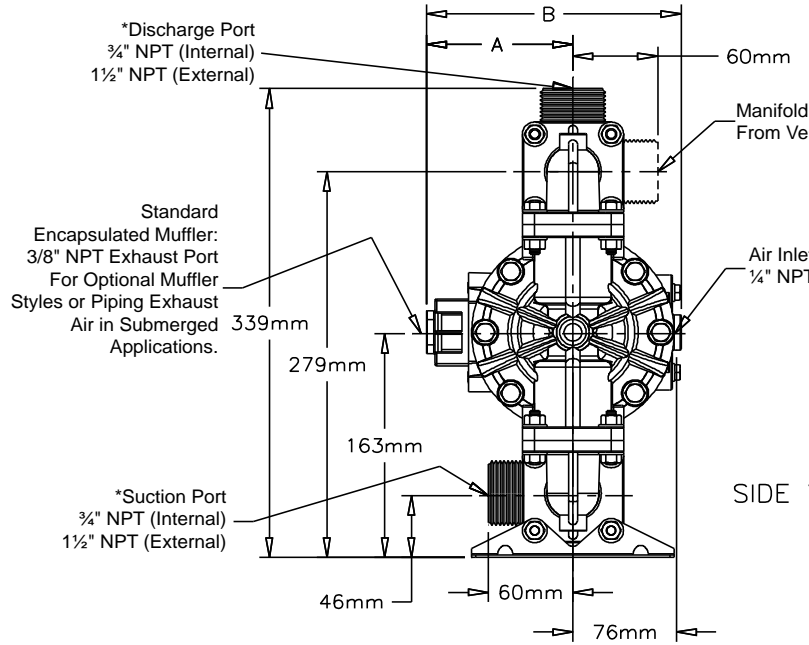
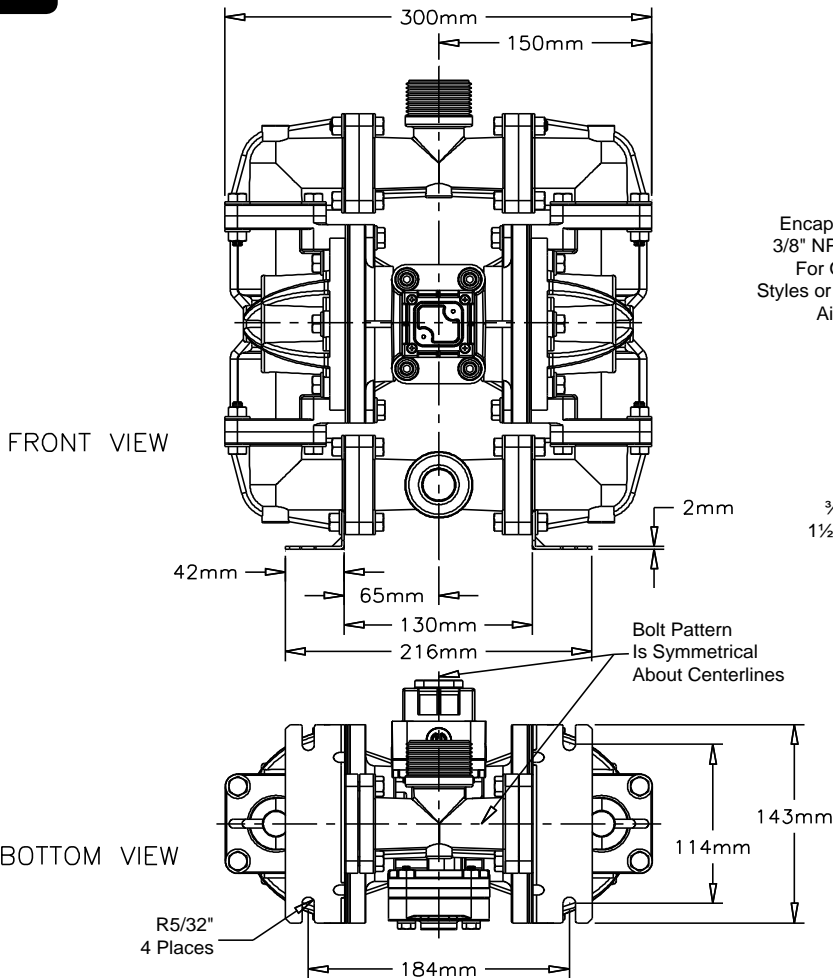
Dimension	A	B
Standard Pump	4 1/16"	7 1/16"
Pulse Output Kit	4 1/16"	7 1/16"
Mesh Muffler	5 3/4"	9 15/16"



Dimensional Drawings

S07 Non-Metallic-Metric

Dimensions in inches (mm dimensions in brackets). Dimensional Tolerance: $\pm 1/8"$ ($\pm 3\text{mm}$)
 The dimensions on this drawing are for reference only. A certified drawing can be requested if physical dimensions are needed.

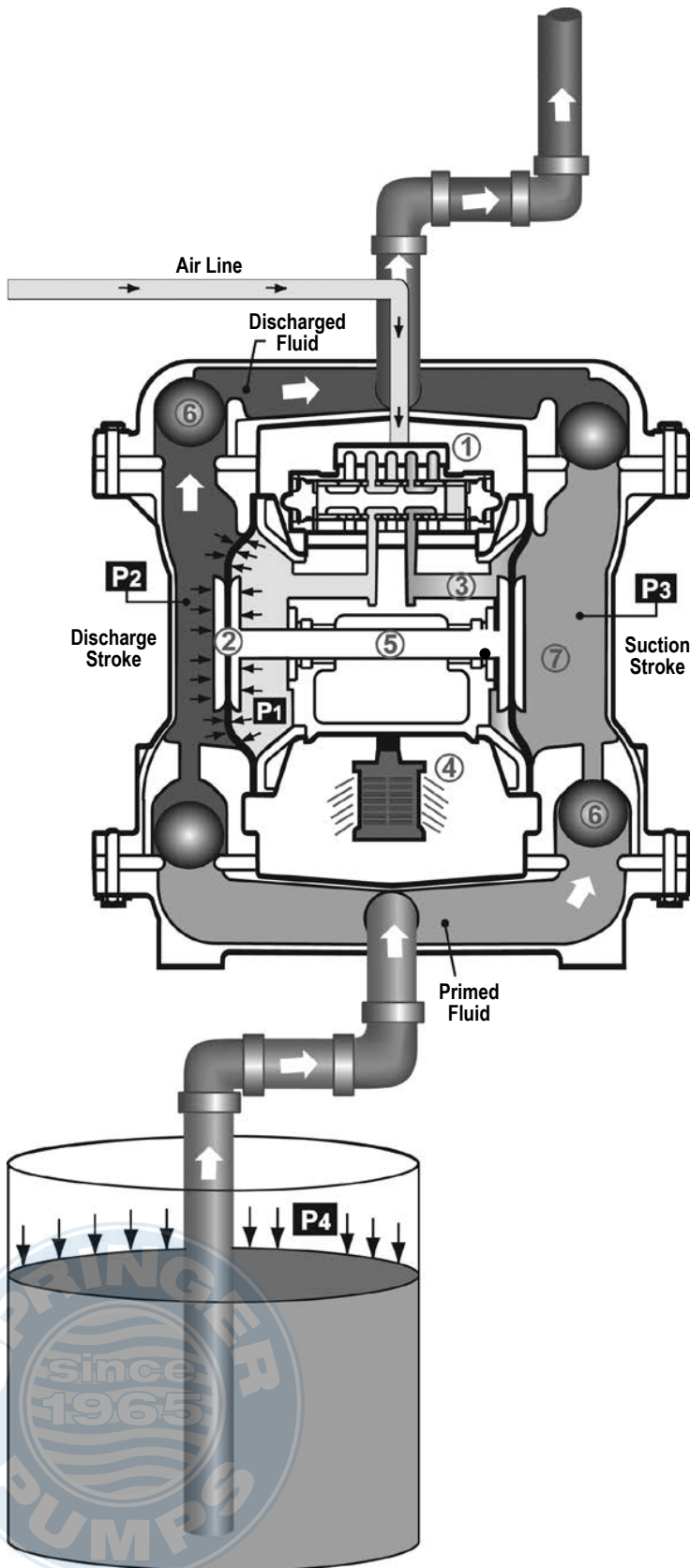


*Both Suction and Discharge Ports are Available In:
 3/4" BSPT (Tapered) (Internal)
 1 1/2" BSPT (Tapered) (External)

Dimension	A	B
Standard Pump	103mm	179mm
Pulse Output Kit	103mm	224mm
Mesh Muffler	146mm	222mm



Principle of Pump Operation



Air-Operated Double Diaphragm (AODD) pumps are powered by compressed air or nitrogen.

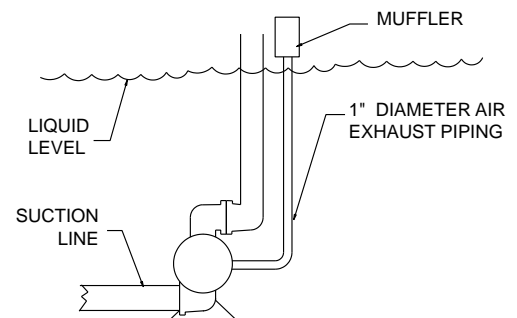
The main directional (air) control valve distributes compressed air to an air chamber, exerting uniform pressure over the inner surface of the diaphragm. At the same time, the exhausting air from behind the opposite diaphragm is directed through the air valve assembly(s) to an exhaust port.

As inner chamber pressure (**P1**) exceeds liquid chamber pressure (**P2**), the rod connected diaphragms shift together creating discharge on one side and suction on the opposite side. The discharged and primed liquid's directions are controlled by the check valves (ball or flap) orientation.

The pump primes as a result of the suction stroke. The suction stroke lowers the chamber pressure (**P3**) increasing the chamber volume. This results in a pressure differential necessary for atmospheric pressure (**P4**) to push the fluid through the suction piping and across the suction side check valve and into the outer fluid chamber.

Suction (side) stroking also initiates the reciprocating (shifting, stroking or cycling) action of the pump. The suction diaphragm's movement is mechanically pulled through its stroke. The diaphragm's inner plate makes contact with an actuator plunger aligned to shift the pilot signaling valve. Once actuated, the pilot valve sends a pressure signal to the opposite end of the main directional air valve, redirecting the compressed air to the opposite inner chamber.

SUBMERGED ILLUSTRATION



Pump can be submerged if the pump materials of construction are compatible with the liquid being pumped. The air exhaust must be piped above the liquid level. When the pumped product source is at a higher level than the pump (flooded suction condition), pipe the exhaust higher than the product source to prevent siphoning spills.

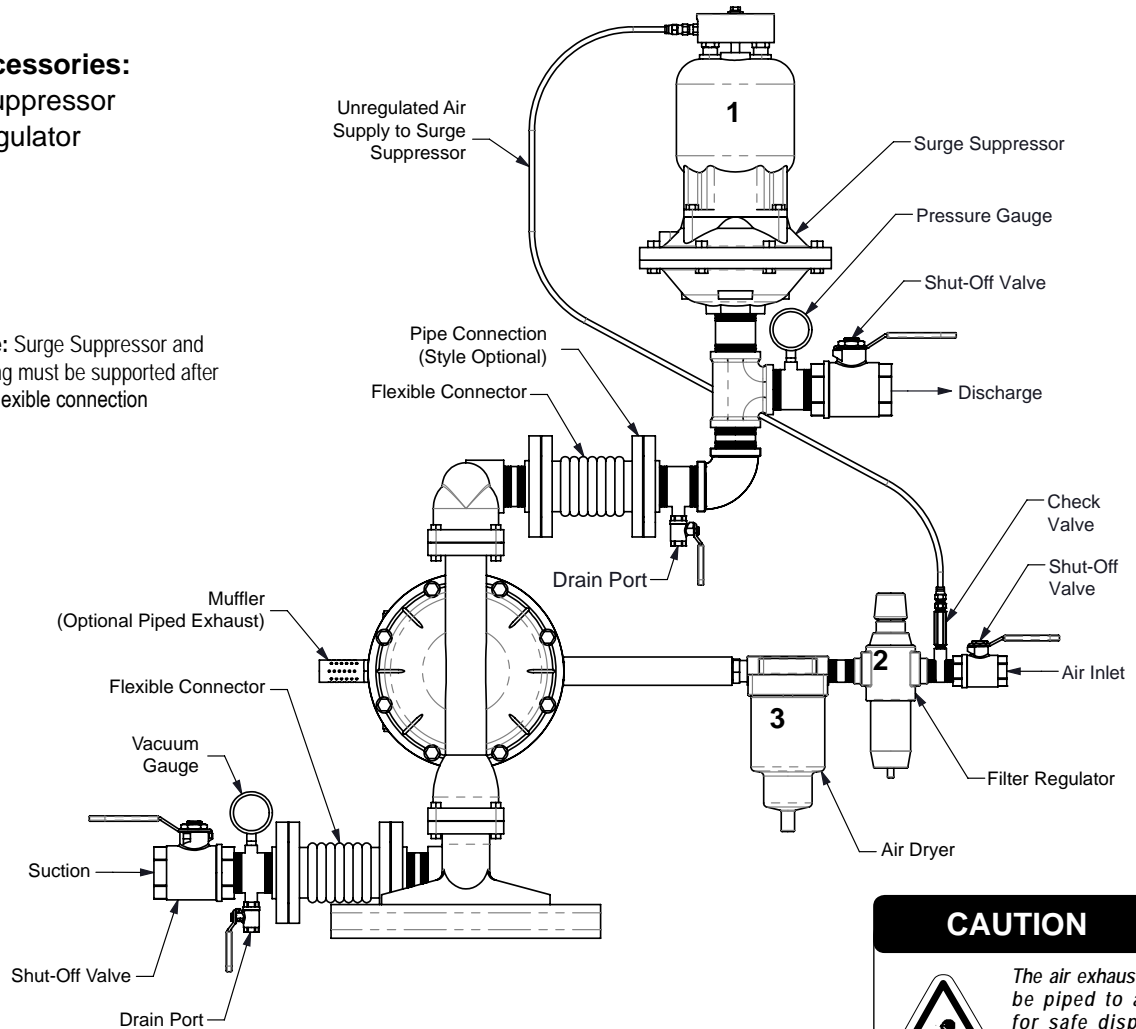
2: INSTAL & OP

Recommended Installation Guide

Available Accessories:

1. Surge Suppressor
2. Filter/Regulator
3. Air Dryer

Note: Surge Suppressor and Piping must be supported after the flexible connection



CAUTION

The air exhaust should be piped to an area for safe disposition of the product being pumped, in the event of a diaphragm failure.

Installation And Start-Up

Locate the pump as close to the product being pumped as possible. Keep the suction line length and number of fittings to a minimum. Do not reduce the suction line diameter.

Air Supply

Connect the pump air inlet to an air supply with sufficient capacity and pressure to achieve desired performance. A pressure regulating valve should be installed to insure air supply pressure does not exceed recommended limits.

Air Valve Lubrication

The air distribution system is designed to operate WITHOUT lubrication. This is the standard mode of operation. If lubrication is desired, install an air line lubricator set to deliver one drop of SAE 10 non-detergent oil for every 20 SCFM (9.4 liters/sec.) of air the pump consumes. Consult the Performance Curve to determine air consumption.

Air Line Moisture

Water in the compressed air supply may cause icing or freezing of the exhaust air, causing the pump to cycle erratically or stop operating. Water in the air supply can be reduced by using a point-of-use air dryer.

Air Inlet And Priming

To start the pump, slightly open the air shut-off valve. After the pump primes, the air valve can be opened to increase air flow as desired. If opening the valve increases cycling rate, but does not increase the rate of flow, cavitation has occurred. The valve should be closed slightly to obtain the most efficient air flow to pump flow ratio.

Troubleshooting Guide

2: INSTAL & OP

Symptom:	Potential Cause(s):	Recommendation(s):
Pump Cycles Once	Deadhead (system pressure meets or exceeds air supply pressure).	Increase the inlet air pressure to the pump. Pump is designed for 1:1 pressure ratio at zero flow. (Does not apply to high pressure 2:1 units).
	Air valve or intermediate gaskets installed incorrectly.	Install gaskets with holes properly aligned.
	Bent or missing actuator plunger.	Remove pilot valve and inspect actuator plungers.
Pump Will Not Operate / Cycle	Pump is over lubricated.	Set lubricator on lowest possible setting or remove. Units are designed for lube free operation.
	Lack of air (line size, PSI, CFM).	Check the air line size and length, compressor capacity (HP vs. CFM required).
	Check air distribution system.	Disassemble and inspect main air distribution valve, pilot valve and pilot valve actuators.
	Discharge line is blocked or clogged manifolds.	Check for inadvertently closed discharge line valves. Clean discharge manifolds/piping.
	Deadhead (system pressure meets or exceeds air supply pressure).	Increase the inlet air pressure to the pump. Pump is designed for 1:1 pressure ratio at zero flow. (Does not apply to high pressure 2:1 units).
	Blocked air exhaust muffler.	Remove muffler screen, clean or de-ice, and re-install.
	Pumped fluid in air exhaust muffler.	Disassemble pump chambers. Inspect for diaphragm rupture or loose diaphragm plate assembly.
Pump Cycles and Will Not Prime or No Flow	Pump chamber is blocked.	Disassemble and inspect wetted chambers. Remove or flush any obstructions.
	Cavitation on suction side.	Check suction condition (move pump closer to product).
	Check valve obstructed. Valve ball(s) not seating properly or sticking.	Disassemble the wet end of the pump and manually dislodge obstruction in the check valve pocket. Clean out around valve ball cage and valve seat area. Replace valve ball or valve seat if damaged. Use heavier valve ball material.
	Valve ball(s) missing (pushed into chamber or manifold).	Worn valve ball or valve seat. Worn fingers in valve ball cage (replace part). Check Chemical Resistance Guide for compatibility.
	Valve ball(s) / seat(s) damaged or attacked by product.	Check Chemical Resistance Guide for compatibility.
	Check valve and/or seat is worn or needs adjusting.	Inspect check valves and seats for wear and proper setting. Replace if necessary.
	Suction line is blocked.	Remove or flush obstruction. Check and clear all suction screens or strainers.
	Excessive suction lift.	For lifts exceeding 20' of liquid, filling the chambers with liquid will prime the pump in most cases.
	Suction side air leakage or air in product.	Visually inspect all suction-side gaskets and pipe connections.
	Pumped fluid in air exhaust muffler.	Disassemble pump chambers. Inspect for diaphragm rupture or loose diaphragm plate assembly.
Pump Cycles Running Sluggish / Stalling, Flow Unsatisfactory	Over lubrication.	Set lubricator on lowest possible setting or remove. Units are designed for lube free operation.
	Icing.	Remove muffler screen, de-ice, and re-install. Install a point of use air drier.
	Clogged manifolds.	Clean manifolds to allow proper air flow.
	Deadhead (system pressure meets or exceeds air supply pressure).	Increase the inlet air pressure to the pump. Pump is designed for 1:1 pressure ratio at zero flow. (Does not apply to high pressure 2:1 units).
	Cavitation on suction side.	Check suction (move pump closer to product).
	Lack of air (line size, PSI, CFM).	Check the air line size, length, compressor capacity.
	Excessive suction lift.	For lifts exceeding 20' of liquid, filling the chambers with liquid will prime the pump in most cases.
	Air supply pressure or volume exceeds system hd.	Decrease inlet air (press. and vol.) to the pump. Pump is cavitating the fluid by fast cycling.
	Undersized suction line.	Meet or exceed pump connections.
	Restrictive or undersized air line.	Install a larger air line and connection.
	Suction side air leakage or air in product.	Visually inspect all suction-side gaskets and pipe connections.
	Suction line is blocked.	Remove or flush obstruction. Check and clear all suction screens or strainers.
	Pumped fluid in air exhaust muffler.	Disassemble pump chambers. Inspect for diaphragm rupture or loose diaphragm plate assembly.
	Check valve obstructed.	Disassemble the wet end of the pump and manually dislodge obstruction in the check valve pocket.
Check valve and/or seat is worn or needs adjusting.	Inspect check valves and seats for wear and proper setting. Replace if necessary.	
Product Leaking Through Exhaust	Entrained air or vapor lock in chamber(s).	Purge chambers through tapped chamber vent plugs. Purging the chambers of air can be dangerous.
	Diaphragm failure, or diaphragm plates loose.	Replace diaphragms, check for damage and ensure diaphragm plates are tight.
Premature Diaphragm Failure	Diaphragm stretched around center hole or bolt holes.	Check for excessive inlet pressure or air pressure. Consult Chemical Resistance Chart for compatibility with products, cleaners, temperature limitations and lubrication.
	Cavitation.	Enlarge pipe diameter on suction side of pump.
	Excessive flooded suction pressure.	Move pump closer to product. Raise pump/place pump on top of tank to reduce inlet pressure. Install Back pressure device (Tech bulletin 41r). Add accumulation tank or pulsation dampener.
	Misapplication (chemical/physical incompatibility).	Consult Chemical Resistance Chart for compatibility with products, cleaners, temperature limitations and lubrication.
Unbalanced Cycling	Incorrect diaphragm plates or plates on backwards, installed incorrectly or worn.	Check Operating Manual to check for correct part and installation. Ensure outer plates have not been worn to a sharp edge.
	Excessive suction lift.	For lifts exceeding 20' of liquid, filling the chambers with liquid will prime the pump in most cases.
	Undersized suction line.	Meet or exceed pump connections.
	Pumped fluid in air exhaust muffler.	Disassemble pump chambers. Inspect for diaphragm rupture or loose diaphragm plate assembly.
	Suction side air leakage or air in product.	Visually inspect all suction-side gaskets and pipe connections.
	Check valve obstructed.	Disassemble the wet end of the pump and manually dislodge obstruction in the check valve pocket.
	Check valve and/or seat is worn or needs adjusting.	Inspect check valves and seats for wear and proper setting. Replace if necessary.
Entrained air or vapor lock in chamber(s).	Purge chambers through tapped chamber vent plugs.	

For additional troubleshooting tips contact After Sales Support at service.warrenrupp@idexcorp.com or 419-524-8388



SANDPIPERPUMP.COM

Model S07 Non-Metallic • 8

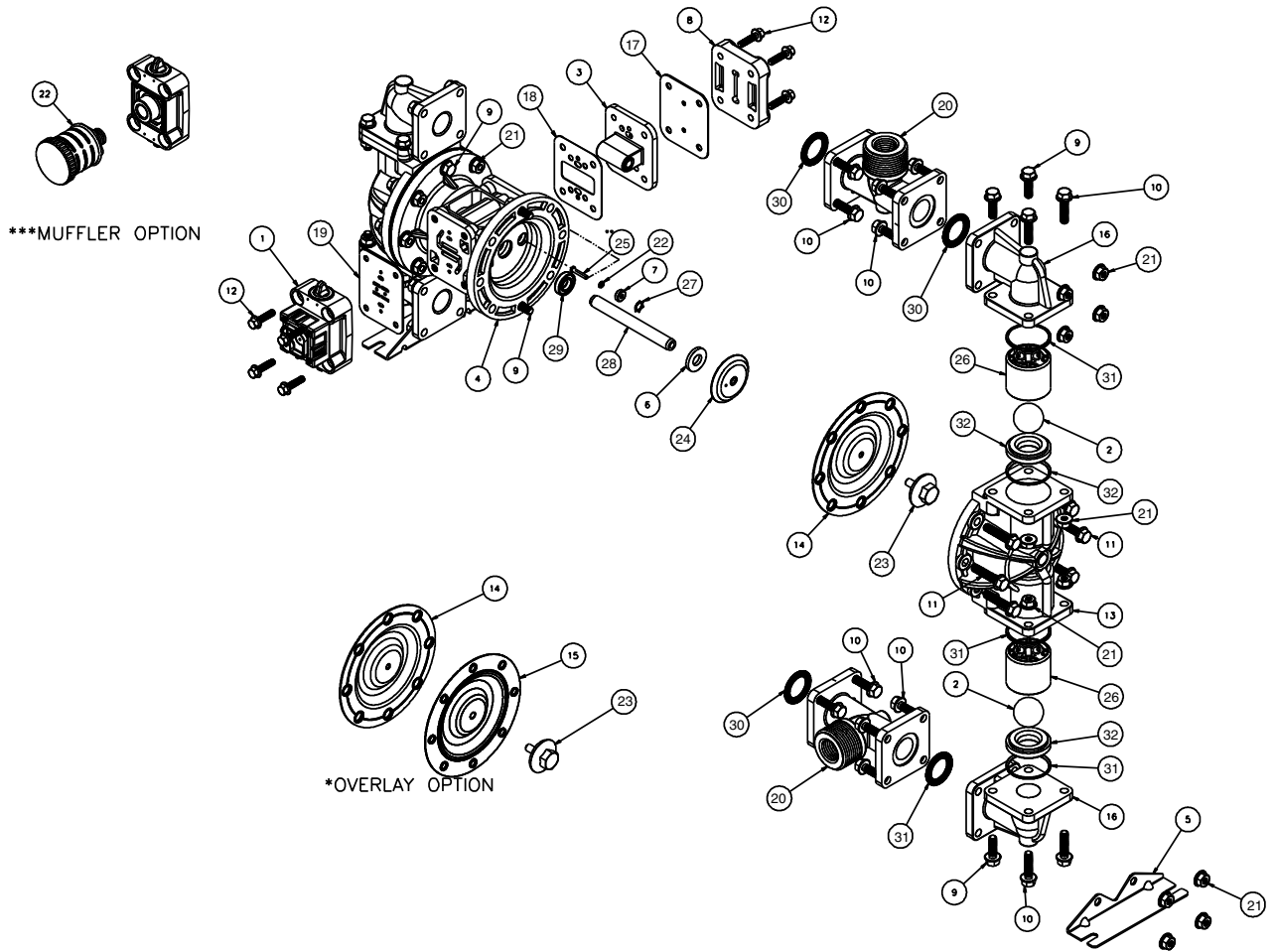
s07nmdl1sm-rev0817

Tel: 866-777-6060
Fax: 866-777-6383

Springer Pumps, LLC

Website: www.springerpumps.com
Int'l: +001 267 404 2910

Composite Repair Parts Drawing



Service & Repair Kits

476-219-000 AIR END KIT

Seals, O-rings, Gaskets, Bumpers Retaining Rings, Air Valve Assembly and Pilot Valve Assembly.

476-220-000 AIR END KIT

for pumps equipped with Stroke Indicator (same components as above, except Valve Assembly with pins replaces Air Valve Standard).

476-166-354 WETTED END KIT

Santoprene Diaphragms, Santoprene Check Balls and TFE Seals.

476-166-357 WETTED END KIT

Polyurethane Diaphragms, Polyurethane Check Balls and TFE Seals.

476-166-650 WETTED END KIT

PTFE/Santoprene Bond Diaphragm, PTFE Check Balls and PTFE Seals.

476-166-654 WETTED END KIT

Santoprene Diaphragms, TFE Overlay Diaphragm, TFE Check Balls and TFE Seals.

476-180-657 WETTED END KIT (S07T)

Santoprene Diaphragms, Nitrile Trihedral Valve Components, Nitrile Spacer Gaskets, and TFE Manifold Seals.

476-180-658 WETTED END KIT (S07T)

Santoprene Backup Diaphragms, TFE Overlay Diaphragms, FKM Trihedral Valve Components, and TFE Manifold Seals.

476.166.659 WETTED END KITS

One Piece Bonded PTFE/Nitrile Diaphragm PTFE Balss, PTFE Seats

476-180-360 WETTED END KITS (S07T)

Nitrile Diaphragms, Nitrile Trihedral Valves, PTFE Seals.

****Note:** Pumps equipped with these components are not ATEX compliant.

Composite Repair Parts List

ITEM	PART NUMBER	DESCRIPTION	QTY	
1	031-166-000	Air Valve Assembly (Integral Muffler)	1	
	031-166-002	Air Valve Assembly (with PTFE Coated Hardware)	1	
	031-167-000	Air Valve Assembly (with stroke Indicator Pins)	1	
	031-167-002	Air Valve Assembly (with Stroke Indicator Pins and PTFE Coated Hardware)	1	
	031-168-000	Air Valve Assembly (Optional Mufflers)	1	
	031-169-000	Air Valve Assembly (Stroke Indicator & Optional Mufflers)	1	
	031-176-000	Air Valve (High Temperature)	1	
	031-177-000	Air Valve (High Temperature With Mufflers)	1	
	2	050-028-354	Ball, Check Valve	4
		050-028-357	Ball, Check Valve	4
050-028-600		Ball, Check Valve	4	
050-028-760		Ball, Check	4	
3	095-091-000	Pilot Valve Assembly	1	
	095-091-003	Pilot Valve Assembly (Conductive Acetal)	1	
4	114-023-551	Bracket, Intermediate	1	
5	115-141-115	Bracket, Mounting	2	
6	132-034-360	Bumper, Diaphragm	2	
7	135-036-506	Bushing, Plunger	2	
8	165-110-551	Cap, Air Inlet	1	
9	171-062-115	Capscrew, Flanged 5/16-18 x 1.00	8	
	171-062-308	Capscrew, Flanged 5/16-18 x 1.00	8	
	171-075-115	Capscrew, Flanged 5/16-18 x 1.00	4	
10	171-063-115	Capscrew, Flanged 5/16-18 x 1.25	24	
	171-063-308	Capscrew, Flanged 5/16-18 x 1.25	24	
11	171-064-115	Capscrew, Flanged 5/16-18 x 1.50	12	
	171-064-308	Capscrew, Flanged 5/16-18 x 1.50	12	
12	171-066-115	Capscrew, Flanged 1/4-20 x 1.25	8	
	171-066-308	Capscrew, Flanged 1/4-20 x 1.25	8	
13	196-162-520	Chamber, Outer	2	
	196-162-542	Chamber, Outer	2	
	196-162-552	Chamber, Outer	2	
14	286-095-354	Diaphragm	2	
	286-095-360	Diaphragm	2	
	286-116-000	Diaphragm, One-Piece Bonded	2	
15	286-096-600	Diaphragm, Overlay	2	
16	312-107-520	Elbow	4	
	312-107-542	Elbow	4	
	312-107-552	Elbow	4	
17	360-100-360	Gasket, Air Inlet	1	
	360-100-379	Gasket, Air Inlet (Solenoid Option Only)	1	
18	360-101-360	Gasket, Pilot Valve	1	
19	360-102-360	Gasket, Air Valve	1	
20	518-139-520	Manifold (NPT)	2	
	518-139-520E	Manifold (BSPT), tapered	2	
	518-139-542	Manifold (NPT)	2	
	518-139-542E	Manifold (BSPT), tapered	2	
	518-139-552	Manifold (NPT)	2	
	518-139-552E	Manifold (BSPT), tapered	2	
21	544-005-115	Nut, Flanged 5/16-18	36	
	544-005-308	Nut, Flanged 5/16-18	36	
22	560-001-360	O-ring	2	
23	612-091-520	Plate, Outer Diaphragm	2	
	612-091-542	Plate, Outer Diaphragm	2	
	612-091-552	Plate, Outer Diaphragm	2	
24	612-177-330	Plate, Inner Diaphragm	2	
	612-221-330	Plate, Inner (use with 2 One-Piece Bonded Diaphragm Only)	2	
	620-019-115	Plunger, Actuator	2	
26	670-050-520	Retainer, Ball	4	
	670-050-542	Retainer, Ball	4	
	670-050-552	Retainer, Ball	4	
27	675-042-115	Ring, Retaining	2	
28	685-056-120	Rod, Diaphragm	1	
29	720-012-360	Seal, Diaphragm Rod	2	
30	720-046-600	Seal, Manifold	4	
31	720-051-600	Seal, Check Valve Retainer	8	
32	722-081-520	Seat, Check Valve	4	
	722-081-542	Seat, Check Valve	4	
	722-081-552	Seat, Check Valve	4	

NOT SHOWN:

535-069-000

Nameplate



SANDPIPERPUMP.COM

Model S07 Non-Metallic • 10

A WARREN RUPP, INC. BRAND

s07nmdl1sm-rev0817

Tel: 866-777-6060
Fax: 866-777-6383

Springer Pumps, LLC

Website: www.springerpumps.com
Int'l: +001 267 404 2910

3: EXP VIEW

Material Codes - The Last 3 Digits of Part Number

3: EXP VIEW

000.....Assembly, sub-assembly;
and some purchased items

010.....Cast Iron

015.....Ductile Iron

020.....Ferritic Malleable Iron

080.....Carbon Steel, AISI B-1112

110.....Alloy Type 316 Stainless Steel

111.....Alloy Type 316 Stainless Steel
(Electro Polished)

112.....Alloy C

113.....Alloy Type 316 Stainless Steel
(Hand Polished)

114.....303 Stainless Steel

115.....302/304 Stainless Steel

117.....440-C Stainless Steel (Martensitic)

120.....416 Stainless Steel
(Wrought Martensitic)

148.....Hardcoat Anodized Aluminum

150.....6061-T6 Aluminum

152.....2024-T4 Aluminum (2023-T351)

155.....356-T6 Aluminum

156.....356-T6 Aluminum

157.....Die Cast Aluminum Alloy #380

158.....Aluminum Alloy SR-319

162.....Brass, Yellow, Screw Machine Stock

165.....Cast Bronze, 85-5-5-5

166.....Bronze, SAE 660

170.....Bronze, Bearing Type,
Oil Impregnated

180.....Copper Alloy

305.....Carbon Steel, Black Epoxy Coated

306.....Carbon Steel, Black PTFE Coated

307.....Aluminum, Black Epoxy Coated

308.....Stainless Steel, Black PTFE Coated

309.....Aluminum, Black PTFE Coated

313.....Aluminum, White Epoxy Coated

330.....Zinc Plated Steel

332.....Aluminum, Electroless Nickel Plated

333.....Carbon Steel, Electroless
Nickel Plated

335.....Galvanized Steel

337.....Silver Plated Steel

351.....Food Grade Santoprene®

353.....Geolast; Color: Black

354.....Injection Molded #203-40
Santoprene® Duro 40D +/-5;
Color: RED

356.....Hytrel®

357.....Injection Molded Polyurethane

358.....Urethane Rubber
(Some Applications)
(Compression Mold)

359.....Urethane Rubber

360.....Nitrile Rubber Color coded: RED

363.....FKM (Fluorocarbon)
Color coded: YELLOW

364.....EPDM Rubber
Color coded: BLUE

365.....Neoprene Rubber
Color coded: GREEN

366.....Food Grade Nitrile

368.....Food Grade EPDM

371.....Philtane (Tuftane)

374.....Carboxylated Nitrile

375.....Fluorinated Nitrile

378.....High Density Polypropylene

379.....Conductive Nitrile

408.....Cork and Neoprene

425.....Compressed Fibre

426.....Blue Gard

440.....Vegetable Fibre

500.....Delrin® 500

502.....Conductive Acetal, ESD-800

503.....Conductive Acetal, Glass-Filled

506.....Delrin® 150

520.....Injection Molded PVDF
Natural color

540.....Nylon

542.....Nylon

544.....Nylon Injection Molded

550.....Polyethylene

551.....Glass Filled Polypropylene

552.....Unfilled Polypropylene

555.....Polyvinyl Chloride

556.....Black Vinyl

557.....Unfilled Conductive Polypropylene

558.....Conductive HDPE

559.....Glass Filled - Conductive Polypropylene

558.....Conductive HDPE

570.....Rulon II®

580.....Ryton®

600.....PTFE (virgin material)
Tetrafluorocarbon (TFE)

603.....Blue Gylon®

604.....PTFE

606.....PTFE

607.....Envelon

608.....Conductive PTFE

610.....PTFE Encapsulated Silicon

611.....PTFE Encapsulated FKM

632.....Neoprene/Hytrel®

633.....FKM/PTFE

634.....EPDM/PTFE

635.....Neoprene/PTFE

637.....PTFE, FKM/PTFE

638.....PTFE, Hytrel®/PTFE

639.....Nitrile/TFE

643.....Santoprene®/EPDM

644.....Santoprene®/PTFE

656.....Santoprene® Diaphragm and
Check Balls/EPDM Seats

661.....EPDM/Santoprene®

666.....FDA Nitrile Diaphragm,
PTFE Overlay, Balls, and Seals

668.....PTFE, FDA Santoprene®/PTFE

760.....UL Listed Nitrile

• Delrin and Hytrel are registered
tradenames of E.I. DuPont.

• Nylatron is a registered tradename
of Polymer Corp.

• Gylon is a registered tradename
of Garlock, Inc.

• Santoprene is a registered tradename
of Exxon Mobil Corp.

• Rulon II is a registered tradename
of Dixon Industries Corp.

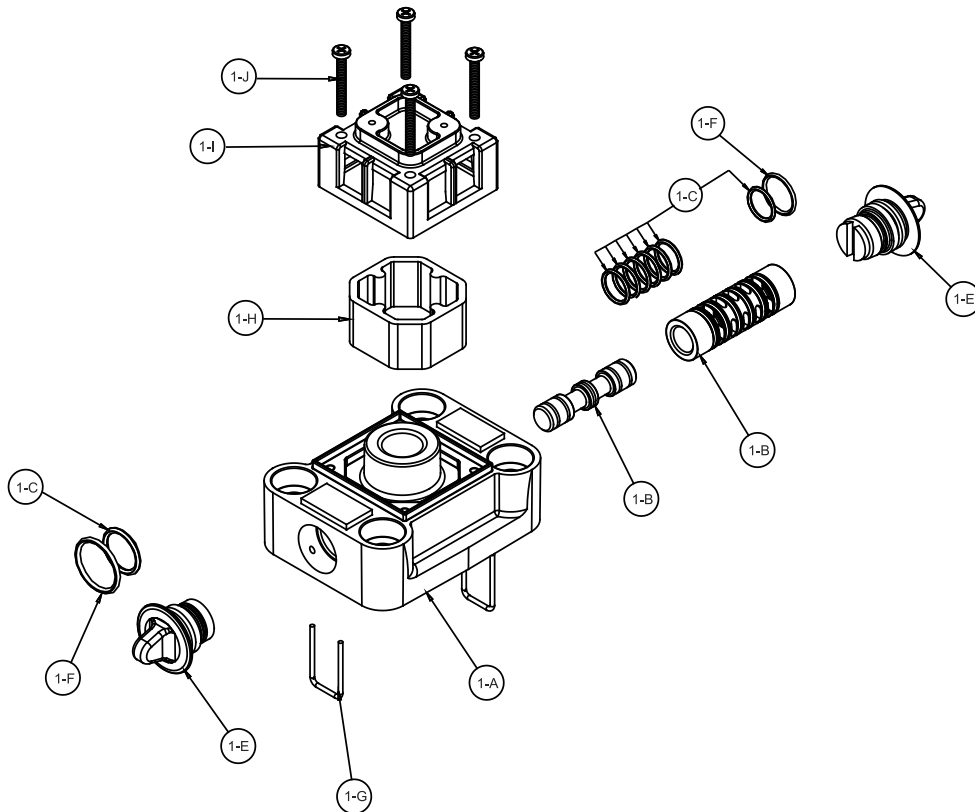
• Ryton is a registered tradename
of Phillips Chemical Co.

• Valox is a registered tradename
of General Electric Co.

RECYCLING

Many components of SANDPIPER® AOOD pumps are made of recyclable materials. We encourage pump users to recycle worn out parts and pumps whenever possible, after any hazardous pumped fluids are thoroughly flushed.

Air Distribution Valve Assembly



MAIN AIR VALVE ASSEMBLY PARTS LIST

Item	Part Number	Description	Qty
1	031-166-000	Air Valve Assembly	1
1-A	095-106-551	Body, Air Valve	1
1-B	031-132-000	Sleeve and Spool Set	1
1-C	560-101-360	O-Ring	8
1-E	165-122-551	End Cap	2
1-F	560-026-360	O-Ring	2
1-G	675-062-115	End Cap Retainer	2
1-H	530-031-550	Muffer	1
1-I	165-109-551	Muffer Cap	1
1-J	710-011-115	Self-Tapping Screw	4

For Pumps with Virgin PTFE coated hardware:

1	031-166-002	Air Valve Assembly	1
1-G	675-062-308	End Cap Retainer	2
1-J	710-011-308	Self Tapping Screw	4

(Includes all other items used on 031-166-000 above)

For Pumps with alternate Mesh or Sound Dampening Mufflers or Piped Exhaust:

1	031-168-000	Air Valve Assembly	1
---	-------------	--------------------	---

(Includes all items used on 031-166-000 above minus 1-H, 1-I and 1-J)

****Note: Pumps equipped with this valve assembly are not ATEX compliant.**

IMPORTANT



Read these instructions completely, before installation and start-up. It is the responsibility of the purchaser to retain this manual for reference. Failure to comply with the recommendations stated in this manual will damage the pump, and void factory warranty.



ATEX Compliant

Air Distribution Valve Assembly

AIR DISTRIBUTION VALVE SERVICING

To service the air valve first shut off the compressed air, bleed pressure from the pump, and disconnect the air supply line from the pump.

STEP #1: See COMPOSITE REPAIR PARTS DRAWING.

Using a 3/8" wrench or socket, remove the four hex flanged capscrews (item 12). Remove the air valve assembly from the pump.

STEP #2: Disassembly of the air valve.

To access the internal air valve components first remove the two end cap retainers (item 1-G) by inserting a small flat screwdriver into the two slotted grooves on the valve body and gently lifting the retainers out.

Next remove the two end caps (item 1-E) by grasping the pull tab with finger and thumb or pliers and tugging. Inspect the two o-rings (items 1-C and 1-F) on each end cap for wear or cuts. Replace the o-rings if necessary.

Remove the spool (part of item 1-B) from the sleeve. Be careful not to scratch or damage the outer diameter of the spool. Wipe spool with a soft clean cloth and inspect for scratches or abrasive wear.

Inspect the inner diameter of the sleeve (part of item 1-B) for dirt, scratches, or other contaminants. Remove the sleeve if needed and replace with a new sleeve and spool set (item 1-B). **Note:** The sleeve and spool set is match-ground to a specified clearance. Sleeves and spools cannot be interchanged.

STEP #3: Reassembly of the air distribution valve.

Install one end cap with o-rings (items 1-E, 1-C, and 1-F) into one end of the air valve body (item 1-A). Insert one end cap retainer (item 1-G) into the two smaller holes, align with groove in the end cap, and push until the closed end of the retainer is below the flat surface of the valve body.

Remove the new sleeve and spool set (item 1-B) from the plastic bag. Carefully remove the spool from the sleeve. Install the six o-rings (item 1-C) into the six grooves on the sleeve. Apply a light coating of grease to the o-rings before installing the sleeve into the valve body. Align the slots in the sleeve with the slots in the valve body. Insert the spool into the sleeve. Be careful not to scratch or damage the spool during installation. Push the spool in until the pin touches the end cap on the opposite end.

Install the remaining end cap with o-rings and retainer.

Fasten the air valve assembly (item 1) and gasket (item 23) to the pump, using the four hex flanged capscrews (item 12).

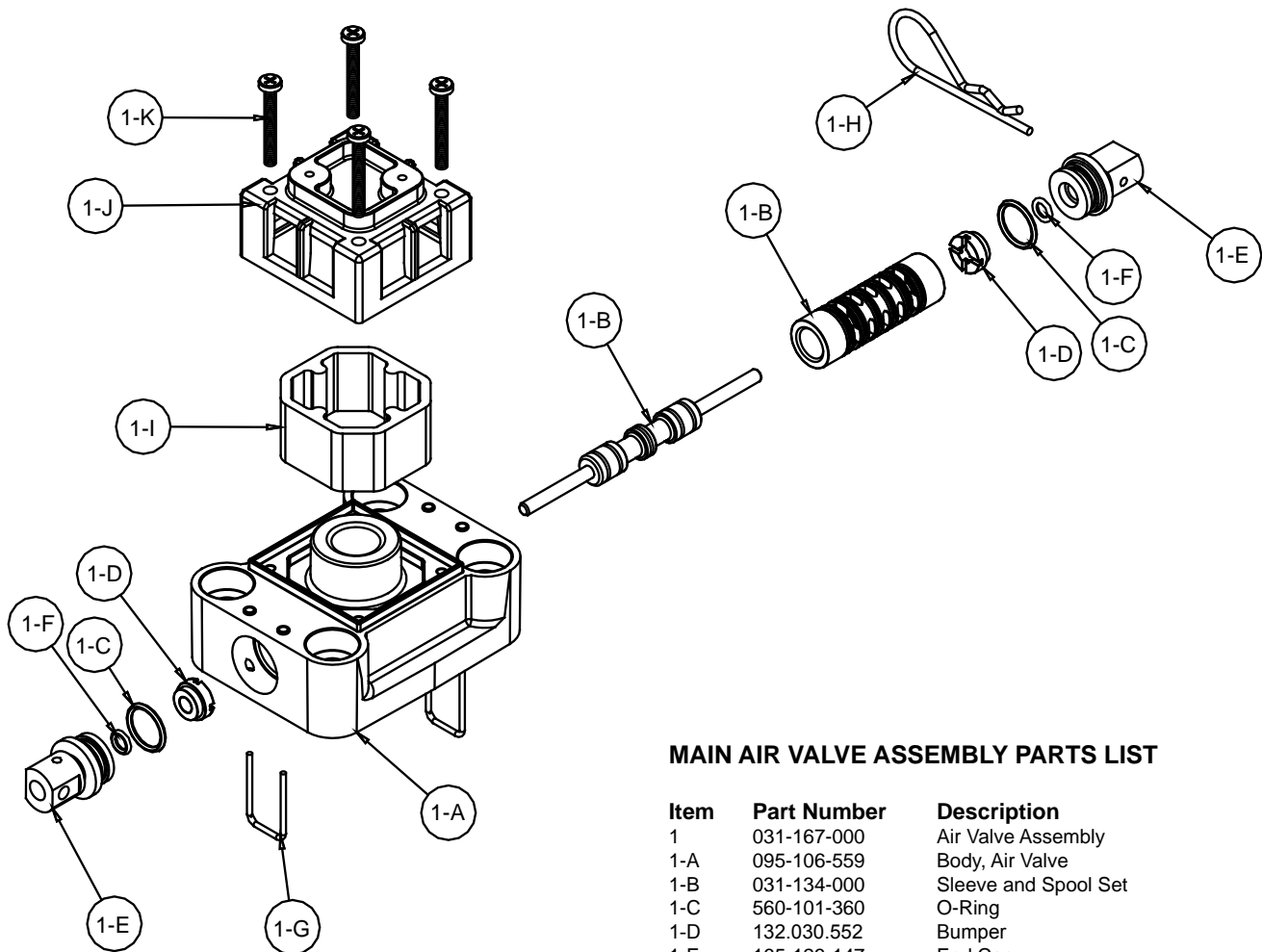
Connect the compressed air line to the pump. The pump is now ready for operation.

4: AIR END



Air Valve with Stroke Indicator Assembly

Note: Stroke Indicator is standard on Spill Containment models



MAIN AIR VALVE ASSEMBLY PARTS LIST

Item	Part Number	Description	Qty
1	031-167-000	Air Valve Assembly	1
1-A	095-106-559	Body, Air Valve	1
1-B	031-134-000	Sleeve and Spool Set	1
1-C	560-101-360	O-Ring	8
1-D	132.030.552	Bumper	2
1-E	165-123-147	End Cap	2
1-F	560-029-360	O-Ring	2
1-G	675-062-115	End Cap Retainer	2
1-H	210-008-330	Safety Clip	1
1-I	530-031-550	Muffer	1
1-J	165-109-559	Muffer Cap	1
1-K	710-011-115	Self-Tapping Screw	4

For Pumps with Virgin PTFE coated hardware:

1	031-167-002	Air Valve Assembly	1
1-G	675-062-308	End Cap Retainer	2
1-J	710-011-308	Self Tapping Screw	4

(Includes all other items used on 031-166-000 above)

For Pumps with alternate Mesh or Sound Dampening Mufflers or Piped Exhaust:

1	031-169-000	Air Valve Assembly	1
---	-------------	--------------------	---

(Includes all items used on 031-167-000 above minus 1-H, 1-I and 1-J)

 **ATEX Compliant**



SANDPIPER
A WARREN RUPP, INC. BRAND

SANDPIPERPUMP.COM

s07nmdl1sm-rev0817

Model S07 Non-Metallic • 14

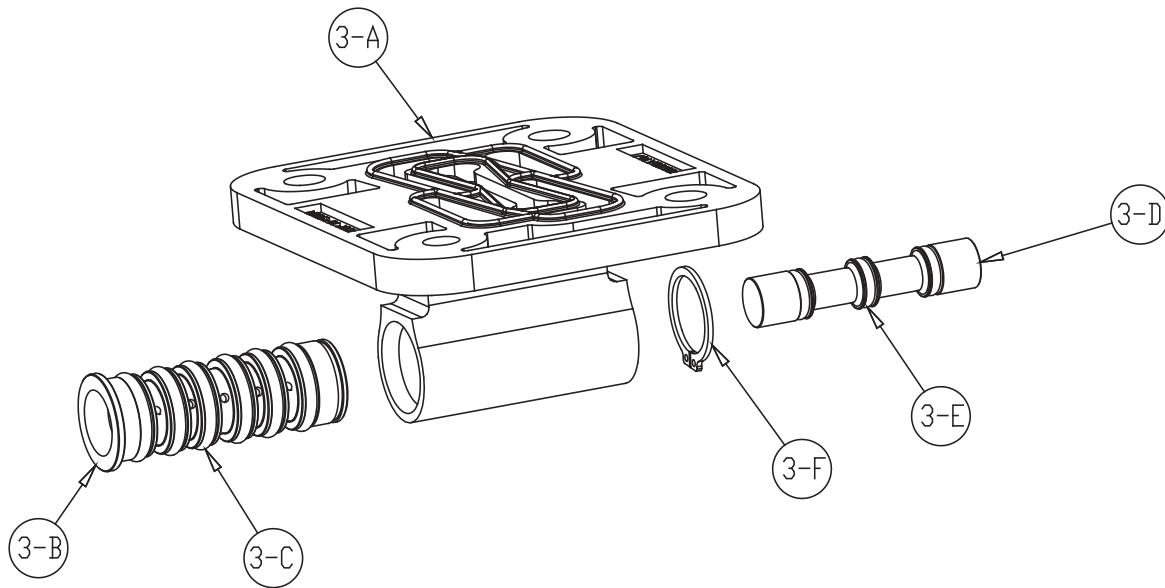
Tel: 866-777-6060
Fax: 866-777-6383

Springer Pumps, LLC

Website: www.springerpumps.com
Int'l: +001 267 404 2910

4: AIR END

Pilot Valve Assembly



PILOT VALVE ASSEMBLY PARTS LIST

ITEM	PART NUMBER	DESCRIPTION	QTY
3	095-091-000	Pilot Valve Assembly	1
3-A	095-087-551	Valve Body	1
3-B	755-051-000	Sleeve (With O-rings)	1
3-C	560-033-360	O-ring (Sleeve)	6
3-D	775-055-000	Spool (With O-rings)	1
3-E	560-023-360	O-ring (Spool)	3
3-F	675-037-080	Retaining Ring	1

4: AIR END

PILOT VALVE SERVICING

To service the pilot valve first shut off the compressed air supply, bleed the pressure from the pump, and disconnect the air supply line from the pump.

STEP #1: See pump assembly drawing.

Using a 7/16" wrench or socket, remove the four capscrews (item 12). Remove the air inlet cap (item 8) and air inlet gasket (item 18). The pilot valve assembly (item 3) can now be removed for inspection and service.

STEP #2: Disassembly of the pilot valve.

Remove the pilot valve spool (item 3-D). Wipe clean and inspect spool and o-rings for dirt, cuts or wear. Replace the o-rings and spool if necessary.

Remove the retaining ring (item 3-F) from the end of the sleeve (item 3-B) and remove the sleeve from the valve body (item 3-A). Wipe clean and inspect sleeve and o-rings for dirt, cuts or wear. Replace the o-rings and sleeve if necessary.

STEP #3: Re-assembly of the pilot valve.

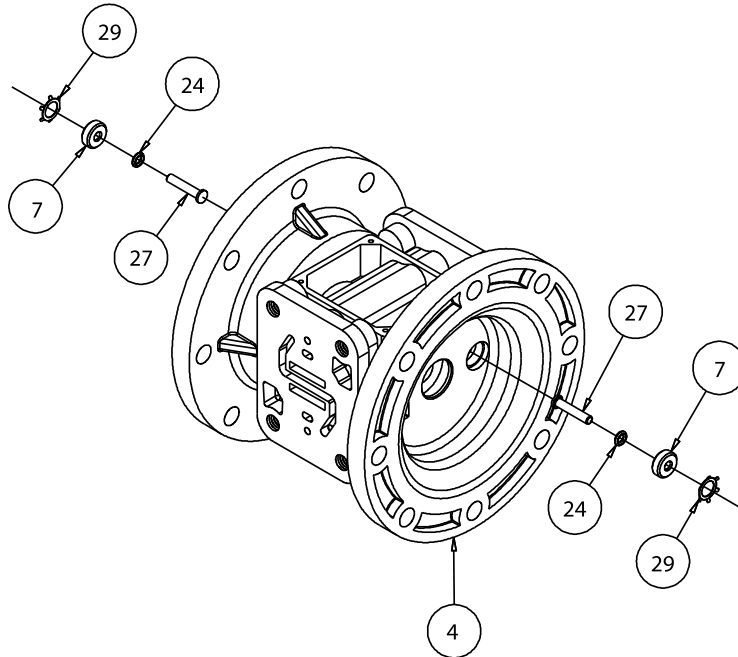
Generously lubricate outside diameter of the sleeve and o-rings. Then carefully insert sleeve into valve body. Take CAUTION when inserting sleeve, not to shear any o-rings. Install retaining ring to sleeve. Generously lubricate outside diameter of spool and o-rings. Then carefully insert spool into sleeve. Take CAUTION when inserting spool, not to shear any o-rings. Use BP-LS-EP-2 multipurpose grease, or equivalent.

STEP #4: Re-install the pilot valve assembly into the intermediate.

Be careful to align the ends of the pilot valve stem between the plunger pins when inserting the pilot valve into the cavity of the intermediate.

Re-install the gasket, air inlet cap and capscrews. Connect the air supply to the pump. The pump is now ready for operation.

Intermediate Assembly



Step #1: See PUMP ASSEMBLY DRAWING.
Using a 3/8" wrench or socket, remove the four capscrews (items 12). Remove the air inlet cap (item 8) and air inlet gasket (item 20). The pilot valve assembly (item 3) can now be removed.

Step #2: Servicing the actuator plungers.
See PUMP ASSEMBLY DRAWING.
The actuator plungers (items 27) can be reached through the stem cavity of the pilot valve in the intermediate bracket (item 4). To service bushings, o-rings and retaining rings, see Intermediate Drawing.
Remove the plungers (items 27) from the bushings (item 7) in each end of the intermediate cavity. Inspect for wear or damage. Replace plunger as needed. Apply a light coating of grease to each o-ring and re-install the plungers in to the bushings. Push the plungers in as far as they will go.

Step #3: Re-install the pilot valve assembly into the intermediate assembly.
Be careful to align the ends of the stem between the plungers when inserting the stem of the pilot valve into the cavity of the intermediate. Re-install the gasket (item 20) air inlet cap (item 8) and capscrews (items 12).
Connect the air supply to the pump. The pump is now ready for operation.


PLUNGER BUSHING, O-RING, AND RETAINING RING SERVICING
To service the plunger bushing components first remove the two retaining rings (items 29) using a small flat screwdriver. *Note: It is recommended that new retaining rings be installed.
Next remove the two plunger bushings (items 7). Inspect the bushings for wear or scratches. Replace the bushings as necessary.
Inspect the two o-rings (24) for cuts and/or wear.

INTERMEDIATE ASSEMBLY REPAIR PARTS LIST

ITEM	PART NUMBER	DESCRIPTION	QTY
4	114-023-551	Bracket, Intermediate	1
7	135-036-506	Bushing, Plunger	2
24	560-001-360	O-Ring	2
27	620-019-115	Plunger, Actuator	2
29	675-042-115	Ring, Retaining*	2

***NOTE:** It is recommended that when plunger components are serviced, new retaining rings be installed.

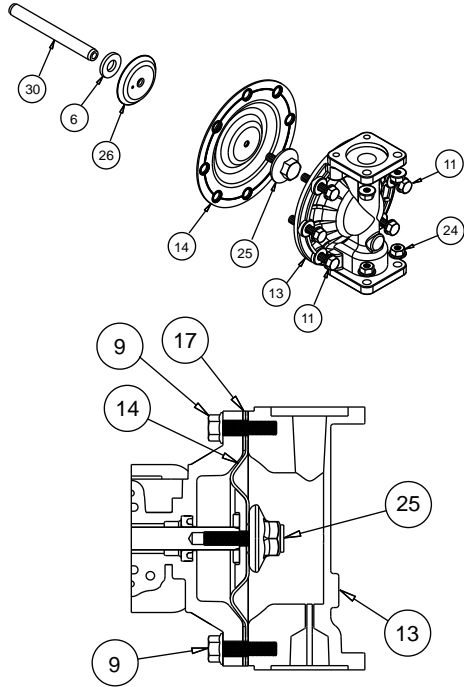
⚠ IMPORTANT



When the pumped product source is at a higher level than the pump (flooded suction condition), pipe the exhaust higher than the product source to prevent siphoning spills. In the event of a diaphragm failure a complete rebuild of the center section is recommended.

4: AIR END

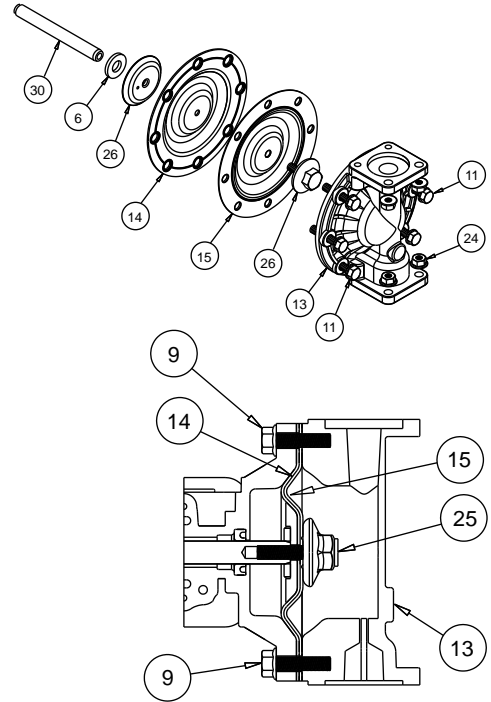
Diaphragm Service Drawing



Diaphragm Orientation

Install diaphragm and spacer as shown above.

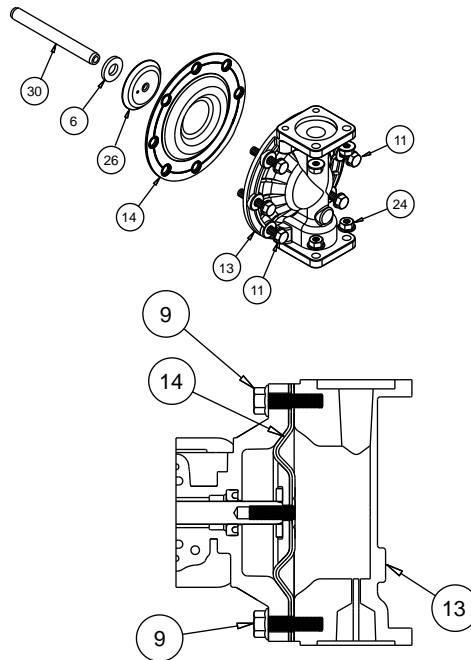
Diaphragm Service Drawing, with Overlay



Diaphragm Orientation

Install diaphragm and overlay as shown above.

Diaphragm Service Drawing with One-Piece Bonded



Diaphragm Orientation

Install diaphragm (286-116-000 only) as shown above.

5: WET END



Diaphragm Servicing

To service the diaphragms first shut off the suction, then shut off the discharge lines to the pump. Shut off the compressed air supply, bleed the pressure from the pump, and disconnect the air supply line from the pump. Drain any remaining liquid from the pump.

Step #1: See the pump composite repair parts drawing, and the diaphragm servicing illustration.

Using a 1/2" wrench or socket, remove the 16 capscrews (items 9 & 10), and nuts that fasten the elbows (items 16) to the outer chambers (items 13). Remove the elbows with the manifolds and spacers attached.

Step #2: Removing the outer chambers.

Using a 1/2" wrench or socket, remove the 16 capscrews (items 9 and 11), and nuts that fasten the outer chambers, diaphragms, and intermediate bracket (item 4) together.

Step #3: Removing the diaphragm assemblies.

Use a 3/4" wrench or six pointed socket to remove the diaphragm assemblies (outer plate, diaphragm, and inner plate) from the diaphragm rod (item 30) by turning counterclockwise.

Insert a 6-32 set screw into the smaller tapped hole in the inner diaphragm plate (item 26). Insert the protruding stud and the 6-32 fastener loosely into a vise. Use a 3/4" wrench or socket to remove the outer diaphragm plate (item 25) by turning counterclockwise. Inspect the diaphragm (item 14) for cuts, punctures, abrasive wear or chemical attack. Replace the diaphragms if necessary.

Step #4: Installing the diaphragms.

Push the threaded stud of the outer diaphragm plate through the center hole of the diaphragm. Thread the inner plate clockwise onto the stud. Use a torque wrench to tighten the diaphragm assembly together to 90 in lbs. (10.17 Newton meters) 120 in lbs Santoprene (13.56 Newton meters). Allow a minimum of 15 minutes to elapse after

torquing, then re-torque the assembly to compensate for stress relaxation in the clamped assembly.

Step #5: Installing the diaphragm assemblies to the pump.

Make sure the bumper (item 6) is installed over the diaphragm rod.

Thread the stud of the one diaphragm assembly clockwise into the tapped hole at the end of the diaphragm rod (item 30) until the inner diaphragm plate is flush to the end of the rod. Insert rod into pump.

Align the bolt holes in the diaphragm with the bolt pattern in the intermediate bracket (item 4). Make sure the molded directional arrows on the diaphragm point vertically.

Fasten the outer chamber (item 13) to the pump, using the capscrews (items 9 & 11), hex nuts and flat washers.

On the opposite side of the pump, pull the diaphragm rod out as far as possible. Make sure the bumper (item 6) is installed over the diaphragm rod.

Thread the stud of the remaining diaphragm assembly clockwise into the tapped hole at the end of the diaphragm rod (item 30) as far as possible and still allow for alignment of the bolt holes in the diaphragm with the bolt pattern in the inner chamber. The molded directional arrows on the diaphragm must point vertically.

Fasten the remaining outer chamber (item 13) to the pump, using the capscrews (items 9 and 11) and hex nuts.

Step #6: Re-install the elbow/spacer/manifold assemblies to the pump, using the capscrews (items 9 & 10) and hex nuts.

The pump is now ready to be re-installed, connected and returned to operation.

OVERLAY DIAPHRAGM SERVICING

The PTFE overlay diaphragm (item 15) is designed to fit snugly over the exterior of the standard TPE diaphragm (item 14).

The molded directional arrows on the overlay diaphragm must point vertically.

Follow the same procedures described for the standard diaphragm for removal and installation.

Follow the same procedures described for the standard diaphragm for removal and installation. **Note:** The One-Piece Bonded diaphragm is installed in the direction as shown in the lower right illustration above.

ONE PIECE DIAPHRAGM SERVICING (Bonded PTFE with integral plate)

The One Piece diaphragm has a threaded stud installed in the integral plate at the factory. The inner diaphragm plate has a through hole instead of a threaded hole.

Place the inner plate over the diaphragm stud and thread the first diaphragm / inner plate onto the diaphragm rod only until the inner plate contacts the rod. Do not tighten.

A small amount of grease may be applied between the inner plate and the diaphragm to facilitate assembly.

Insert the diaphragm / rod assembly into the pump and install the outer chamber. Turn the pump over and thread the second diaphragm / inner plate onto the diaphragm rod. Turn diaphragm until the inner plate contacts the rod and hand tighten the assembly. Continue tightening until the bolt holes align with the inner chamber holes. **NOT LEAVE THE ASSEMBLY LOOSE.**

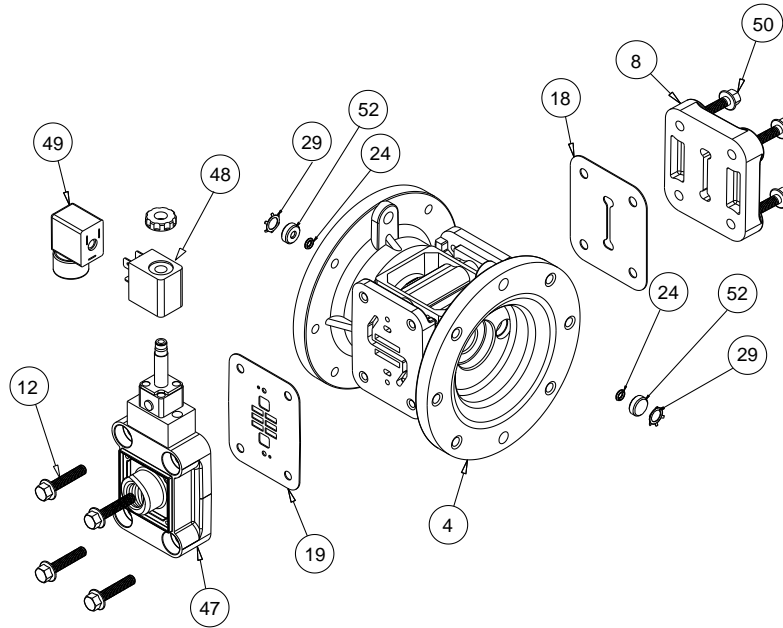
5: WET END

IMPORTANT



Read these instructions completely, before installation and start-up. It is the responsibility of the purchaser to retain this manual for reference. Failure to comply with the recommendations stated in this manual will damage the pump, and void factory warranty.

Solenoid Shifted Air Valve



DISTRIBUTION VALVE OPTION

Warren Rupp's solenoid shifted, air distribution valve option utilizes electrical signals to precisely control your SANDPIPER's speed. The solenoid coil is connected to a customer - supplied control. Compressed air provides the pumping power, while electrical signals control pump speed (pumping rate).

OPERATION

The Solenoid Shifted SANDPIPER has a solenoid operated, air distribution valve in place of the standard SANDPIPER's pilot operated, air distribution valve. Where a pilot valve is normally utilized to cycle the pump's air distribution valve, an electric solenoid is utilized. As the solenoid is powered, one of the pump's air chambers is pressurized while the other chamber is exhausted. When electric power is turned off, the solenoid shifts and the pressurized chamber is exhausted while the other chamber is pressurized. By alternately applying and removing power to the solenoid, the pump cycles much like a standard SANDPIPER pump, with one exception. This option provides a way to precisely control and monitor pump speed.

SOLENOID SHIFTED AIR VALVE PARTS LIST

ITEM	PART NUMBER	DESCRIPTION	QTY
4	114-023-551	Bracket, Intermediate	1
47	893-099-000	Solenoid Valve, NEMA4	1
48	219-001-000	Solenoid Coil, 24VDC	1
	219-004-000	Solenoid Coil, 24VAC/12VDC	1
	219-002-000	Solenoid Coil, 120VAC	1
	219-003-000	Solenoid Coil, 240VAC	1
49	241-001-000	Connector, Conduit	1
50	171-065-115	Capscrew, Flanged 1/4-20 x 1.00	4
52	618-050-150	Plug (Replaces item 7)	2

For Explosion Proof Solenoid Coils:

48	219-009-001	Solenoid Coil, 120VAC 60Hz	1
	219-009-002	Solenoid Coil, 240VAC 60Hz	1
	219-009-003	Solenoid Coil, 12VDC	1
	219-009-004	Solenoid Coil, 24VDC	1
	219-009-005	Solenoid Coil, 110VAC 50Hz	1
	219-009-006	Solenoid Coil, 230VAC 50Hz	1

6: OPTIONAL

BEFORE INSTALLATION

Before wiring the solenoid, make certain it is compatible with your system voltage.

*Special Conditions For Safe Use

A fuse corresponding to its rated current (max. $3I_{rated}$ according IEC 60127-2-1) or a motor protecting switch with short-circuit and thermal instantaneous tripping (set to rated current) shall be connected in series to each solenoid as short circuit protection. For very low rated currents of the solenoid the fuse of lowest current value according to the indicated IEC standard will be sufficient. The fuse may be accommodated in the associated supply unit or shall be separately arranged. The rated voltage to the fuse shall be equal to or greater than the stated rated voltage of the magnet coil. The breakage capacity of the fuse-link shall be as high as or higher than the maximum expected short circuit current at the location of the installation (usually 1500 A). A maximum permissible ripple of 20% is valid for all magnets of direct-current design.



II 2G EEx m c II T5
II 2D c IP65 T100°C



For ATEX Compliant Solenoid Coils used in the European Union

39	219-011-001	Solenoid Coil, Single mounting 12 VDC, 3.3W / 267mA	1
	219-011-002	Solenoid Coil, Single mounting 24 VDC, 3.3W / 136mA	1
	219-011-003	Solenoid Coil, Single mounting 110/120 VAC, 3.4W / 29mA	1
	219-011-004	Solenoid Coil, Single mounting 220/240 VAC, 3.4W / 15mA	1

Note: Item 35 (Conduit Connector) is not required

Compressed Air Temperature Range: Maximum Ambient Temperature to plus 50°C

5 - YEAR Limited Product Warranty

Warren Rupp, Inc. ("Warren Rupp") warrants to the original end-use purchaser that no product sold by Warren Rupp that bears a Warren Rupp brand shall fail under normal use and service due to a defect in material or workmanship within five years from the date of shipment from Warren Rupp's factory. Warren Rupp brands include Warren Rupp®, SANDPIPER®, SANDPIPER Signature Series™, MARATHON®, Porta-Pump®, SludgeMaster™ and Tranquilizer®.

The use of non-OEM replacement parts will void (or negate) agency certifications, including CE, ATEX, CSA, 3A and EC1935 compliance (Food Contact Materials). Warren Rupp, Inc. cannot ensure nor warrant non-OEM parts to meet the stringent requirements of the certifying agencies.

~ See sandpiperpump.com/content/warranty-certifications for complete warranty, including terms and conditions, limitations and exclusions. ~

**WARREN
RUPP, INC.**

Declaration of Conformity

**Manufacturer: Warren Rupp, Inc., 800 N. Main Street
Mansfield, Ohio, 44902 USA**

Certifies that Air-Operated Double Diaphragm Pump Series: HDB, HDF, M Non-Metallic, S Non-Metallic, M Metallic, S Metallic, T Series, G Series, U Series, EH and SH High Pressure, RS Series, W Series, SMA and SPA Submersibles, and Tranquilizer® Surge Suppressors comply with the European Community Directive 2006/42/EC on Machinery, according to Annex VIII. This product has used Harmonized Standard EN809:1998+A1:2009, Pumps and Pump Units for Liquids - Common Safety Requirements, to verify conformance.


Signature of authorized person

October 20, 2005
Date of issue

Authorised Representative:
IDEX Pump Technologies
R79 Shannon Industrial Estate
Shannon, Co. Clare, Ireland

Director of Engineering
Title

Attn: Barry McMahon

February 27, 2017
Date of revision

Revision Level: F

CE



7. WARRANTY