

# SERVICE & OPERATING MANUAL

## Original Instructions

### Certified Quality



Quality System  
ISO 9001 Certified



Environmental Management System  
ISO 14001 Certified



# EAC

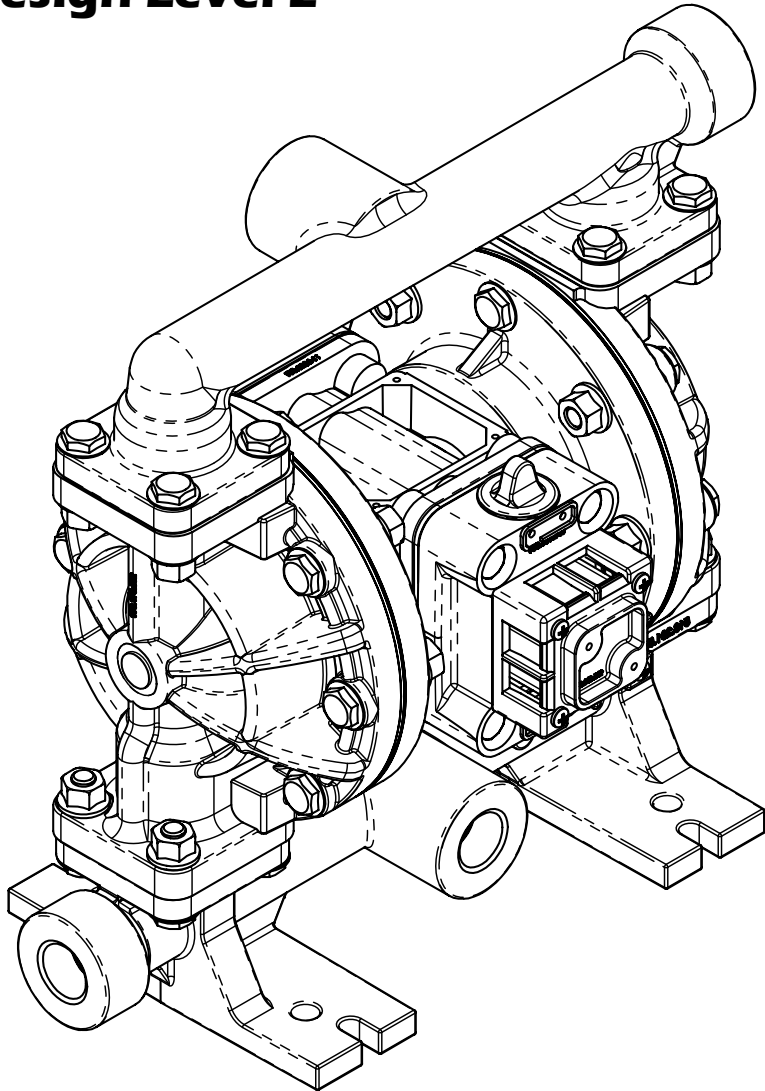
Warren Rupp, Inc.  
A Unit of IDEX Corporation  
800 N. Main St.,  
Mansfield, Ohio 44902 USA  
Telephone 419.524.8388  
Fax 419.522.7867  
SANDPIPERPUMP.COM



© Copyright 2016 Warren Rupp, Inc.  
All rights reserved

# Model S05

## Non-Metallic Design Level 2



1: PUMP SPECS

2: INSTAL & OP

3: EXP VIEW

4: AIR END

5: WET END

6: OPTIONAL

7: WARRANTY

# SANDPIPER®

A WARREN RUPP, INC. BRAND

SANDPIPERPUMP.COM

# Safety Information

## IMPORTANT



Read the safety warnings and instructions in this manual before pump installation and start-up. Failure to comply with the recommendations stated in this manual could damage the pump and void factory warranty.



When the pump is used for materials that tend to settle out or solidify, the pump should be flushed after each use to prevent damage. In freezing temperatures the pump should be completely drained between uses.

## CAUTION



Before pump operation, inspect all fasteners for loosening caused by gasket creep. Retighten loose fasteners to prevent leakage. Follow recommended torques stated in this manual.



Nonmetallic pumps and plastic components are not UV stabilized. Ultraviolet radiation can damage these parts and negatively affect material properties. Do not expose to UV light for extended periods of time.



**WARNING**  
Pump not designed, tested or certified to be powered by compressed natural gas. Powering the pump with natural gas will void the warranty.

## WARNING



When used for toxic or aggressive fluids, the pump should always be flushed clean prior to disassembly.



Before maintenance or repair, shut off the compressed air line, bleed the pressure, and disconnect the air line from the pump. Be certain that approved eye protection and protective clothing are worn at all times. Failure to follow these recommendations may result in serious injury or death.



Airborne particles and loud noise hazards. Wear eye and ear protection.



In the event of diaphragm rupture, pumped material may enter the air end of the pump, and be discharged into the atmosphere. If pumping a product that is hazardous or toxic, the air exhaust must be piped to an appropriate area for safe containment.



Take action to prevent static sparking. Fire or explosion can result, especially when handling flammable liquids. The pump, piping, valves, containers and other miscellaneous equipment must be properly grounded.



This pump is pressurized internally with air pressure during operation. Make certain that all fasteners are in good condition and are reinstalled properly during reassembly.



Use safe practices when lifting

## Grounding ATEX Pumps



ATEX compliant pumps are suitable for use in explosive atmospheres when the equipment is properly grounded in accordance with local electrical codes. Pumps equipped with electrically conductive diaphragms are suitable for the transfer of conductive or non-conductive fluids of any explosion group. When operating pumps equipped with non-conductive diaphragms that exceed the maximum permissible projected area, as defined in EN 13463-1: 2009 section 6.7.5 table 9, the following protection methods must be applied:

- Equipment is always used to transfer electrically conductive fluids or
- Explosive environment is prevented from entering the internal portions of the pump, i.e. dry running

For further guidance on ATEX applications, please consult the factory.

# Table of Contents

## **SECTION 1: PUMP SPECIFICATIONS.....1**

- Nomenclature
- Performance
- Materials
- Dimensional Drawings

## **SECTION 2: INSTALLATION & OPERATION.....4**

- Principle of Pump Operation
- Typical Installation Guide
- Troubleshooting

## **SECTION 3: EXPLODED VIEW .....7**

- Composite Drawings
- Parts List
- Materials Code

## **SECTION 4: AIR END.....10**

- Air Distribution Valve Assembly
- Air Valve with Stroke Indicator Option
- Pilot Valve
- Intermediate Assembly

## **SECTION 5: WET END .....14**

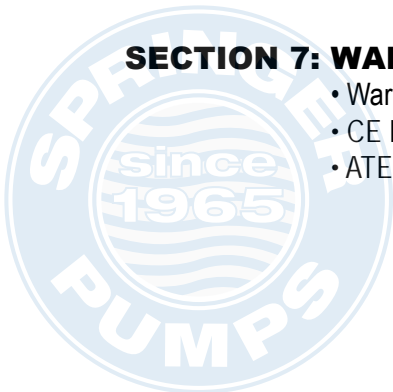
- Diaphragm Drawing
- Diaphragm Servicing

## **SECTION 6: OPTIONAL CONFIGURATIONS....16**

- Solenoid Shifted Air Valve
- Dual Port

## **SECTION 7: WARRANTY & CERTIFICATES ....18**

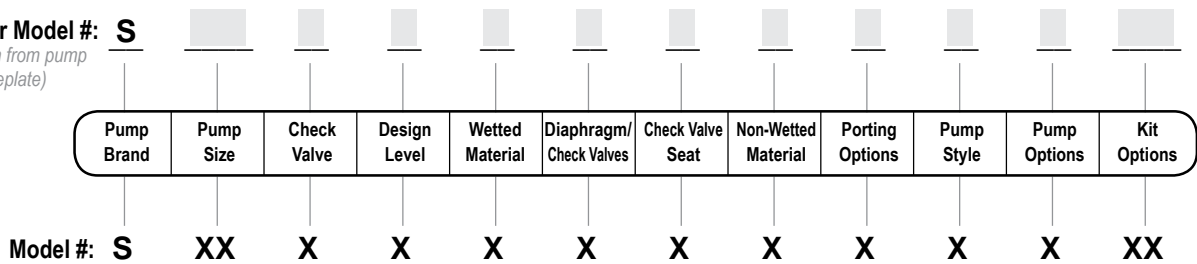
- Warranty
- CE Declaration of Conformity - Machinery
- ATEX Declaration of Conformity



# Explanation of Pump Nomenclature

1: PUMP SPECS

Your Model #: **S**  
(fill in from pump nameplate)



**Pump Brand**  
S SANDPIPER®

**Pump Size**  
05 1/2"

**Check Valve Type**  
B Soild Ball

**Design Level**  
2 Design Level

**Wetted Material**  
K PVDF  
N Nylon  
P Polypropylene  
C Conductive Polypropylene  
V Conductive PVDF

**Diaphragm/Check Valve Materials**  
1 Santoprene/Santoprene Backup/Virgin PTFE  
2 Virgin PTFE/Santoprene Backup/Virgin PTFE  
B Nitrile/Nitrile  
U Polyurethane/Polyurethane  
Z One-Piece Bonded/PTFE

**Check Valve Seat**  
S Stainless Steel  
T Virgin PTFE

**Non-Wetted Material Options**  
P Polypropylene  
1 Polypropylene w/PTFE Coated Hardware  
C Conductive Polypropylene

**Porting Options**  
N NPT Threads  
B BSP (Tapered) Threads  
1 Dual Porting (NPT)  
2 Top Dual Porting (NPT)  
3 Bottom Dual Porting (NPT)  
4 Dual Porting (BSP Tapered)  
5 Top Dual Porting (BSP Tapered)  
6 Bottom Dual Porting (BSP Tapered)

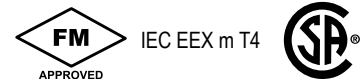
**Pump Style**  
S Standard  
I Inline Porting NPT Threads

**Pump Options**  
0 None  
6 Metal Muffler

**Kit Options**  
00. None  
P0. 10.30VDC Pulse Output Kit  
P1. Intrinsically-Safe 5.30VDC, 110/120VAC 220/240 VAC Pulse Output Kit  
P2. 110/120 or 220/240VAC Pulse Output Kit  
E0. Solenoid Kit with 24VDC Coil  
E1. Solenoid Kit with 24VDC Explosion-Proof Coil  
E2. Solenoid Kit with 24VAC/12VDC Coil  
E3. Solenoid Kit with 12VDC Explosion-Proof Coil

**Kit Options (cont.)**  
E4. Solenoid Kit with 110VAC Coil  
E5. Solenoid Kit with 110VAC Explosion-Proof Coil  
E6. Solenoid Kit with 220VAC Coil  
E7. Solenoid Kit with 220VAC Explosion-Proof Coil  
E8. Solenoid Kit with 110VAC, 50 Hz Explosion-Proof Coil  
E9. Solenoid Kit with 230VAC, 50 Hz Explosion-Proof Coil  
SP. Stroke Indicator Pins

- A1. Solenoid Kit with 12 VDC ATEX Compliant Coil
- A2. Solenoid Kit with 24 VDC ATEX Compliant Coil
- A3. Solenoid Kit with 110/120 VAC 50/60 Hz ATEX Compliant Coil
- A4. Solenoid Kit with 220/240 VAC 50/60 Hz ATEX Compliant Coil



**Note:** Pump models equipped with these explosion-proof solenoid kit options E1, E3, E5, E7, E8 or E9, are certified and approved by the above agencies. They are NOT ATEX compliant.

Your Serial #: (fill in from pump nameplate) \_\_\_\_\_

**Special Conditions For Safe Use:** Conductive polypropylene, conductive acetal, or conductive PVDF pumps are not to be installed in applications where the pumps may be subjected to oil, greases and hydraulic liquids

## ATEX Detail

ATEX Detail	Wetted Material Options	Non-Wetted Material Options	Pump Options	Kit Options
 II 1G c T5 II 1D c T100°C I M1 c I M2 c	C, V	C	6	00
II 2G Ex ia c IIC T5 II 2D Ex c iaD 20 IP67 T100°C	C, V	C	0, 6	P1
II 2G EEEx m c II T5 II 2D c IP65 T100°C	C, V	C	0, 6	A1, A2, A3, A4

# Performance

## S05 NON-METALLIC

### SUCTION/DISCHARGE PORT SIZE

- 1/2" NPT (Internal) or 1/2" BSP (Tapered)
- 1" NPT (External) or 1" BSP (Tapered)

### CAPACITY

- 0 to 14 gallons per minute  
(0 to 52 liters per minute)

### AIR DISTRIBUTION VALVE

- No-lube, no-stall design

### SOLIDS-HANDLING

- Up to .125 in. (3mm)

### HEADS UP TO

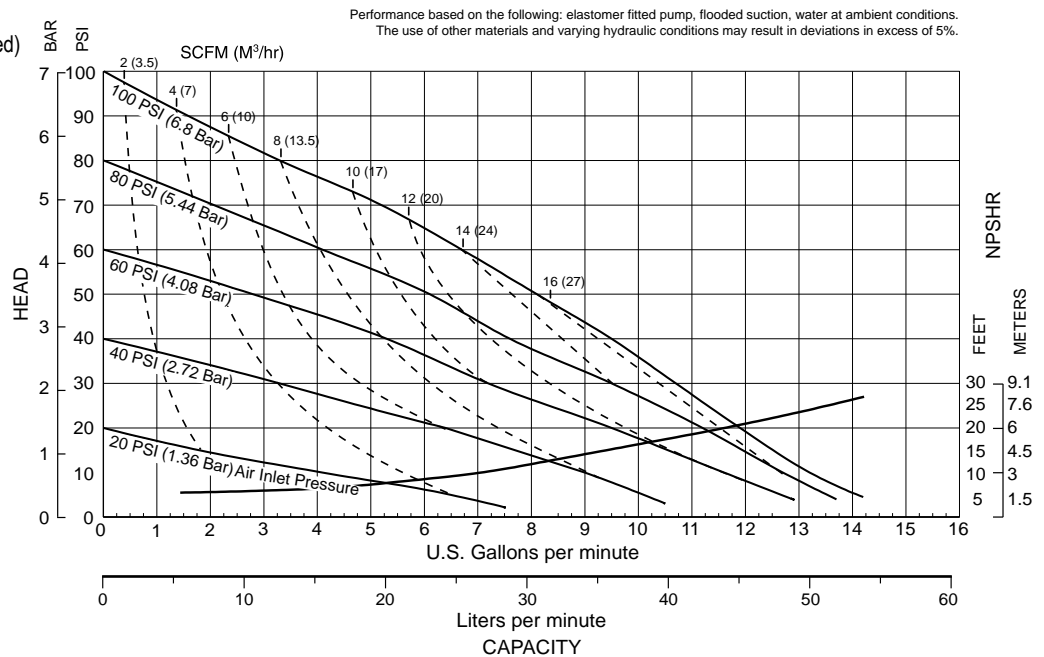
- 100 psi or 231 ft. of water  
(7 bar or 70 meters)

### DISPLACEMENT/STROKE

- .026 Gallon / .098 liter

### SHIPPING WEIGHT

- Polypropylene 16 lbs. (8kg)
- PVDF 18 lbs. (9kg)



1: PUMP SPECS

## Materials

Material Profile:	Operating Temperatures:	
	Max.	Min.
<b>CAUTION!</b> Operating temperature limitations are as follows:		
<b>Conductive Acetal:</b> Tough, impact resistant, ductile. Good abrasion resistance and low friction surface. Generally inert, with good chemical resistance except for strong acids and oxidizing agents.	190°F 88°C	-20°F -29°C
<b>EPDM:</b> Shows very good water and chemical resistance. Has poor resistance to oils and solvents, but is fair in ketones and alcohols.	280°F 138°C	-40°F -40°C
<b>FKM:</b> (Fluorocarbon) Shows good resistance to a wide range of oils and solvents; especially all aliphatic, aromatic and halogenated hydrocarbons, acids, animal and vegetable oils. Hot water or hot aqueous solutions (over 70°F) will attack FKM.	350°F 177°C	-40°F -40°C
<b>Hytrel®:</b> Good on acids, bases, amines and glycols at room temperatures only.	220°F 104°C	-20°F -29°C
<b>Neoprene:</b> All purpose. Resistance to vegetable oils. Generally not affected by moderate chemicals, fats, greases and many oils and solvents. Generally attacked by strong oxidizing acids, ketones, esters and nitro hydrocarbons and chlorinated aromatic hydrocarbons.	200°F 93°C	-10°F -23°C
<b>Nitrile:</b> General purpose, oil-resistant. Shows good solvent, oil, water and hydraulic fluid resistance. Should not be used with highly polar solvents like acetone and MEK, ozone, chlorinated hydrocarbons and nitro hydrocarbons.	190°F 88°C	-10°F -23°C
<b>Nylon:</b> 6/6 High strength and toughness over a wide temperature range. Moderate to good resistance to fuels, oils and chemicals.	180°F 82°C	32°F 0°C

<b>Polypropylene:</b> A thermoplastic polymer. Moderate tensile and flex strength. Resists strong acids and alkali. Attacked by chlorine, fuming nitric acid and other strong oxidizing agents.	180°F 82°C	32°F 0°C
<b>PVDF:</b> (Polyvinylidene Fluoride) A durable fluoroplastic with excellent chemical resistance. Excellent for UV applications. High tensile strength and impact resistance.	250°F 121°C	0°F -18°C
<b>Santoprene®:</b> Injection molded thermoplastic elastomer with no fabric layer. Long mechanical flex life. Excellent abrasion resistance.	275°F 135°C	-40°F -40°C
<b>UHMW PE:</b> A thermoplastic that is highly resistant to a broad range of chemicals. Exhibits outstanding abrasion and impact resistance, along with environmental stress-cracking resistance.	180°F 82°C	-35°F -37°C
<b>Urethane:</b> Shows good resistance to abrasives. Has poor resistance to most solvents and oils.	150°F 66°C	32°F 0°C
<b>Virgin PTFE:</b> (PFA/TFE) Chemically inert, virtually impervious. Very few chemicals are known to chemically react with PTFE; molten alkali metals, turbulent liquid or gaseous fluorine and a few fluoro-chemicals such as chlorine trifluoride or oxygen difluoride which readily liberate free fluorine at elevated temperatures.	220°F 104°C	-35°F -37°C

*Maximum and Minimum Temperatures are the limits for which these materials can be operated. Temperatures coupled with pressure affect the longevity of diaphragm pump components. Maximum life should not be expected at the extreme limits of the temperature ranges.*

Metals:
<b>Alloy C:</b> Equal to ASTM494 CW-12M-1 specification for nickel and nickel alloy.
<b>Stainless Steel:</b> Equal to or exceeding ASTM specification A743 CF-8M for corrosion resistant iron chromium, iron chromium nickel and nickel based alloy castings for general applications. Commonly referred to as 316 Stainless Steel in the pump industry.

Ambient temperature range -20 C to +40 C  
 Process temperature range -20 C to +80 C for models rated as category 1 equipment  
 -20 c to +100 C for model rated as category 2 equipment

For specific applications, always consult the Chemical Resistance Chart.

In addition, the ambient temperature range and the process temperature range do not exceed the operating temperature range of the applied non-metallic parts as listed in the manuals of the pumps.



SANDPIPERPUMP.COM

s05nmdl2sm-rev0717

Model S05 Non-Metallic • 2

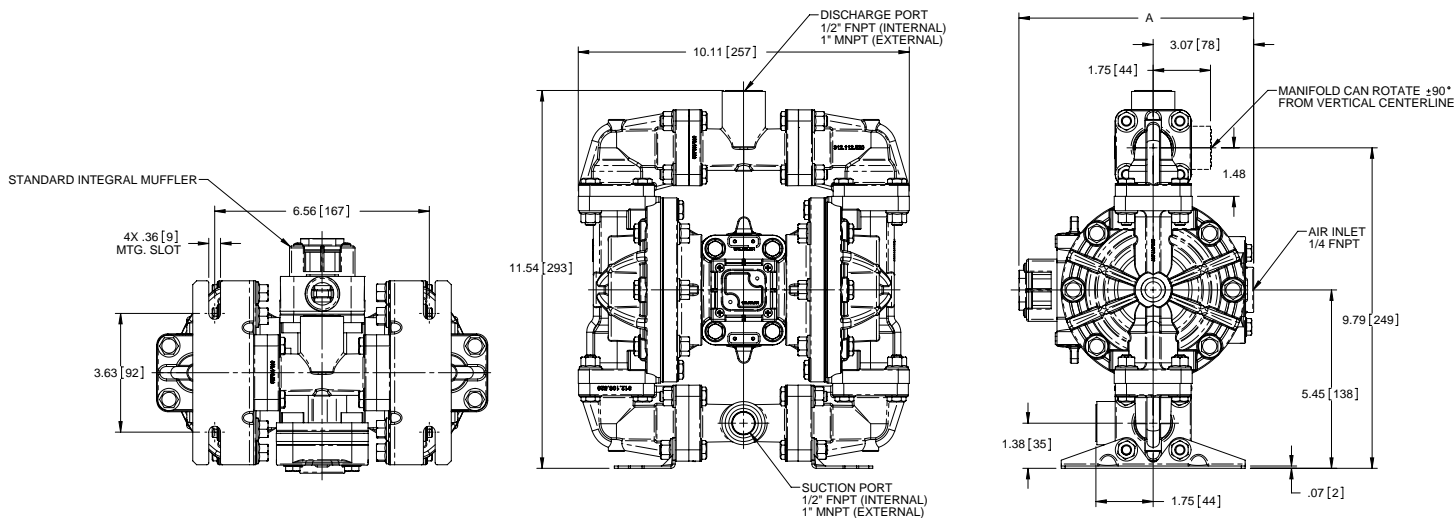
Tel: 866-777-6060  
 Fax: 866-777-6383

Springer Pumps, LLC

Website: [www.springerpumps.com](http://www.springerpumps.com)  
 Int'l: +001 267 404 2910

## S05 Non-Metallic Center Ported Options

Dimensions in inches (metric dimensions in brackets). Dimensional Tolerance .125" (3mm).



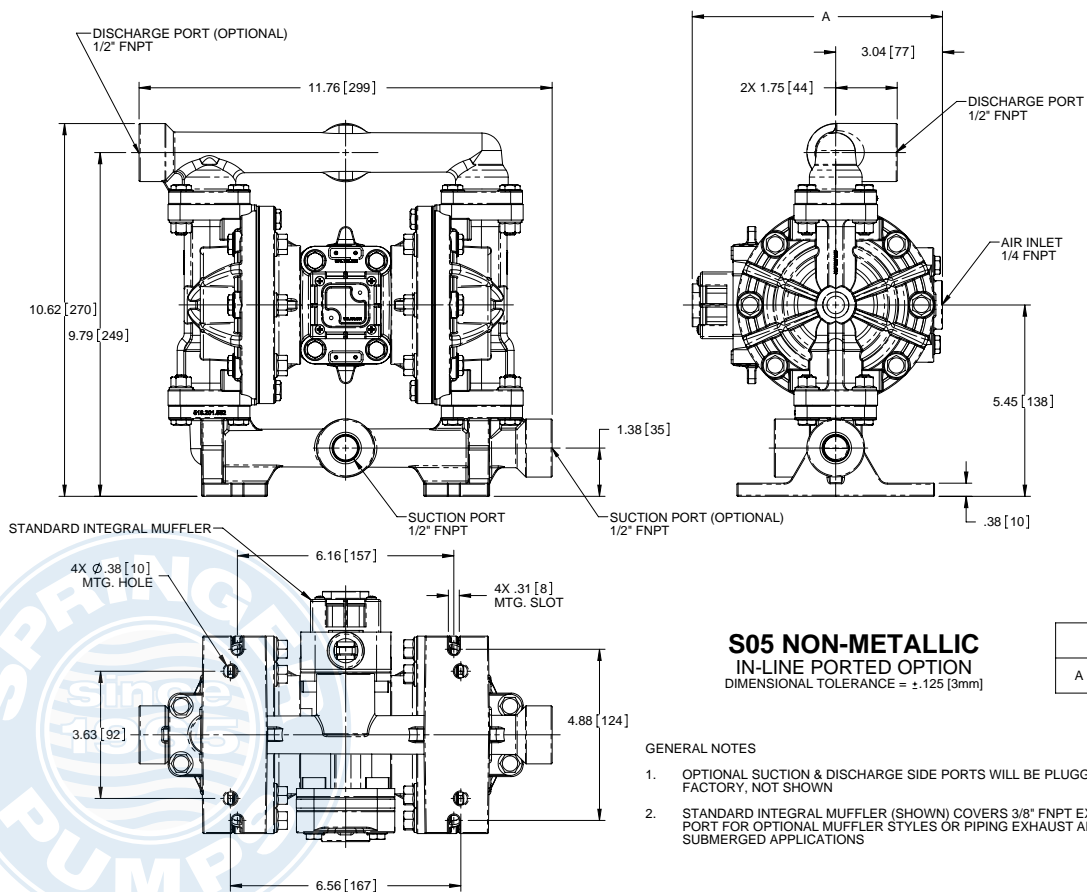
	Standard Integral Muffler Option	Mesh & Sound Dampening Muffler Option
A	7.13 [181]	8.81 [224]

### GENERAL NOTES

- OPTIONAL SUCTION & DISCHARGE PORTS AVAILABLE IN 1" BSP (INTERNAL) AND 1" BSP (EXTERNAL)
- STANDARD INTEGRAL MUFFLER (SHOWN) COVERS 3/8" FNPT EXHAUST PORT FOR OPTIONAL MUFFLER STYLES OR PIPING EXHAUST AIR IN SUBMERGED APPLICATIONS

## S05 Non-Metallic Inline Ported Options - (Polypropylene Wet End Models Only)

Dimensions in inches (metric dimensions in brackets). Dimensional Tolerance .125" (3mm).



### S05 NON-METALLIC IN-LINE PORTED OPTION

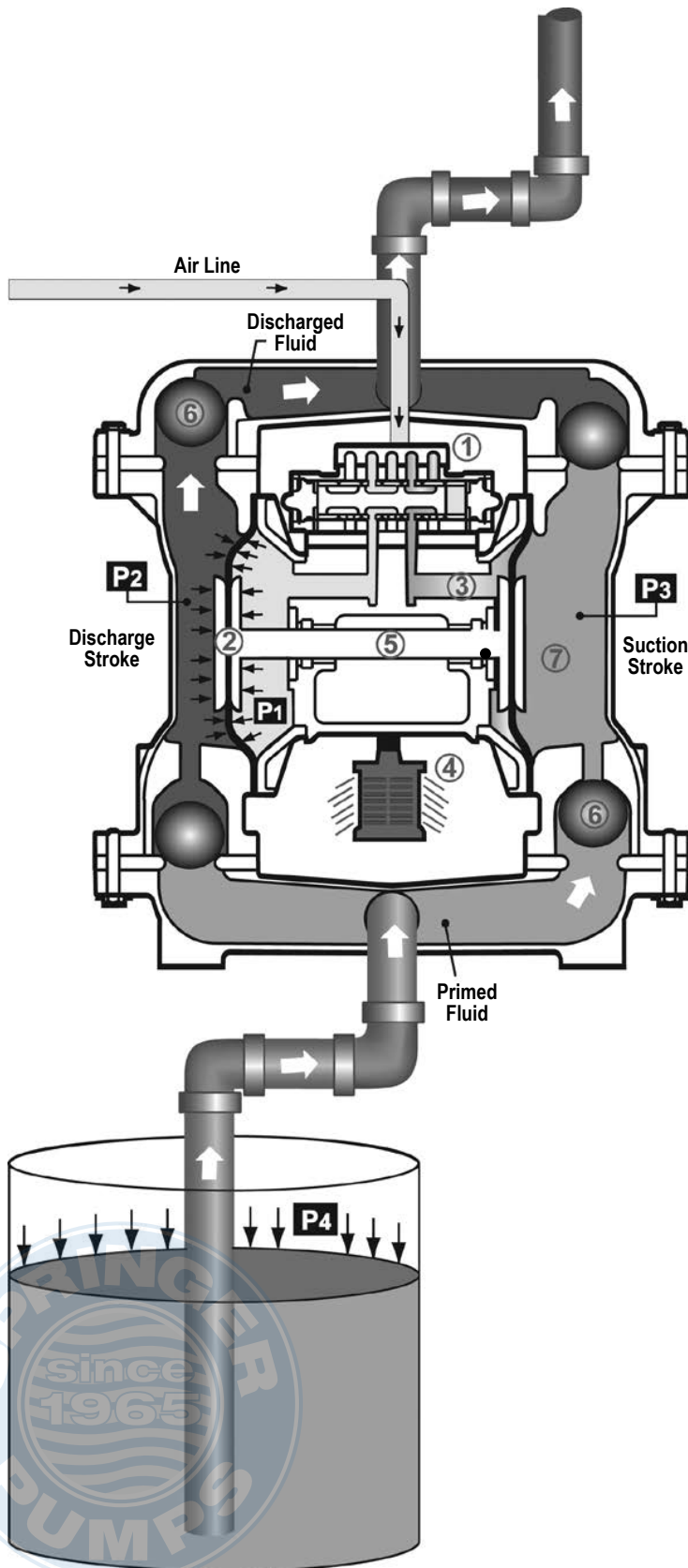
DIMENSIONAL TOLERANCE = ±.125 [3mm]

	Standard Integral Muffler Option	Mesh & Sound Dampening Muffler Option
A	7.13 [181]	8.81 [224]

### GENERAL NOTES

- OPTIONAL SUCTION & DISCHARGE SIDE PORTS WILL BE PLUGGED AT FACTORY, NOT SHOWN
- STANDARD INTEGRAL MUFFLER (SHOWN) COVERS 3/8" FNPT EXHAUST PORT FOR OPTIONAL MUFFLER STYLES OR PIPING EXHAUST AIR IN SUBMERGED APPLICATIONS

# Principle of Pump Operation



Air-Operated Double Diaphragm (AODD) pumps are powered by compressed air or nitrogen.

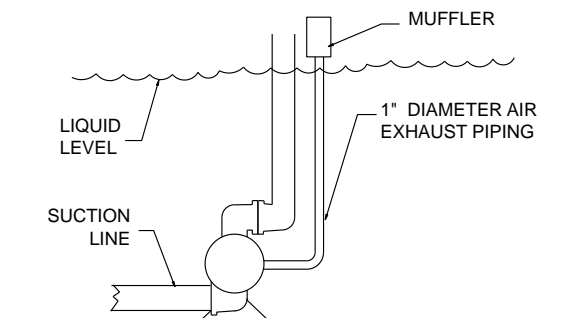
The main directional (air) control valve ① distributes compressed air to an air chamber, exerting uniform pressure over the inner surface of the diaphragm ②. At the same time, the exhausting air ③ from behind the opposite diaphragm is directed through the air valve assembly(s) to an exhaust port ④.

As inner chamber pressure (**P1**) exceeds liquid chamber pressure (**P2**), the rod ⑤ connected diaphragms shift together creating discharge on one side and suction on the opposite side. The discharged and primed liquid's directions are controlled by the check valves (ball or flap)⑥ orientation.

The pump primes as a result of the suction stroke. The suction stroke lowers the chamber pressure (**P3**) increasing the chamber volume. This results in a pressure differential necessary for atmospheric pressure (**P4**) to push the fluid through the suction piping and across the suction side check valve and into the outer fluid chamber ⑦.

Suction (side) stroking also initiates the reciprocating (shifting, stroking or cycling) action of the pump. The suction diaphragm's movement is mechanically pulled through its stroke. The diaphragm's inner plate makes contact with an actuator plunger aligned to shift the pilot signaling valve. Once actuated, the pilot valve sends a pressure signal to the opposite end of the main directional air valve, redirecting the compressed air to the opposite inner chamber.

## SUBMERGED ILLUSTRATION



Pump can be submerged if the pump materials of construction are compatible with the liquid being pumped. The air exhaust must be piped above the liquid level. When the pumped product source is at a higher level than the pump (flooded suction condition), pipe the exhaust higher than the product source to prevent siphoning spills.

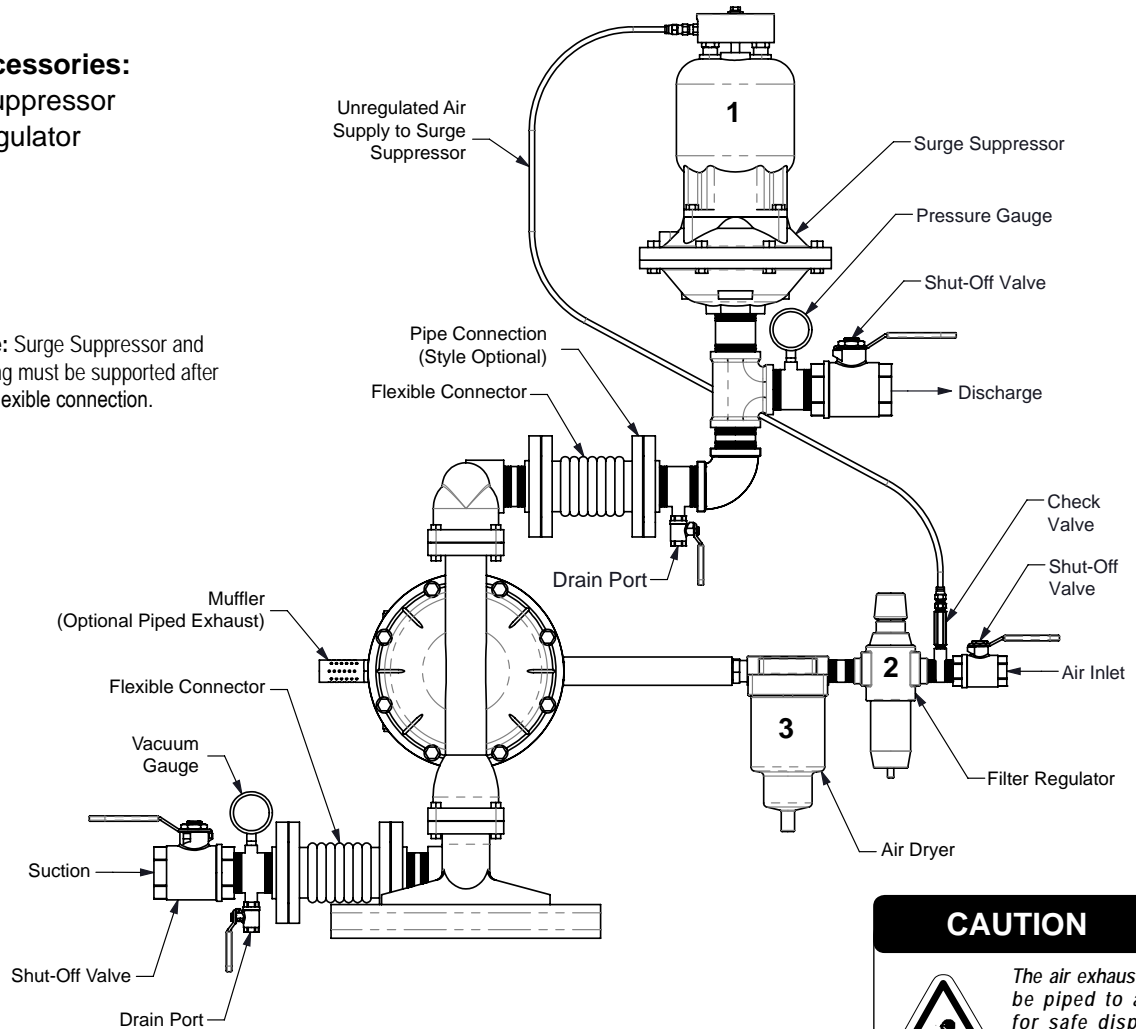
2: INSTAL & OP

# Recommended Installation Guide

## Available Accessories:

1. Surge Suppressor
2. Filter/Regulator
3. Air Dryer

**Note:** Surge Suppressor and Piping must be supported after the flexible connection.



## CAUTION



The air exhaust should be piped to an area for safe disposition of the product being pumped, in the event of a diaphragm failure.

## Installation And Start-Up

Locate the pump as close to the product being pumped as possible. Keep the suction line length and number of fittings to a minimum. Do not reduce the suction line diameter.

## Air Supply

Connect the pump air inlet to an air supply with sufficient capacity and pressure to achieve desired performance. A pressure regulating valve should be installed to insure air supply pressure does not exceed recommended limits.

## Air Valve Lubrication

The air distribution system is designed to operate WITHOUT lubrication. This is the standard mode of operation. If lubrication is desired, install an air line lubricator set to deliver one drop of SAE 10 non-detergent oil for every 20 SCFM (9.4 liters/sec.) of air the pump consumes. Consult the Performance Curve to determine air consumption.

## Air Line Moisture

Water in the compressed air supply may cause icing or freezing of the exhaust air, causing the pump to cycle erratically or stop operating. Water in the air supply can be reduced by using a point-of-use air dryer.

## Air Inlet And Priming

To start the pump, slightly open the air shut-off valve. After the pump primes, the air valve can be opened to increase air flow as desired. If opening the valve increases cycling rate, but does not increase the rate of flow, cavitation has occurred. The valve should be closed slightly to obtain the most efficient air flow to pump flow ratio.



# Troubleshooting Guide

2: INSTAL & OP

Symptom:	Potential Cause(s):	Recommendation(s):
<b>Pump Cycles Once</b>	Deadhead (system pressure meets or exceeds air supply pressure).	Increase the inlet air pressure to the pump. Pump is designed for 1:1 pressure ratio at zero flow. (Does not apply to high pressure 2:1 units).
	Air valve or intermediate gaskets installed incorrectly.	Install gaskets with holes properly aligned.
	Bent or missing actuator plunger.	Remove pilot valve and inspect actuator plungers.
<b>Pump Will Not Operate / Cycle</b>	Pump is over lubricated.	Set lubricator on lowest possible setting or remove. Units are designed for lube free operation.
	Lack of air (line size, PSI, CFM).	Check the air line size and length, compressor capacity (HP vs. CFM required).
	Check air distribution system.	Disassemble and inspect main air distribution valve, pilot valve and pilot valve actuators.
	Discharge line is blocked or clogged manifolds.	Check for inadvertently closed discharge line valves. Clean discharge manifolds/piping.
	Deadhead (system pressure meets or exceeds air supply pressure).	Increase the inlet air pressure to the pump. Pump is designed for 1:1 pressure ratio at zero flow. (Does not apply to high pressure 2:1 units).
	Blocked air exhaust muffler.	Remove muffler screen, clean or de-ice, and re-install.
	Pumped fluid in air exhaust muffler.	Disassemble pump chambers. Inspect for diaphragm rupture or loose diaphragm plate assembly.
<b>Pump Cycles and Will Not Prime or No Flow</b>	Pump chamber is blocked.	Disassemble and inspect wetted chambers. Remove or flush any obstructions.
	Cavitation on suction side.	Check suction condition (move pump closer to product).
	Check valve obstructed. Valve ball(s) not seating properly or sticking.	Disassemble the wet end of the pump and manually dislodge obstruction in the check valve pocket. Clean out around valve ball cage and valve seat area. Replace valve ball or valve seat if damaged. Use heavier valve ball material.
	Valve ball(s) missing (pushed into chamber or manifold).	Worn valve ball or valve seat. Worn fingers in valve ball cage (replace part). Check Chemical Resistance Guide for compatibility.
	Valve ball(s)/seat(s) damaged or attacked by product.	Check Chemical Resistance Guide for compatibility.
	Check valve and/or seat is worn or needs adjusting.	Inspect check valves and seats for wear and proper setting. Replace if necessary.
	Suction line is blocked.	Remove or flush obstruction. Check and clear all suction screens or strainers.
	Excessive suction lift.	For lifts exceeding 20' of liquid, filling the chambers with liquid will prime the pump in most cases.
	Suction side air leakage or air in product.	Visually inspect all suction-side gaskets and pipe connections.
	Pumped fluid in air exhaust muffler.	Disassemble pump chambers. Inspect for diaphragm rupture or loose diaphragm plate assembly.
<b>Pump Cycles Running Sluggish/Stalling, Flow Unsatisfactory</b>	Over lubrication.	Set lubricator on lowest possible setting or remove. Units are designed for lube free operation.
	Icing.	Remove muffler screen, de-ice, and re-install. Install a point of use air drier.
	Clogged manifolds.	Clean manifolds to allow proper air flow
	Deadhead (system pressure meets or exceeds air supply pressure).	Increase the inlet air pressure to the pump. Pump is designed for 1:1 pressure ratio at zero flow. (Does not apply to high pressure 2:1 units).
	Cavitation on suction side.	Check suction (move pump closer to product).
	Lack of air (line size, PSI, CFM).	Check the air line size, length, compressor capacity.
	Excessive suction lift.	For lifts exceeding 20' of liquid, filling the chambers with liquid will prime the pump in most cases.
	Air supply pressure or volume exceeds system hd.	Decrease inlet air (press. and vol.) to the pump. Pump is cavitating the fluid by fast cycling.
	Undersized suction line.	Meet or exceed pump connections.
	Restrictive or undersized air line.	Install a larger air line and connection.
	Suction side air leakage or air in product.	Visually inspect all suction-side gaskets and pipe connections.
	Suction line is blocked.	Remove or flush obstruction. Check and clear all suction screens or strainers.
	Pumped fluid in air exhaust muffler.	Disassemble pump chambers. Inspect for diaphragm rupture or loose diaphragm plate assembly.
	Check valve obstructed.	Disassemble the wet end of the pump and manually dislodge obstruction in the check valve pocket.
Check valve and/or seat is worn or needs adjusting.	Inspect check valves and seats for wear and proper setting. Replace if necessary.	
<b>Product Leaking Through Exhaust</b>	Entrained air or vapor lock in chamber(s).	Purge chambers through tapped chamber vent plugs. Purging the chambers of air can be dangerous.
	Diaphragm failure, or diaphragm plates loose.	Replace diaphragms, check for damage and ensure diaphragm plates are tight.
<b>Premature Diaphragm Failure</b>	Diaphragm stretched around center hole or bolt holes.	Check for excessive inlet pressure or air pressure. Consult Chemical Resistance Chart for compatibility with products, cleaners, temperature limitations and lubrication.
	Cavitation.	Enlarge pipe diameter on suction side of pump.
	Excessive flooded suction pressure.	Move pump closer to product. Raise pump/place pump on top of tank to reduce inlet pressure. Install Back pressure device (Tech bulletin 41r). Add accumulation tank or pulsation dampener.
	Misapplication (chemical/physical incompatibility).	Consult Chemical Resistance Chart for compatibility with products, cleaners, temperature limitations and lubrication.
<b>Unbalanced Cycling</b>	Incorrect diaphragm plates or plates on backwards, installed incorrectly or worn.	Check Operating Manual to check for correct part and installation. Ensure outer plates have not been worn to a sharp edge.
	Excessive suction lift.	For lifts exceeding 20' of liquid, filling the chambers with liquid will prime the pump in most cases.
	Undersized suction line.	Meet or exceed pump connections.
	Pumped fluid in air exhaust muffler.	Disassemble pump chambers. Inspect for diaphragm rupture or loose diaphragm plate assembly.
	Suction side air leakage or air in product.	Visually inspect all suction-side gaskets and pipe connections.
	Check valve obstructed.	Disassemble the wet end of the pump and manually dislodge obstruction in the check valve pocket.
	Check valve and/or seat is worn or needs adjusting.	Inspect check valves and seats for wear and proper setting. Replace if necessary.
Entrained air or vapor lock in chamber(s).	Purge chambers through tapped chamber vent plugs.	

For additional troubleshooting tips contact After Sales Support at service.warrenrupp@idexcorp.com or 419-524-8388



SANDPIPERPUMP.COM

Model S05 Non-Metallic • 6

s05nmdl2sm-rev0717

Tel: 866-777-6060  
Fax: 866-777-6383

Springer Pumps, LLC

Website: www.springerpumps.com  
Int'l: +001 267 404 2910

# Composite Repair Parts Drawing

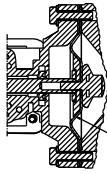
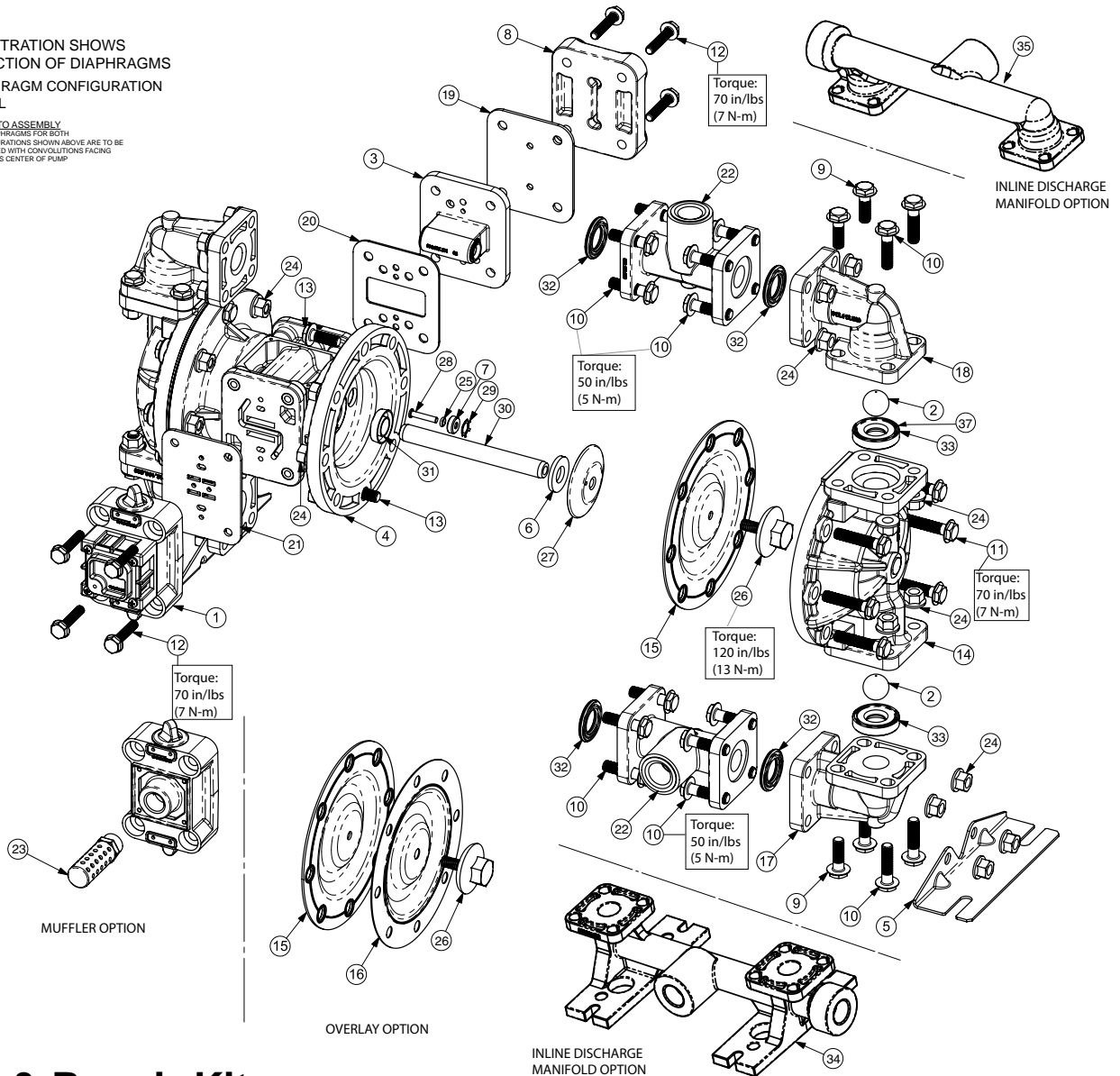


ILLUSTRATION SHOWS  
DIRECTION OF DIAPHRAGMS  
DIAPHRAGM CONFIGURATION  
DETAIL

NOTE TO ASSEMBLY  
THE DIAPHRAGMS FOR BOTH  
CONFIGURATIONS SHOWN ABOVE ARE TO BE  
INSTALLED WITH CONVOLUTIONS FACING  
TOWARDS CENTER OF PUMP



## Service & Repair Kits

- 476.219.000 AIR END KIT**  
Seals, O-Ring, Gaskets, Retaining Rings, Air Valve Assembly and Pilot Valve Assembly.
- 476.220.000 AIR END KIT (Air Valve with Stroke Indicator Pin)**  
Seals, O-Ring, Gaskets, Retaining Rings, Air Valve Assembly Pilot Valve Assembly.
- 476.202.360 WET END KIT**  
Nitrile Diaphragms, Nitrile Check Balls, PTFE Seats and PTFE Seals.
- 476.202.365 WET END KIT**  
Neoprene Diaphragms, Neoprene Check Balls, PTFE Seats and PTFE Seals.

- 476.202.354 WET END KIT**  
Santoprene Diaphragms, Santoprene Check Balls, PTFE Seats and PTFE Seals.
- 476.202.357 WET END KIT**  
Polyurethane Diaphragms, Santoprene Check Balls, PTFE Seats and PTFE Seals.
- 476.202.654 WET END KIT**  
Santoprene Diaphragms, PTFE Overlay Diaphragm, PTFE Check Balls, PTFE Seats and PTFE Seals.
- 476.202.659 WET END KIT**  
One-Piece Bonded PTFE/Nitrile Diaphragm, PTFE Balls, PTFE Seats.

**IMPORTANT NOTE:** Polypropylene pumps are shipped with the 1/2" NPT Pipe Plug (item 37) installed in the end ports of both suction and discharge one-piece manifolds. To convert to the Inline porting positions for pump installation and operation, first remove the pipe plugs and re-install in the center ports. Apply PTFE tape or pipe sealant to threads of the plug before installation.

# Composite Repair Parts List

Item	Part Number	Description	Qty
①	031.166.000	Air Valve Assembly	1
	031.166.002	Air Valve Assembly (with PTFE Coated Hardware)	1
	⚠ 031.166.003	Air Valve Assembly (with Conductive Polypropylene)	1
	⚠ 031.167.000	Air Valve Assembly (with Stroke Indicator Pins)	1
	031.167.002	Air Valve Assembly (with Stroke Indicator Pins and PTFE Coated Hardware)	1
	031.168.000	Air Valve Assembly	1
	⚠ 031.168.002	Air Valve Assembly, Conductive Polypropylene	1
	⚠ 031.169.000	Air Valve Assembly (no muffler with Stroke Indicator Pins)	1
	031.194.000	High Temperature	1
	⚠ 031.194.002	High Temperature, Conductive Polypropylene	1
	031.195.000	High Temperature	1
	⚠ 031.195.003	High Temperature, Conductive Polypropylene	1
②	050.027.354	Ball, Check, Santoprene	4
	050.027.357	Ball, Check, Polyurethane	4
	050.027.360	Ball, Check, Nitrile	4
	050.022.600	Ball, Check, PTFE	4
③	095.091.000	Pilot Valve Assembly	1
	⚠ 095.091.001	Conductive Polypropylene & Conductive PVDF Options	1
4	114.023.551	Bracket, Intermediate	1
	⚠ 114.023.559	Bracket, Intermediate	1
5	115.140.115	Bracket, Mounting	2
	115.140.308	Bracket, Mounting	2
⑥	132.034.360	Bumper, Diaphragm	2
⑦	135.036.506	Bushing, Plunger	2
8	165.110.551	Cap, Air Inlet	1
	⚠ 165.110.559	Cap, Air Inlet	1
9	171.062.115	Capscrew, Flanged 5/16-18 X 1.00	8
	171.062.308	Capscrew, Flanged 5/16-18 X 1.00	8
10	171.063.115	Capscrew, Flanged 5/16-18 X 1.25	24
		Inline Option Only	8
	171.063.308	Capscrew, Flanged 5/16-18 X 1.25	24
		Inline Option Only	8
11	171.064.115	Capscrew, Flanged 5/16-18 X 1.50	12
	171.064.308	Capscrew, Flanged 5/16-18 X 1.50	12
12	171.066.115	Capscrew, Flanged 1/4-20 X 1.25	8
	171.066.308	Capscrew, Flanged 1/4-20 X 1.25	8
13	171.075.115	Capscrew, Flanged 5/16-18 X .88	4
	171.075.308	Capscrew, Flanged 5/16-18 X .88	4
14	196.178.520	Chamber, Outer, PVDF	2
	⚠ 196.178.521	Chamber, Outer, Conductive PVDF	2
	196.178.542	Chamber, Outer, Nylon	2
	196.178.552	Chamber, Outer, Poly	2
	⚠ 196.178.557	Chamber, Outer, Conductive Poly	2
⑮	286.095.354	Diaphragm, Santoprene	2
	286.095.357	Diaphragm, Polyurethane	2
15	286.095.360	Diaphragm, Nitrile	2
	286.116.000	Diaphragm, One-Piece, PTFE	2
⑮	286.096.600	Diaphragm, Overlay, PTFE	2
17	312.106.520	Elbow, Suction, PVDF	2
	⚠ 312.106.521	Elbow, Suction, Conductive PVDF	2
	312.106.542	Elbow, Suction, Nylon	2
	312.106.552	Elbow, Suction (not used with Inline option), Poly	2
	⚠ 312.106.557	Elbow, Suction, Conductive Poly	2
18	312.112.520	Elbow, Discharge, PVDF	2
	⚠ 312.112.521	Elbow, Discharge, Conductive PVDF	2
	312.112.542	Elbow, Discharge, Nylon	2
	312.112.552	Elbow, Discharge (not used with Inline option), Poly	2
	⚠ 312.112.557	Elbow, Discharge, Poly	2
⑲	360.100.360	Gasket, Air Inlet	1
	360.100.379	Gasket, Air Inlet (Conductive Polypropylene or PVDF, or Solenoid Option)	1
⑳	360.101.360	Gasket, Pilot Valve	1
㉑	360.102.360	Gasket, Air Valve	1
22	518.138.520	Manifold, NPT, PVDF	2
	518.138.520E	Manifold, BSP Tapered, PVDF	2
	⚠ 518.138.521	Manifold, NPT, Conductive PVDF	2
	⚠ 518.138.521E	Manifold, BSP Tapered, Conductive PVDF	2
	518.138.542	Manifold, NPT, Nylon	2
	518.138.542E	Manifold, BSP Tapered, Nylon	2
	518.138.552	Manifold, NPT (not used with Inline option), Poly	2
	518.138.552E	Manifold, BSP Tapered, Poly	2
	⚠ 518.138.557	Manifold, NPT, Conductive Poly	2
	⚠ 518.138.557E	Manifold, BSP Tapered, Conductive Poly	2
23	⚠ 530.035.000	Muffler	1
24	544.005.115	Nut, Flanged 5/16-18	36
		Inline Option Only	20
	544.005.308	Nut, Flanged 5/16-18	36
		Inline Option Only	20
25	560.001.360	O-Ring	2
26	612.091.520	Plate, Outer Diaphragm, PVDF	2
	612.091.542	Plate, Outer Diaphragm, Nylon	2
	612.091.552	Plate, Outer Diaphragm, Poly	2
⑳	612.177.330	Plate, Inner Diaphragm	2
	612.221.330	Plate, Inner Diaphragm (use with 286.116.000)	2
28	620.019.115	Plunger, Actuator	2
29	675.042.115	Ring, Retaining	2
30	685.056.120	Rod, Diaphragm	1
31	720.012.360	Seal, Diaphragm Rod	2
㉑	720.045.600	Seal, Manifold (not used with Inline option)	4
㉓	722.099.600	Seat, Check Valve, PTFE	4
	722.100.110	Seat, Check Valve, Stainless Steel	4
㉔	518.201.552	Inline Suction Manifold (Polypropylene ONLY)	1
㉕	518.202.552	Inline Discharge Manifold (Polypropylene ONLY)	1
㉖	618.058.552	Plug, 1/2" Pipe (Inline Option Polypropylene ONLY)	2
37	720.065.600	Seal, Check Valve Seat (steel seats only)	8

3: EXP VIEW

## LEGEND:

○ = Items contained within Air End Kits

□ = Items contained within Wet End Kits

Note: Kits contain components specific to the material codes.

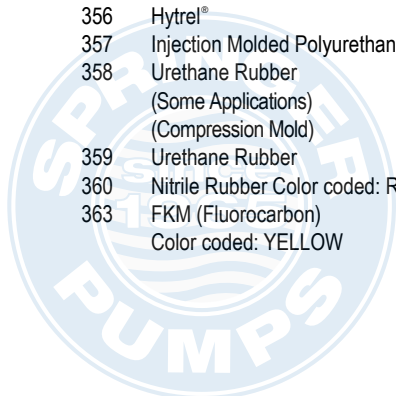
⊕ ⚠ **ATEX Compliant**

# MATERIAL CODES - THE LAST 3 DIGITS OF PART NUMBER

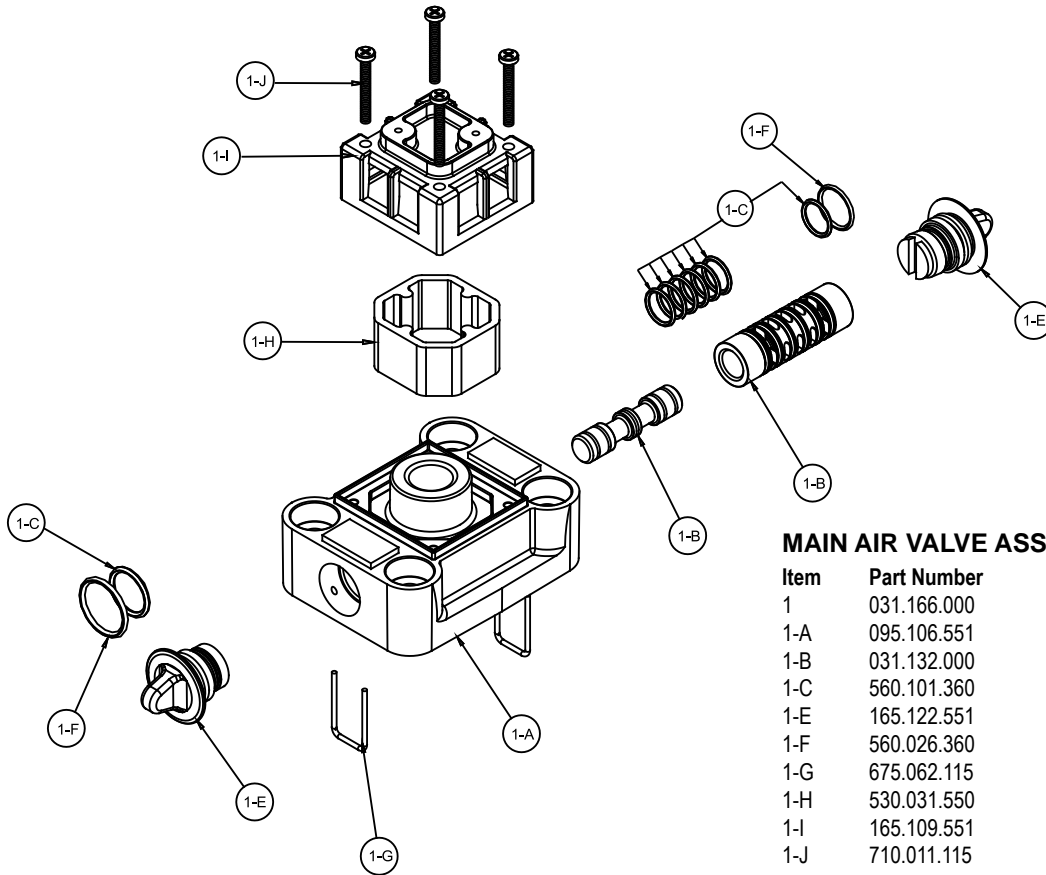
000	Assembly, sub-assembly; and some purchased items	364	E.P.D.M. Rubber Color coded: BLUE	PTFE Overlay, Balls, and Seals
010	Cast Iron	365	Neoprene Rubber Color coded: GREEN	668 PTFE, FDA Santoprene®/PTFE Delrin and Hytrel are registered tradenames of E. I. DuPont.
015	Ductile Iron	366	Food Grade Nitrile	Nylatron is a registered tradename of Polymer Corp.
020	Ferritic Malleable Iron	368	Food Grade EPDM	Gylon is a registered tradename of Garlock, Inc.
080	Carbon Steel, AISI B-1112	371	Phlthane (Tuftane)	Santoprene is a registered tradename of Exxon Mobil Corp.
110	Alloy Type 316 Stainless Steel	374	Carboxylated Nitrile	Rulon II is a registered tradename of Dixon Industries Corp.
111	Alloy Type 316 Stainless Steel (Electro Polished)	375	Fluorinated Nitrile	Ryton is a registered tradename of Phillips Chemical Co.
112	Alloy C	378	High Density Polypropylene	Valox is a registered tradename of General Electric Co.
113	Alloy Type 316 Stainless Steel (Hand Polished)	379	Conductive Nitrile	
114	303 Stainless Steel	408	Cork and Neoprene	
115	302/304 Stainless Steel	425	Compressed Fibre	
117	440-C Stainless Steel (Martensitic)	426	Blue Gard	
120	416 Stainless Steel (Wrought Martensitic)	440	Vegetable Fibre	
148	Hardcoat Anodized Aluminum	500	Delrin® 500	
150	6061-T6 Aluminum	502	Conductive Acetal, ESD-800	
152	2024-T4 Aluminum (2023-T351)	503	Conductive Acetal, Glass-Filled	
155	356-T6 Aluminum	506	Delrin® 150	
156	356-T6 Aluminum	520	Injection Molded PVDF Natural color	
157	Die Cast Aluminum Alloy #380	540	Nylon	
158	Aluminum Alloy SR-319	542	Nylon	
162	Brass, Yellow, Screw Machine Stock	544	Nylon Injection Molded	
165	Cast Bronze, 85-5-5-5	550	Polyethylene	
166	Bronze, SAE 660	551	Glass Filled Polypropylene	
170	Bronze, Bearing Type, Oil Impregnated	552	Unfilled Polypropylene	
180	Copper Alloy	555	Polyvinyl Chloride	
305	Carbon Steel, Black Epoxy Coated	556	Black Vinyl	
306	Carbon Steel, Black PTFE Coated	557	Unfilled Conductive Polypropylene	
307	Aluminum, Black Epoxy Coated	558	Conductive HDPE	
308	Stainless Steel, Black PTFE Coated	559	Glass-Filled Conductive Polypropylene	
309	Aluminum, Black PTFE Coated	570	Rulon II®	
313	Aluminum, White Epoxy Coated	580	Ryton®	
330	Zinc Plated Steel	600	PTFE (virgin material) Tetrafluorocarbon (TFE)	
332	Aluminum, Electroless Nickel Plated	603	Blue Gylon®	
333	Carbon Steel, Electroless Nickel Plated	604	PTFE	
335	Galvanized Steel	606	PTFE	
337	Silver Plated Steel	607	Envelon	
351	Food Grade Santoprene®	608	Conductive PTFE	
353	Geolast; Color: Black	610	PTFE Encapsulated Silicon	
354	Injection Molded #203-40 Santoprene® Duro 40D +/-5; Color: RED	611	PTFE Encapsulated FKM	
356	Hytrel®	632	Neoprene/Hytrel®	
357	Injection Molded Polyurethane	633	FKM/PTFE	
358	Urethane Rubber (Some Applications) (Compression Mold)	634	EPDM/PTFE	
359	Urethane Rubber	635	Neoprene/PTFE	
360	Nitrile Rubber Color coded: RED	637	PTFE, FKM/PTFE	
363	FKM (Fluorocarbon) Color coded: YELLOW	638	PTFE, Hytrel®/PTFE	
		639	Nitrile/TFE	
		643	Santoprene®/EPDM	
		644	Santoprene®/PTFE	
		656	Santoprene® Diaphragm and Check Balls/EPDM Seats	
		661	EPDM/Santoprene®	
		666	FDA Nitrile Diaphragm,	

## RECYCLING

Many components of SANDPIPER® AODD pumps are made of recyclable materials. We encourage pump users to recycle worn out parts and pumps whenever possible, after any hazardous pumped fluids are thoroughly flushed.



# Air Distribution Valve Assembly Drawing



## MAIN AIR VALVE ASSEMBLY PARTS LIST

Item	Part Number	Description	Qty
1	031.166.000	Air Valve Assembly	1
1-A	095.106.551	Body, Air Valve	1
1-B	031.132.000	Sleeve and Spool Set	1
1-C	560.101.360	O-Ring	8
1-E	165.122.551	End Cap	2
1-F	560.026.360	O-Ring	2
1-G	675.062.115	End Cap Retainer	2
1-H	530.031.550	Muffler	1
1-I	165.109.551	Muffler Cap	1
1-J	710.011.115	Self-Tapping Screw	4

### For Pumps with Virgin PTFE coated hardware:

1	031.166.002	Air Valve Assembly	1
1-G	675.062.308	End Cap Retainer	2
1-J	710.011.308	Self Tapping Screw	4

(Includes all other items used on 031.166.000 above)

### For Pumps w/ alternate Mesh, Sound Dampening or Piped Exhaust:

1	031.168.000	Air Valve Assembly	1
---	-------------	--------------------	---

(Includes all items used on 031.166.000 above minus 1.H, 1.I and 1.J)

## MAIN AIR VALVE ASSEMBLY PARTS LIST

Item	Part Number	Description	Qty
⚠ 1	031.166.003	Air Valve Assembly	1
1-A	095.106.559	Body, Air Valve	1
1-B	031.132.000	Sleeve and Spool Set	1
1-C	560.101.360	O-Ring	8
1-E	165.122.551	End Cap	2
1-F	560.026.360	O-Ring	2
1-G	675.062.115	End Cap Retainer	2
1-H	530.031.550	Muffler	1
1-I	165.109.559	Muffler Cap	1
1-J	710.011.115	Self-Tapping Screw	4

### For Pumps with alternate Mesh Muffler or Piped Exhaust:

⚠ 1	031.168.002	Air Valve Assembly	1
-----	-------------	--------------------	---

(Includes all items used on 031.166.003 above minus 1.H, 1.I and 1.J)

### For pumps with High Temperature Options:

1	031.194.000	Air Valve Assembly	1
1-B	031.175.000	Sleeve and Spool Set	1

(Includes all the other items on 031.168.000 above)

1	031.195.000	Air Valve Assembly	1
1	031.175.000	Sleeve and Spool Set	1

(Includes on other items on 031.166.000 above)

## Air Distribution Valve Servicing

See repair parts drawing, remove screws.

**Step 1:** Remove end cap retainer (1-G).

**Step 2:** Remove end cap (1-E).

**Step 3:** Remove spool part of (1-B) (caution: do not scratch).

**Step 4:** Press sleeve (1-B) from body (1-A).

**Step 5:** Inspect O-Rings (1-C) and replace if necessary.

**Step 6:** Lightly lubricate O-Rings (1-C) on sleeve (1-B).

**Step 7:** Press sleeve (1-B) into body (1-A).

**Step 8:** Reassemble in reverse order, starting with step 3.

**Note:** Sleeve and spool (1-B) set is match ground to a specified clearance sleeve and spools (1-B) cannot be interchanged.

### ⚠ IMPORTANT

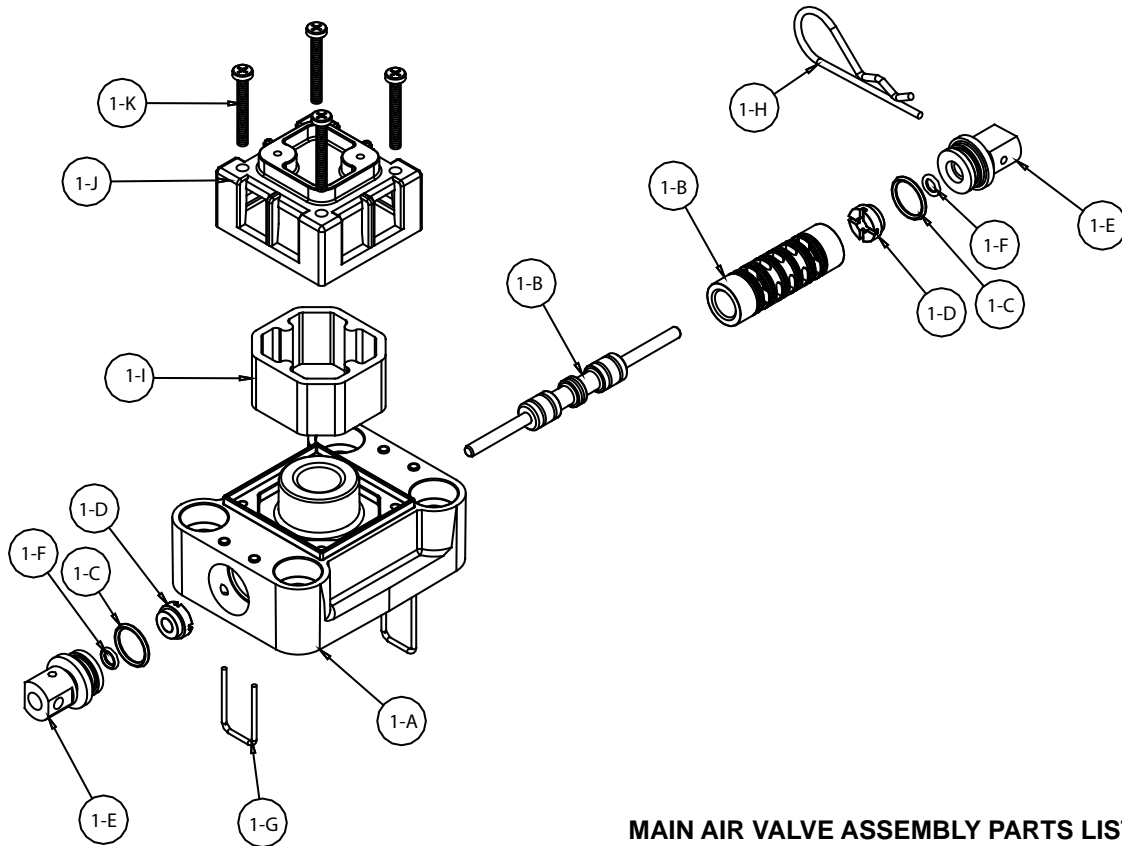


Read these instructions completely, before installation and start-up. It is the responsibility of the purchaser to retain this manual for reference. Failure to comply with the recommendations stated in this manual will damage the pump, and void factory warranty.



**ATEX Compliant**

# Air Valve with Stroke Indicator Assembly Drawing, Parts List



4: AIR END

## Air Distribution Valve Servicing

See repair parts drawing, remove screws.

**Step 1:** Remove end cap retainer (1-G).

**Step 2:** Remove end cap (1-E), bumper (1-D).

**Step 3:** Remove spool part of (1-B) (caution, do not scratch).

**Step 4:** Press sleeve (1-B) from body (1-A).

**Step 5:** Inspect O-Rings (1-C) and replace if necessary.

**Step 6:** Lightly lubricate O-Rings (1-C) on sleeve (1-B).

**Step 7:** Press sleeve (1-B) into body (1-A).

**Step 8:** Reassemble in reverse order.

**Note:** Sleeve and spool (1-B) set is match ground to a specified clearance sleeve and spools (1-B) cannot be interchanged.

## MAIN AIR VALVE ASSEMBLY PARTS LIST

Item	Part Number	Description	Qty
⚠ 1	031.167.000	Air Valve Assembly	1
1-A	095.106.559	Body, Air Valve	1
1-B	031.134.000	Sleeve and Spool Set	1
1-C	560.101.360	O-Ring	8
1-D	132.030.552	Bumper	2
1-E	165.123.147	End Cap	2
1-F	560.029.360	O-Ring	2
1-G	675.062.115	End Cap Retainer	2
1-H	210.008.330	Safety Clip	1
1-I	530.031.550	Muffler	1
1-J	165.109.559	Muffler Cap	1
1-K	710.011.115	Self-Tapping Screw	4

### For Pumps with Virgin PTFE coated hardware:

1	031.167.002	Air Valve Assembly	1
1-G	675.062.308	End Cap Retainer	2
1-J	710.011.308	Self Tapping Screw	4

(Includes all other items used on 031.166.000 above)

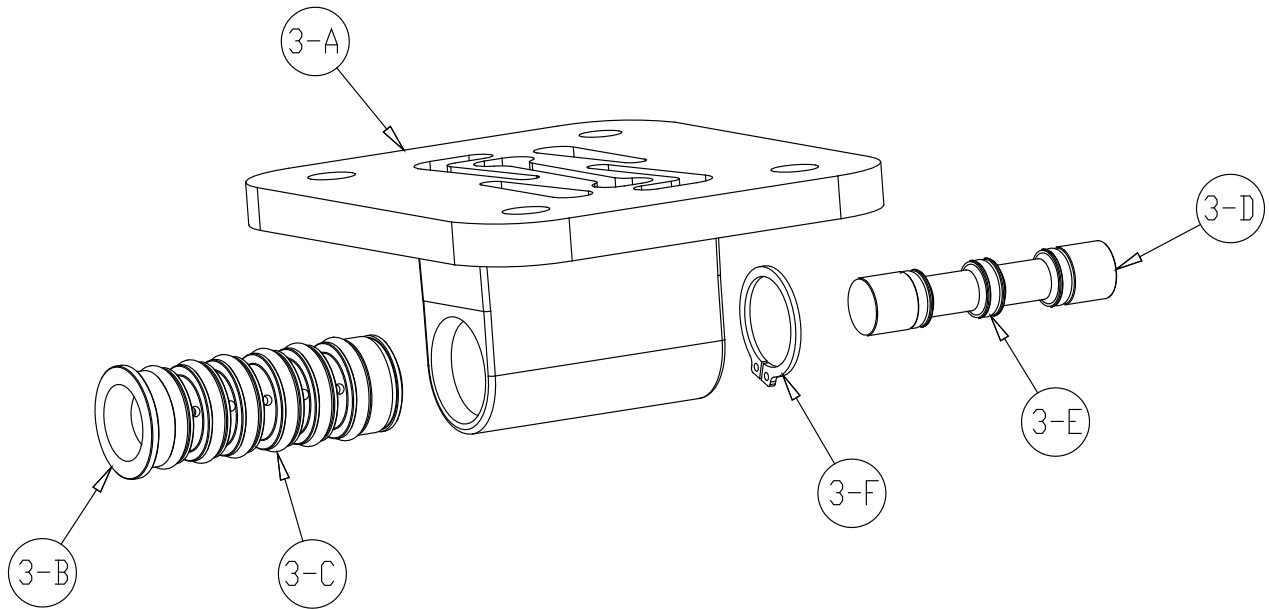
### For Pumps with alternate Mesh Muffler or Piped Exhaust:

⚠ 1	031.169.000	Air Valve Assembly	1
-----	-------------	--------------------	---

(Includes all items used on 031.167.000 above minus 1.H, 1.I and 1.J)

 **ATEX Compliant**

# Pilot Valve Servicing, Assembly Drawing & Parts List



## Pilot Valve Servicing

With Pilot Valve removed from pump.

**Step 1:** Remove snap ring (3-F).

**Step 2:** Remove sleeve (3-B), inspect O-Rings (3-C), replace if required.

**Step 3:** Remove spool (3-D) from sleeve (3-B), inspect O-Rings (3-E), replace if required.

**Step 4:** Lightly lubricate O-Rings (3-C) and (3-E).

Reassemble in reverse order.

## PILOT VALVE ASSEMBLY PARTS LIST

Item	Part Number	Description	Qty
3	095.091.000	Pilot Valve Assembly	1
3-A	095.087.551	Valve Body	1
3-B	755.051.000	Sleeve (With O-Rings)	1
3-C	560.033.360	O-Ring (Sleeve)	6
3-D	775.055.000	Spool (With O-Rings)	1
3-E	560.023.360	O-Ring (Spool)	3
3-F	675.037.080	Retaining Ring	1

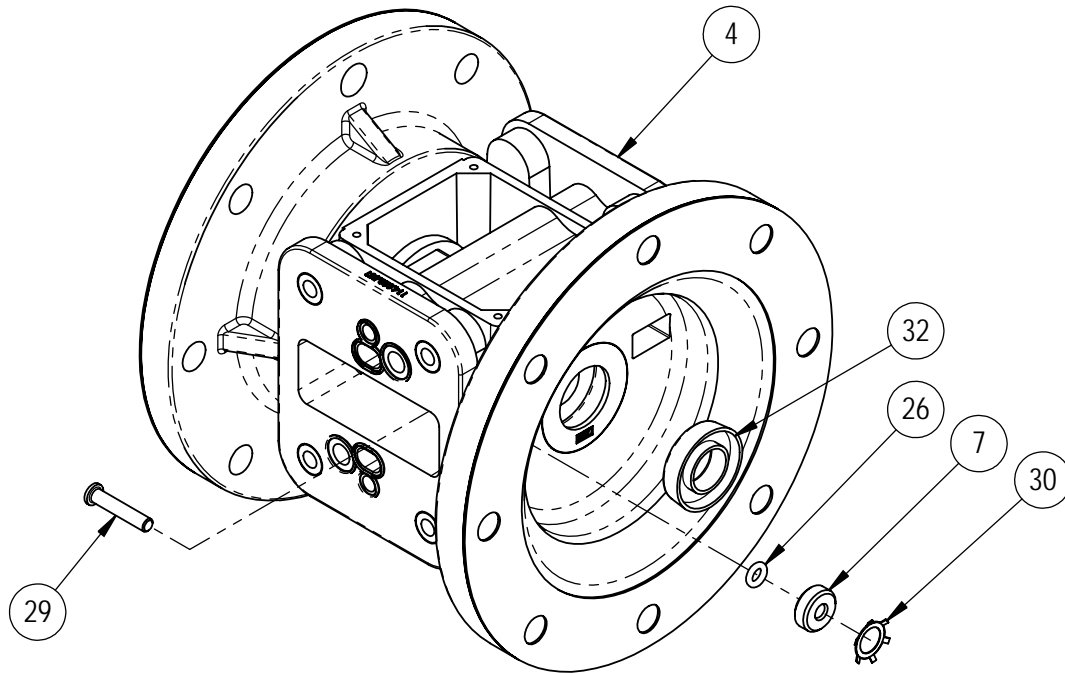
## PILOT VALVE ASSEMBLY PARTS LIST

Item	Part Number	Description	Qty
⚠ 3	095.091.001	Pilot Valve Assembly	1
3-A	095.087.558	Pilot Valve Body	1
3-B	755.051.000	Sleeve (With O-Rings)	1
3-C	560.033.360	O-Ring (Sleeve)	6
3-D	775.055.000	Spool (With O-Rings)	1
3-E	560.023.360	O-Ring (Spool)	3
3-F	675.037.080	Retaining Ring	1

⚠ ⚠ ATEX Compliant



# Intermediate Assembly Drawing



4: AIR END

## Intermediate Assembly Drawing

- Step 1:** Remove plunger, actuator (29) from center of intermediate pilot valve cavity.
- Step 2:** Remove Ring, Retaining (30), discard.
- Step 3:** Remove bushing, plunger (7), inspect for wear and replace if necessary with genuine parts.
- Step 4:** Remove O-Ring (26), inspect for wear and replace if necessary with genuine parts.
- Step 5:** Lightly lubricate O-Ring (26) and insert into intermediate.
- Step 6:** Reassemble in reverse order.
- Step 7:** Remove Seal, Diaphragm Rod (32).
- Step 8:** Clean seal area, lightly lubricate and install new Seal, Diaphragm Rod (32).

## INTERMEDIATE REPAIR PARTS LIST

Item	Part Number	Description	Qty
4	114.023.551	Bracket, Intermediate	1
	114.023.559	Bracket, Intermediate	1
7	135.036.506	Bushing, Plunger	2
26	560.001.360	O-Ring	2
29	620.019.115	Plunger, Actuator	2
30	675.042.115	Ring, Retaining*	2
32	720.012.360	Seal, Diaphragm Rod	2

**\*Note:** It is recommended that when plunger components are serviced, new retaining rings be installed.

### IMPORTANT

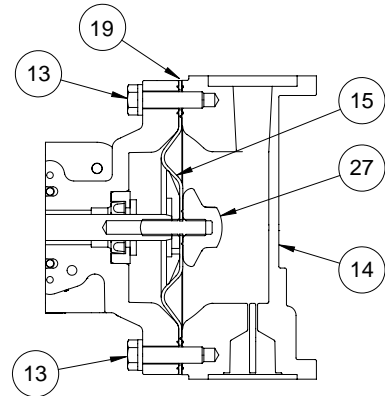
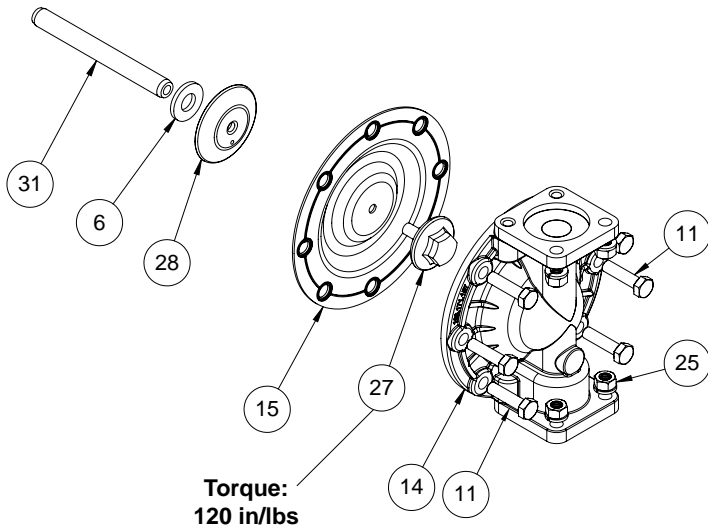


When the pumped product source is at a higher level than the pump (flooded suction condition), pipe the exhaust higher than the product source to prevent siphoning spills. In the event of a diaphragm failure a complete rebuild of the center section is recommended.





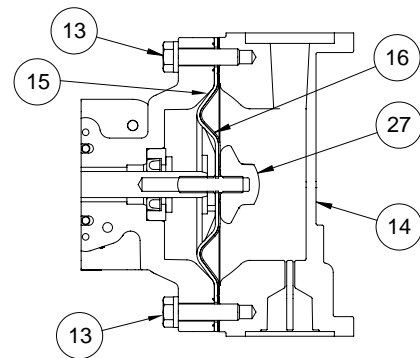
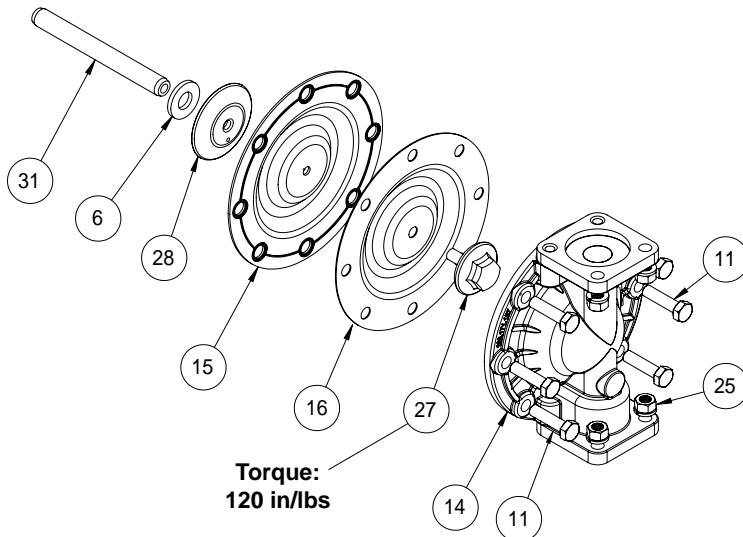
# Diaphragm Service Drawing



## Diaphragm Orientation

Install diaphragm and spacer as shown above.

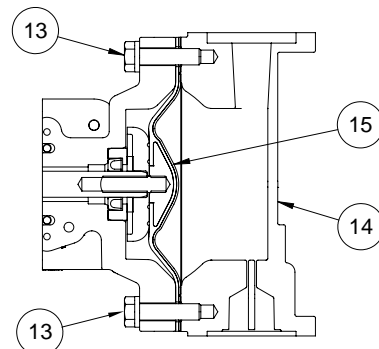
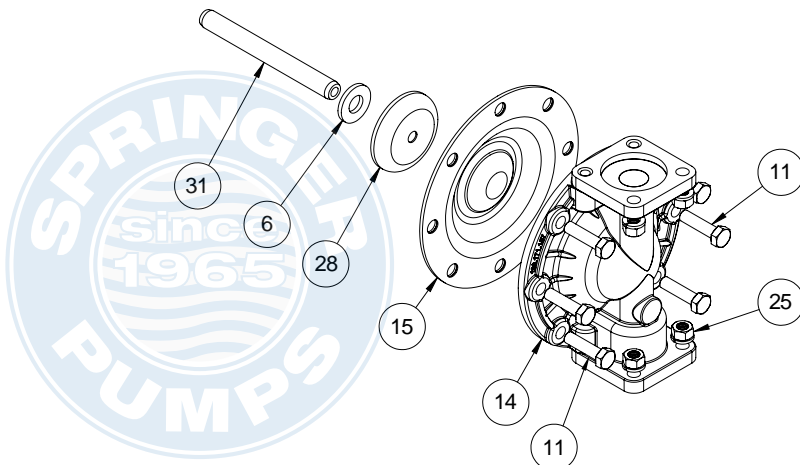
# Diaphragm Service Drawing - with Overlay



## Diaphragm Orientation

Install diaphragm and spacer as shown above.

# Diaphragm Service Drawing - with One-Piece Bonded



## Diaphragm Orientation

Install diaphragm as shown above.

5: WET END

# DIAPHRAGM SERVICING

**Step 1:** With manifolds and outer chambers removed, remove diaphragm assemblies from diaphragm rod. **DO NOT** use a pipe wrench or similar tool to remove assembly from rod. Flaws in the rod surface may damage bearings and seal. Soft jaws in a vise are recommended to prevent diaphragm rod damage.

**Step 1.A: NOTE:** Not all inner diaphragm plates are threaded. Some models utilize a through hole in the inner diaphragm plate. If required to separate diaphragm assembly, place assembly in a vice, gripping on the exterior cast diameter of the inner plate. Turn the outer plate clockwise to separate the assembly.

Always inspect diaphragms for wear cracks or chemical attack. Inspect inner and outer plates for deformities, rust scale and wear. Inspect intermediate bearings for elongation and wear. Inspect diaphragm rod for wear or marks.  
Clean or repair if appropriate. Replace as required.

**Step 2: Reassembly:** There are two different types of diaphragm plate assemblies utilized throughout the Sandpiper product line: Outer plate with a threaded stud, diaphragm, and a threaded inner plate.

Outer plate with a threaded stud, diaphragm, and an inner plate with through hole. Secure threaded inner plate in a vice. Ensure that the plates are being installed with the outer radius against the diaphragm.

**Step 3:** Lightly lubricate, with a compatible material, the inner faces of both outer and inner diaphragm plates when using on non Overlay diaphragms (For EPDM water is recommended). No lubrication is required.

**Step 4:** Push the threaded outer diaphragm plate through the center hole of the diaphragm.  
**Note:** Most diaphragms are installed with the natural bulge out towards the fluid side. S05, S07, and S10 non-metallic units are installed with the natural bulge in towards the air side.

**Step 5:** Thread or place, outer plate stud into the inner plate. For threaded inner plates use a torque wrench to tighten the assembly together. Torque values are called out on the exploded view.

Repeat procedure for second side assembly. Allow a minimum of 15 minutes to elapse after torquing then re-torque the assembly to compensate for stress relaxation in the clamped assembly.

**Step 6:** Thread one assembly onto the diaphragm rod with sealing washer (when used) and bumper.

**Step 7:** Install diaphragm rod assembly into pump and secure by installing the outer chamber in place and tightening the capscrews.

**Step 8:** On opposite side of pump thread the remaining assembly onto the diaphragm rod. Using a torque wrench tighten the assembly to the diaphragm rod. Align diaphragm through bolt holes always going forward past the recommended torque. Torque values are called out on the exploded view. **NEVER** reverse to align holes, if alignment cannot be achieved without damage to diaphragm, loosen complete assemblies rotate diaphragm and reassemble as described above.

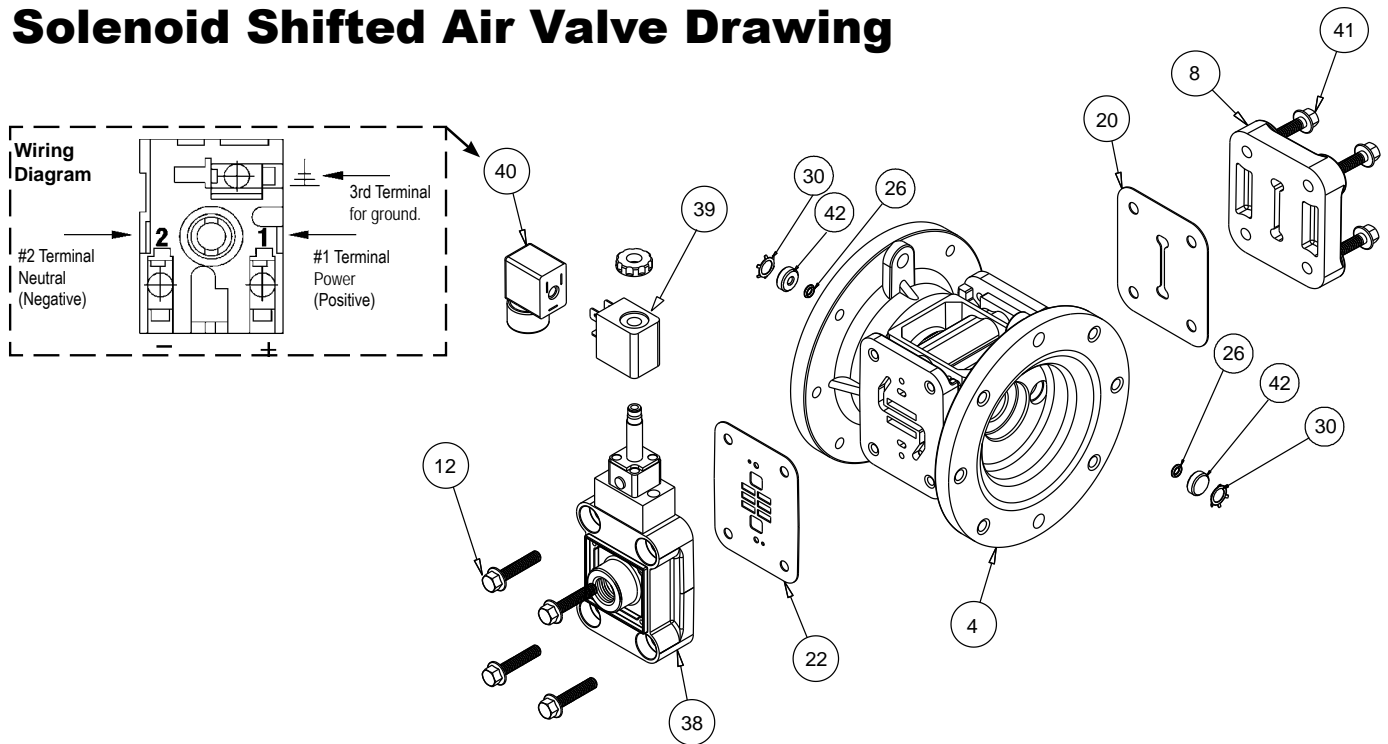
**Step 9:** Complete assembly of entire unit.  
**One Piece Diaphragm Servicing (Bonded PTFE with integral plate)** The One Piece diaphragm has a threaded stud installed in the integral plate at the factory. The inner diaphragm plate has a through hole instead of a threaded hole. Place the inner plate over the diaphragm stud and thread the first diaphragm / inner plate onto the diaphragm rod only until the inner plate contacts the rod. Do not tighten. A small amount of grease may be applied between the inner plate and the diaphragm to facilitate assembly. Insert the diaphragm / rod assembly into the pump and install the outer chamber. Turn the pump over and thread the second diaphragm / inner plate onto the diaphragm rod. Turn the diaphragm until the inner plate contacts the rod and hand tighten the assembly. Continue tightening until the bolt holes align with the inner chamber holes. **DO NOT LEAVE THE ASSEMBLY LOOSE.**

## IMPORTANT



*Read these instructions completely, before installation and start-up. It is the responsibility of the purchaser to retain this manual for reference. Failure to comply with the recommendations stated in this manual will damage the pump, and void factory warranty.*

# Solenoid Shifted Air Valve Drawing



## SOLENOID SHIFTED AIR VALVE PARTS LIST

(Includes all items used on Composite Repair Parts List except as shown)

Item	Part Number	Description	Qty
4	114.023.551	Bracket, Intermediate	1
38	893.099.000	Solenoid Valve, NEMA4	1
39	219.001.000	Solenoid Coil, 24VDC	1
	219.004.000	Solenoid Coil, 24VAC/12VDC	1
	219.002.000	Solenoid Coil, 120VAC	1
	219.003.000	Solenoid Coil, 240VAC	1
40	241.001.000	Connector, conduit	1
41	171.065.115	Capscrew, Flanged 1/4.20 x 1.00	4
42	618.050.150	Plug (Replaces Item 7)	2

## SOLENOID SHIFTED OPERATION

The Solenoid Shifted pump has a solenoid operated, air distribution valve in place of the standard pilot operated, air distribution valve. Where a pilot valve is normally utilized to cycle the pump's air distribution valve, an electric solenoid is utilized. The solenoid coil is connected to a customer-supplied control. As the solenoid is powered, one of the pump's air chambers is pressurized while the other chamber is exhausted. When electric power is turned off, the solenoid shifts and the pressurized chamber is exhausted while the other chamber is pressurized. By alternately applying and removing power to the solenoid, the pump cycles much like a standard pump, with one exception. This option provides a way to precisely control and monitor pump speed.

## BEFORE INSTALLATION

**BEFORE WIRING THE SOLENOID**, make certain it is compatible with your system voltage.



IEC EEx m T4



### ▲ For Explosion Proof Solenoid Coils used in North America and outside the European Union.

39	219.009.001	Solenoid Coil, 120VAC 60 Hz	1
	219.009.002	Solenoid Coil, 240VAC 60 Hz	1
	219.009.003	Solenoid Coil, 12VDC	1
	219.009.004	Solenoid Coil, 24VDC	1
	219.009.005	Solenoid Coil, 110VAC 50 Hz	1
	219.009.006	Solenoid Coil, 230VAC 50 Hz	1

Item 40 (Conduit Connector) is not required

## \*Special Conditions For Safe Use

A fuse corresponding to its rated current (max. 3<sup>I<sub>rat</sub></sup> according IEC 60127.2.1) or a motor protecting switch with short-circuit and thermal instantaneous tripping (set to rated current) shall be connected in series to each solenoid as short circuit protection. For very low rated currents of the solenoid the fuse of lowest current value according to the indicated IEC standard will be sufficient. The fuse may be accommodated in the associated supply unit or shall be separately arranged. The rated voltage to the fuse shall be equal to or greater than the stated rated voltage of the magnet coil. The breakage capacity of the fuse-link shall be as high as or higher than the maximum expected short circuit current at the location of the installation (usually 1500 A). A maximum permissible ripple of 20% is valid for all magnets of direct-current design.



II 2G EEx m c II T5  
II 2D c IP65 T100°C

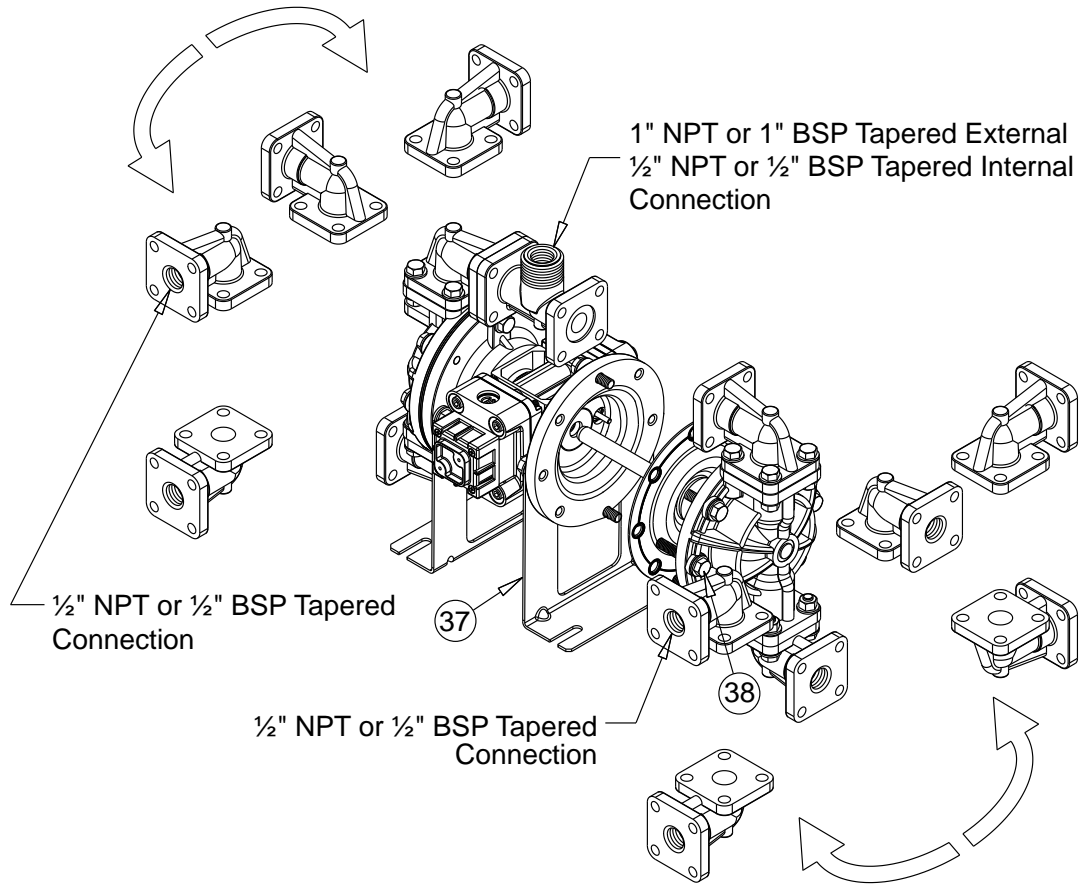
### \*◆ For ATEX Compliant Solenoid Coils used in the European Union

39	219.011.001	Solenoid Coil, Single mounting 12 VDC, 3.3W / 267mA	1
	219.011.002	Solenoid Coil, Single mounting 24 VDC, 3.3W / 136mA	1
	219.011.003	Solenoid Coil, Single mounting 110/120 VAC, 3.4W / 29mA	1
	219.011.004	Solenoid Coil, Single mounting 220/240 VAC, 3.4W / 15mA	1

Note: Item 40 (Conduit Connector) is not required

**Compressed Air Temperature Range:** Maximum Ambient Temperature to plus 50°C

# Dual Port Option Drawing



## Illustration for Dual Port Suction and Single or Dual Port Discharge

\*Dual suction/dual discharge = no manifold.

### DUAL PORT SUCTION AND/OR DUAL PORT DISCHARGE REPAIR PARTS LIST

Item	Part Number	Description	Qty
10*	171.063.115	Capscrew, Flanged 5/16-18 x 1.25	8
	171.063.308	Capscrew, Flanged 5/16-18 x 1.25	8
11*	171.064.115	Capscrew, Flanged HD 5/16-18 X 1.50	4
	171.064.308	Capscrew, Flanged HD 5/16-18 X 1.50	4
17	▲ 312.106.520N	Elbow, ½" NPT (replaces 312.106.520)	2
	312.106.521N	Elbow, ½" NPT (replaces 312.106.521)	2
	312.106.542N	Elbow, ½" NPT (replaces 312.106.542)	2
	▲ 312.106.552N	Elbow, ½" NPT (replaces 312.106.552)	2
	312.106.557N	Elbow, ½" NPT (replaces 312.106.557)	2
18	▲ 312.112.520N	Elbow, ½" NPT (replaces 312.112.520)	2
	312.112.521N	Elbow, ½" NPT (replaces 312.112.521)	2
	312.112.542N	Elbow, ½" NPT (replaces 312.112.542)	2
	▲ 312.112.552N	Elbow, ½" NPT (replaces 312.112.552)	2
	312.112.557N	Elbow, ½" NPT (replaces 312.112.557)	2
25*	544.005.115	Nut, Flanged 5/16-18	20
	544.005.308	Nut, Flanged 5/16-18	20
37	115.144.115	Bracket, Free Standing (replaces 115.140.115)	2
	115.144.306	Bracket, Free Standing (replaces 115.140.115)	2
38	171.068.115	Capscrew, Flanged 5/16-18 X 1.75	8
	171.068.308	Capscrew, Flanged 5/16-18 X 1.75	8

\*Hardware quantities are variable based on porting configurations

6: OPTIONAL

**ATEX Compliant**

### IMPORTANT



Read these instructions completely, before installation and start-up. It is the responsibility of the purchaser to retain this manual for reference. Failure to comply with the recommendations stated in this manual will damage the pump, and void factory warranty.

# 5 - YEAR Limited Product Warranty

Warren Rupp, Inc. ("Warren Rupp") warrants to the original end-use purchaser that no product sold by Warren Rupp that bears a Warren Rupp brand shall fail under normal use and service due to a defect in material or workmanship within five years from the date of shipment from Warren Rupp's factory. Warren Rupp brands include Warren Rupp®, SANDPIPER®, SANDPIPER Signature Series™, MARATHON®, Porta-Pump®, SludgeMaster™ and Tranquilizer®.

The use of non-OEM replacement parts will void (or negate) agency certifications, including CE, ATEX, CSA, 3A and EC1935 compliance (Food Contact Materials). Warren Rupp, Inc. cannot ensure nor warrant non-OEM parts to meet the stringent requirements of the certifying agencies.

**WARREN  
RUPP, INC.**

## Declaration of Conformity

**Manufacturer: Warren Rupp, Inc., 800 N. Main Street  
Mansfield, Ohio, 44902 USA**

Certifies that Air-Operated Double Diaphragm Pump Series: HDB, HDF, M Non-Metallic, S Non-Metallic, M Metallic, S Metallic, T Series, G Series, U Series, EH and SH High Pressure, RS Series, W Series, SMA and SPA Submersibles, and Tranquilizer® Surge Suppressors comply with the European Community Directive 2006/42/EC on Machinery, according to Annex VIII. This product has used Harmonized Standard EN809:1998+A1:2009, Pumps and Pump Units for Liquids - Common Safety Requirements, to verify conformance.

  
Signature of authorized person

October 20, 2005

Date of issue

Authorised Representative:  
IDEX Pump Technologies  
R79 Shannon Industrial Estate  
Shannon, Co. Clare, Ireland

Director of Engineering  
Title

Attn: Barry McMahon

February 27, 2017

Date of revision

Revision Level: F

**CE**



7. WARRANTY

# WARREN RUPP, INC.

## EC / EU Declaration of Conformity

The objective of the declaration described is in conformity with the relevant Union harmonisation legislation: Directive 94/9/EC (until April 19, 2016) and Directive 2014/34/EU (from April 20, 2016).

**Manufacturer:**

Warren Rupp, Inc.  
A Unit of IDEX Corporation  
800 North Main Street  
P.O. Box 1568  
Mansfield, OH 44902 USA

**Applicable Standard:**

EN13463-1: 2001  
EN13463-5: 2003  
EN60079-25: 2004

**Harmonised Standard:**

EN13463-1: 2009  
EN13463-5: 2011  
EN60079-25:2010

The harmonised standards have been compared to the applicable standards used for certification purposes and no changes in the state of the art technical knowledge apply to the listed equipment.

**AODD Pumps and Surge Suppressors**

Technical File No.: 203104000-1410/MER

**AODD (Air-Operated Double Diaphragm) Pumps**

EC Type Examination Certificate No. Pumps: KEMA 09ATEX0071 X

DEKRA Certification B.V. (0344)

Meander 1051  
6825 MJ Arnhem  
The Netherlands

**Hazardous Locations Applied:**

I M1 c	II 1 G c T5
II 2 G Ex ia c II CT5	II 1 D c T100°C
II 2 D Ex c iaD 20 IP67 T100°C	II 2 G c T5
II 2 G Eex m c II T5	II 2 D c T100°C
II 2 D c IP65 T100°C	II 2 G c IIB T5

# SANDPIPER®

A WARREN RUPP, INC. BRAND

# Tranquilizer®

DATE/APPROVAL/TITLE:  
18 March 2016

*David Roseberry*  
David Roseberry, Director of Engineering

7: WARRANTY