

SERVICE & OPERATING MANUAL

Original Instructions



- 1: PUMP SPECS
- 2: INSTAL & OP
- 3: EXP VIEW
- 4: AIR END
- 5: WET END
- 6: OPTIONAL
- 7: WARRANTY

Certified Quality



ISO 9001 Certified
ISO 14001 Certified



Warren Rupp, Inc.
A Unit of IDEX Corporation
800 N. Main St.,
Mansfield, Ohio 44902 USA
Telephone (419) 524.8388
Fax (419) 522.7867
SANDPIPERPUMP.COM

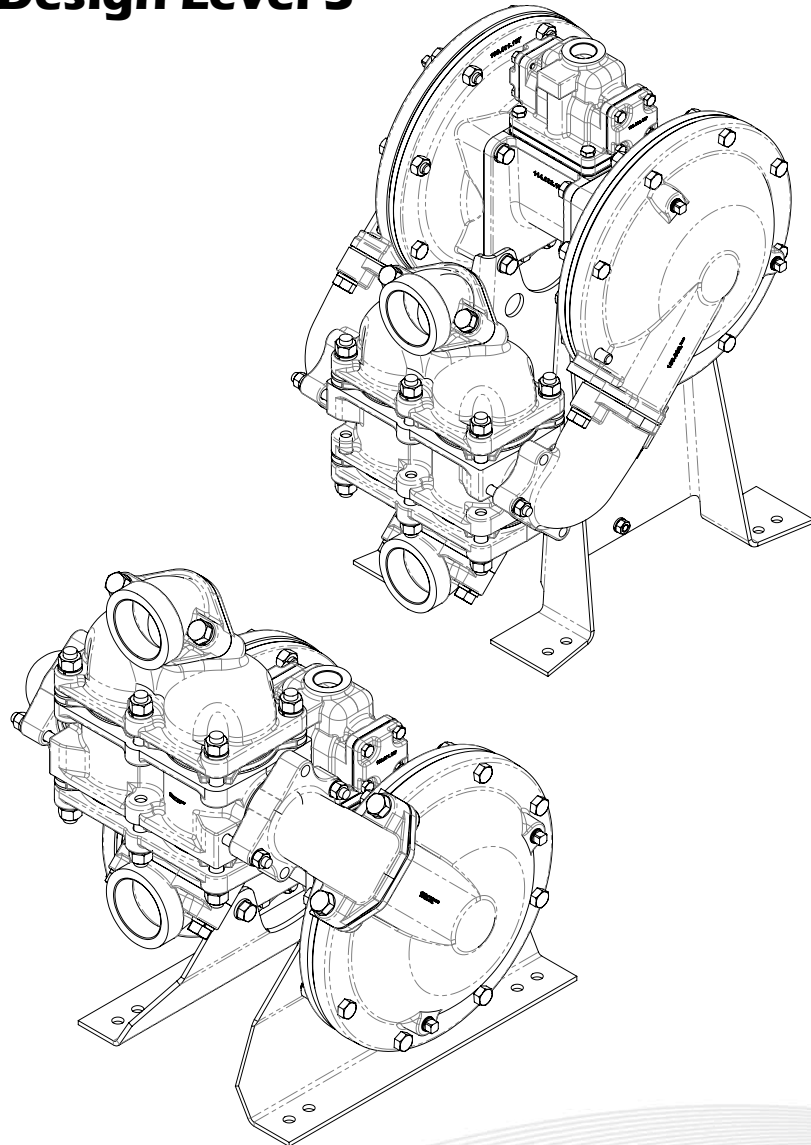


©2017 Warren Rupp, Inc.

HDB2 / HDB50

Heavy Duty Ball Valve

Design Level 3



SANDPIPER[®]
A WARREN RUPP, INC. BRAND

SANDPIPERPUMP.COM

Safety Information

IMPORTANT



Read the safety warnings and instructions in this manual before pump installation and start-up. Failure to comply with the recommendations stated in this manual could damage the pump and void factory warranty.



When the pump is used for materials that tend to settle out or solidify, the pump should be flushed after each use to prevent damage. In freezing temperatures the pump should be completely drained between uses.

CAUTION



Before pump operation, inspect all fasteners for loosening caused by gasket creep. Retighten loose fasteners to prevent leakage. Follow recommended torques stated in this manual.



Nonmetallic pumps and plastic components are not UV stabilized. Ultraviolet radiation can damage these parts and negatively affect material properties. Do not expose to UV light for extended periods of time.



WARNING
The use of non-OEM replacement parts will void (or negate) agency certifications, including CE, ATEX, CSA, 3A and EC1935 compliance (Food Contact Materials). Warren Rupp, Inc. cannot ensure nor warrant non-OEM parts to meet the stringent requirements of the certifying agencies.

RECYCLING

Many components of SANDPIPER® AODD pumps are made of recyclable materials. We encourage pump users to recycle worn out parts and pumps whenever possible, after any hazardous pumped fluids are thoroughly flushed.

WARNING



When used for toxic or aggressive fluids, the pump should always be flushed clean prior to disassembly.



Before maintenance or repair, shut off the compressed air line, bleed the pressure, and disconnect the air line from the pump. Be certain that approved eye protection and protective clothing are worn at all times. Failure to follow these recommendations may result in serious injury or death.



Airborne particles and loud noise hazards. Wear eye and ear protection.



In the event of diaphragm rupture, pumped material may enter the air end of the pump, and be discharged into the atmosphere. If pumping a product that is hazardous or toxic, the air exhaust must be piped to an appropriate area for safe containment.



Take action to prevent static sparking. Fire or explosion can result, especially when handling flammable liquids. The pump, piping, valves, containers and other miscellaneous equipment must be properly grounded.

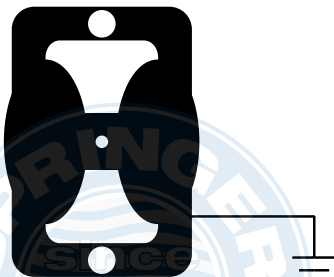


This pump is pressurized internally with air pressure during operation. Make certain that all fasteners are in good condition and are reinstalled properly during reassembly.



Use safe practices when lifting

Grounding ATEX Pumps



ATEX compliant pumps are suitable for use in explosive atmospheres when the equipment is properly grounded in accordance with local electrical codes. Pumps equipped with electrically conductive diaphragms are suitable for the transfer of conductive or non-conductive fluids of any explosion group. When operating pumps equipped with non-conductive diaphragms that exceed the maximum permissible projected area, as defined in EN 13463-1: 2009 section 6.7.5 table 9, the following protection methods must be applied:

- Equipment is always used to transfer electrically conductive fluids or
- Explosive environment is prevented from entering the internal portions of the pump, i.e. dry running

For further guidance on ATEX applications, please consult the factory.

Table of Contents

SECTION 1: PUMP SPECIFICATIONS.....1

- Explanation of Nomenclature
- Performance
- Materials
- Dimensional Drawings

SECTION 2: INSTALLATION & OPERATION.....5

- Principle of Pump Operation
- Recommended Installation Guide
- Troubleshooting Guide

SECTION 3: EXPLODED VIEW8

- Composite Repair Parts Drawing
- Composite Repair Parts List
- Down Ported Option Drawing
- Material Codes

SECTION 4: AIR END.....12

- Air Distribution Valve Assembly
- Pilot Valve Assembly

SECTION 5: WET END14

- Diaphragm Servicing

SECTION 7: WARRANTY & CERTIFICATES15

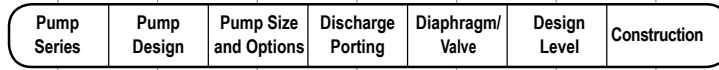
- Warranty
- CE Declaration of Conformity - Machinery
- ATEX Declaration of Conformity



Explanation of Pump Nomenclature

1: PUMP SPECS

Your Model #:
(fill in from pump nameplate)



Model #: **XX** **X** **XXXXXX, XX** **XXX** **X** **XX**

Pump Series

HD Heavy Duty

Pump Design

B Solid Ball

Pump Size & Options

2"

P1 Intrinsically Safe ATEX Compliant Pulse Output

SB Stainless-Brass sleeve and spool set

Discharge Porting Position

D Down Ported

T Top

Diaphragm Check Valve Materials

B Nitrile

C FKM with PTFE

F FDA Accepted White Nitrile

GN Neoprene Backup with PTFE Overlay and PTFE Check Balls

GR Hytrel Backup w/ PTFE Overlay/PTFE Balls

GS Santoprene Backup with PTFE overlay and PTFE Check Balls

GZ PTFE/Nitrile Bonded One-Piece/PTFE Balls

H EPDM with PTFE

I EPDM

N Neoprene

R Hytrel

S Santoprene

U Santoprene with PTFE

V FKM

Design Level

8

Construction

A Aluminum Wetted, Aluminum Air

CI Cast Iron Wetted, Aluminum Air

II Cast Iron Wetted, Cast Iron Air

SI Stainless Steel Wetted, Cast Iron Air

SS Stainless Steel Wetted, Aluminum Air

HC Alloy-C Wetted, Aluminum Air

HI Alloy-C Wetted, Cast Iron Air

Your Serial #: (fill in from pump nameplate) _____

ATEX Detail

	ATEX Detail	Construction	Options
	II 1G c T5 II 1D c T100°C I M1 c I M2 c	II, SI, HI	N/A
	II 2G c T5 II 2D c T100°C	A, CI, II, HI, HC, SI, SS	N/A



Performance

HDB2/HDB50

SUCTION/DISCHARGE PORT SIZE

- HDB2: 2" NPT
- HDB50: 2" BSP (Tapered)

CAPACITY

- 0 to 135 gallons per minute (0 to 511 liters per minute)

AIR DISTRIBUTION VALVE

- No-lube, no-stall design

SOLIDS-HANDLING

- Up to .38 in. (9 mm)

HEADS UP TO

- 125 psi or 289 ft. of water (8.8 Kg/cm² or 88 meters)

MAXIMUM OPERATING PRESSURE

- 125 psi (8.6 bar)

DISPLACEMENT/STROKE

- .46 Gallon / 1.7 liter

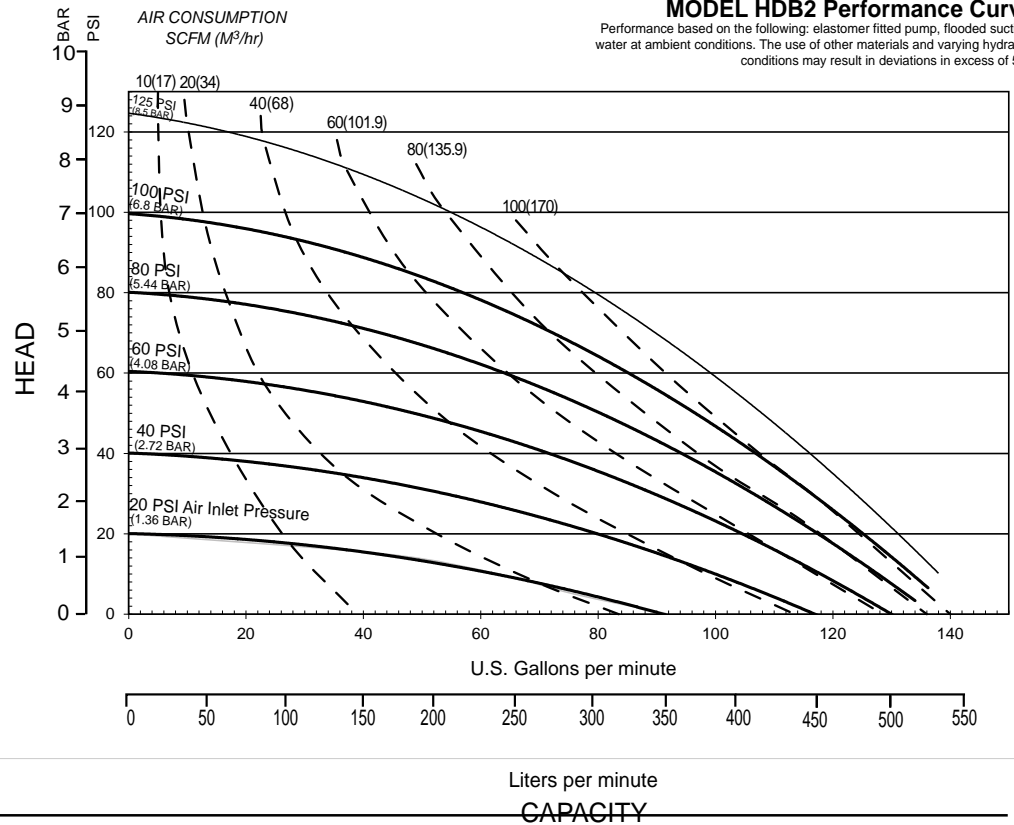
SHIPPING WEIGHT

- Aluminum 90 lbs. (41kg)
- Cast Iron 120 lbs. (55kg)
- Stainless Steel 143 lbs. (66kg)

*Add 40 lbs for cast iron center section

MODEL HDB2 Performance Curve

Performance based on the following: elastomer fitted pump, flooded suction, water at ambient conditions. The use of other materials and varying hydraulic conditions may result in deviations in excess of 5%.



1: PUMP SPECS

Materials

Material Profile:

CAUTION! Operating temperature limitations are as follows:

	Operating Temperatures:	
	Max.	Min.
Conductive Acetal: Tough, impact resistant, ductile. Good abrasion resistance and low friction surface. Generally inert, with good chemical resistance except for strong acids and oxidizing agents.	190°F 88°C	-20°F -29°C
EPDM: Shows very good water and chemical resistance. Has poor resistance to oils and solvents, but is fair in ketones and alcohols.	280°F 138°C	-40°F -40°C
FKM: (Fluorocarbon) Shows good resistance to a wide range of oils and solvents; especially all aliphatic, aromatic and halogenated hydrocarbons, acids, animal and vegetable oils. Hot water or hot aqueous solutions (over 70°F(21°C)) will attack FKM.	350°F 177°C	-40°F -40°C
Hytrel®: Good on acids, bases, amines and glycols at room temperatures only.	220°F 104°C	-20°F -29°C
Neoprene: All purpose. Resistance to vegetable oils. Generally not affected by moderate chemicals, fats, greases and many oils and solvents. Generally attacked by strong oxidizing acids, ketones, esters and nitro hydrocarbons and chlorinated aromatic hydrocarbons.	200°F 93°C	-10°F -23°C
Nitrile: General purpose, oil-resistant. Shows good solvent, oil, water and hydraulic fluid resistance. Should not be used with highly polar solvents like acetone and MEK, ozone, chlorinated hydrocarbons and nitro hydrocarbons.	190°F 88°C	-10°F -23°C
Nylon: 6/6 High strength and toughness over a wide temperature range. Moderate to good resistance to fuels, oils and chemicals.	180°F 82°C	32°F 0°C

Ambient temperature range: -20°C to +40°C
Process temperature range: -20°C to +80°C for models rated as category 1 equipment
 -20°C to +100°C for models rated as category 2 equipment

In addition, the ambient temperature range and the process temperature range do not exceed the operating temperature range of the applied non-metallic parts as listed in the manuals of the pumps.

Polypropylene: A thermoplastic polymer. Moderate tensile and flex strength. Resists strong acids and alkali. Attacked by chlorine, fuming nitric acid and other strong oxidizing agents.	180°F 82°C	32°F 0°C
PVDF: (Polyvinylidene Fluoride) A durable fluoroplastic with excellent chemical resistance. Excellent for UV applications. High tensile strength and impact resistance.	250°F 121°C	0°F -18°C
Santoprene®: Injection molded thermoplastic elastomer with no fabric layer. Long mechanical flex life. Excellent abrasion resistance.	275°F 135°C	-40°F -40°C
UHMW PE: A thermoplastic that is highly resistant to a broad range of chemicals. Exhibits outstanding abrasion and impact resistance, along with environmental stress-cracking resistance.	180°F 82°C	-35°F -37°C
Urethane: Shows good resistance to abrasives. Has poor resistance to most solvents and oils.	150°F 66°C	32°F 0°C
Virgin PTFE: (PFA/TFE) Chemically inert, virtually impervious. Very few chemicals are known to chemically react with PTFE; molten alkali metals, turbulent liquid or gaseous fluorine and a few fluoro-chemicals such as chlorine trifluoride or oxygen difluoride which readily liberate free fluorine at elevated temperatures.	220°F 104°C	-35°F -37°C

Maximum and Minimum Temperatures are the limits for which these materials can be operated. Temperatures coupled with pressure affect the longevity of diaphragm pump components. Maximum life should not be expected at the extreme limits of the temperature ranges.

Metals:

Alloy C: Equal to ASTM494 CW-12M-1 specification for nickel and nickel alloy.
Stainless Steel: Equal to or exceeding ASTM specification A743 CF-8M for corrosion resistant iron chromium, iron chromium nickel and nickel based alloy castings for general applications. Commonly referred to as 316 Stainless Steel in the pump industry.

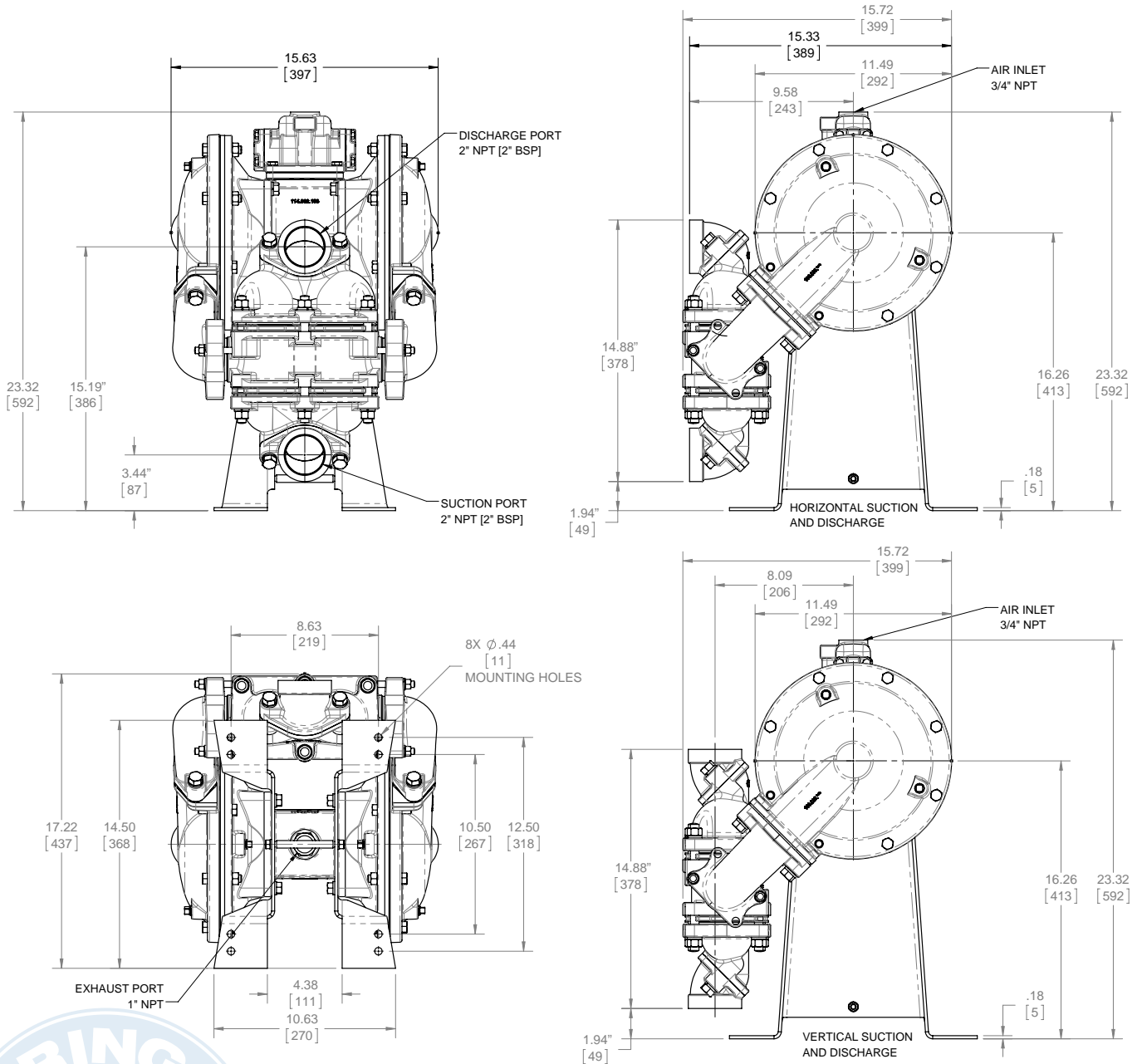
For specific applications, always consult the Chemical Resistance Chart.

Dimensional Drawings

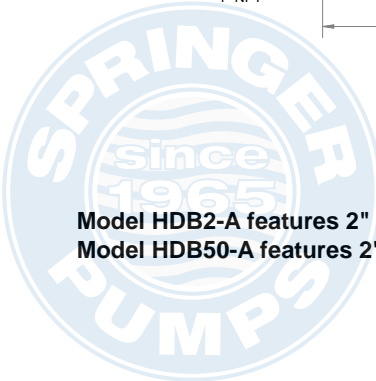
HDB2 & HDB50, Down Ported

Dimensions are ± .13" (3mm). Figures in parenthesis = millimeters

1: PUMP SPECS



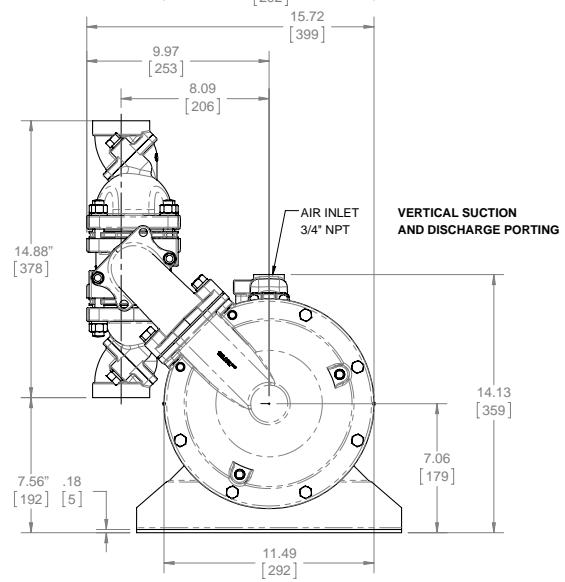
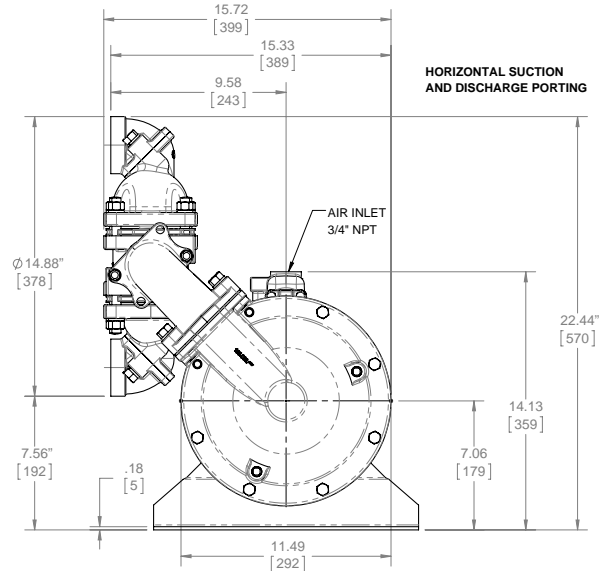
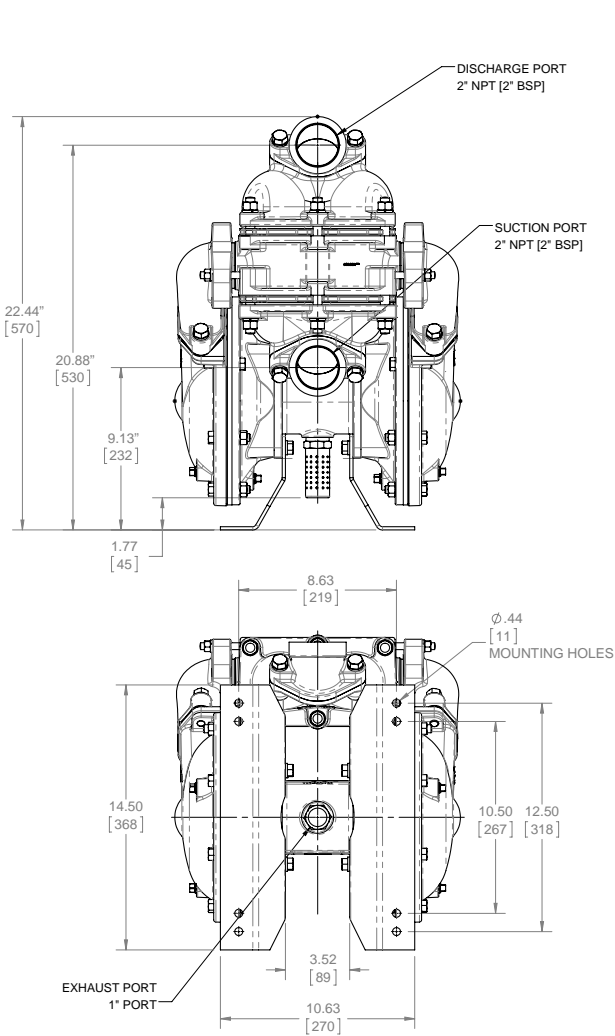
Model HDB2-A features 2" NPT threaded connections.
Model HDB50-A features 2" BSP Tapered connections.



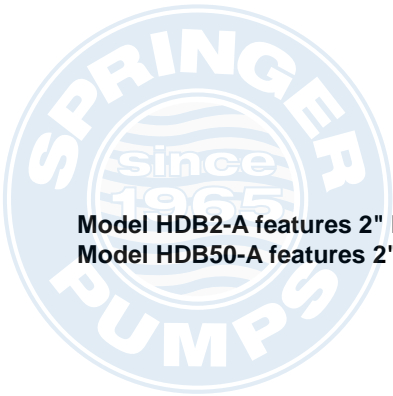
Dimensional Drawings

HDB2 & HDB50, Top Ported

Dimensions are ± .13" (3mm). Figures in parenthesis = millimeters



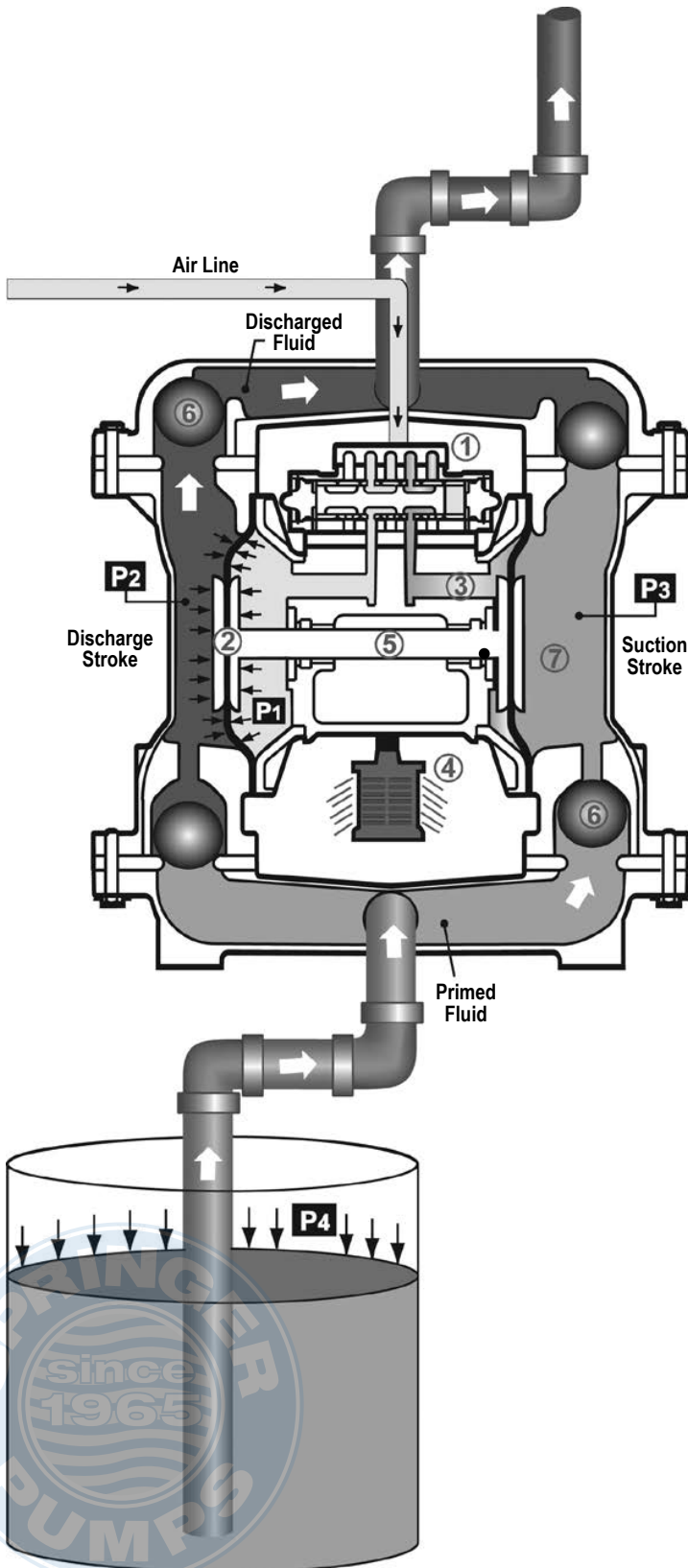
2: INSTAL & OP



Model HDB2-A features 2" NPT threaded connections.
Model HDB50-A features 2" BSP Tapered connections.

Principle of Pump Operation

2: INSTAL & OP



Air-Operated Double Diaphragm (AODD) pumps are powered by compressed air or nitrogen.

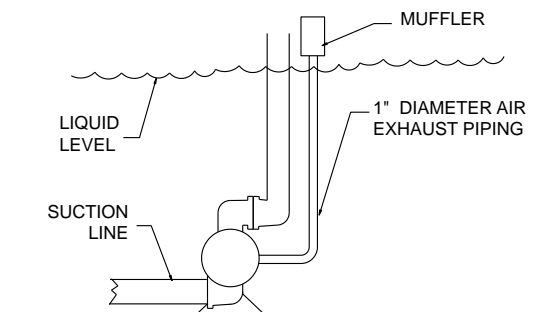
The main directional (air) control valve ① distributes compressed air to an air chamber, exerting uniform pressure over the inner surface of the diaphragm ②. At the same time, the exhausting air ③ from behind the opposite diaphragm is directed through the air valve assembly(s) to an exhaust port ④.

As inner chamber pressure (**P1**) exceeds liquid chamber pressure (**P2**), the rod ⑤ connected diaphragms shift together creating discharge on one side and suction on the opposite side. The discharged and primed liquid's directions are controlled by the check valves (ball or flap)⑥ orientation.

The pump primes as a result of the suction stroke. The suction stroke lowers the chamber pressure (**P3**) increasing the chamber volume. This results in a pressure differential necessary for atmospheric pressure (**P4**) to push the fluid through the suction piping and across the suction side check valve and into the outer fluid chamber ⑦.

Suction (side) stroking also initiates the reciprocating (shifting, stroking or cycling) action of the pump. The suction diaphragm's movement is mechanically pulled through its stroke. The diaphragm's inner plate makes contact with an actuator plunger aligned to shift the pilot signaling valve. Once actuated, the pilot valve sends a pressure signal to the opposite end of the main directional air valve, redirecting the compressed air to the opposite inner chamber.

SUBMERGED ILLUSTRATION



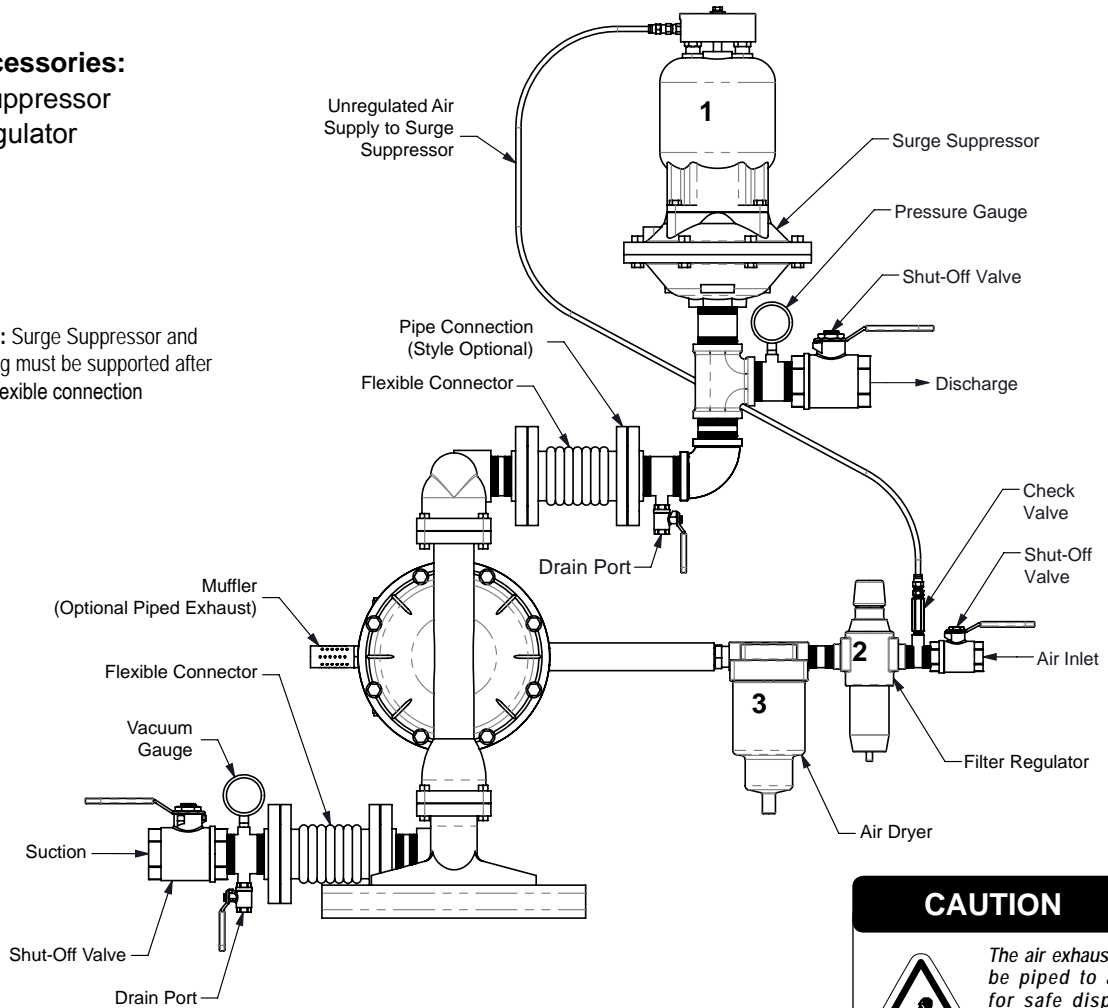
Pump can be submerged if the pump materials of construction are compatible with the liquid being pumped. The air exhaust must be piped above the liquid level. When the pumped product source is at a higher level than the pump (flooded suction condition), pipe the exhaust higher than the product source to prevent siphoning spills.

Recommended Installation Guide

Available Accessories:

1. Surge Suppressor
2. Filter/Regulator
3. Air Dryer

Note: Surge Suppressor and Piping must be supported after the flexible connection



CAUTION



The air exhaust should be piped to an area for safe disposition of the product being pumped, in the event of a diaphragm failure.

Installation And Start-Up

Locate the pump as close to the product being pumped as possible. Keep the suction line length and number of fittings to a minimum. Do not reduce the suction line diameter.

Air Supply

Connect the pump air inlet to an air supply with sufficient capacity and pressure to achieve desired performance. A pressure regulating valve should be installed to insure air supply pressure does not exceed recommended limits.

Air Valve Lubrication

The air distribution system is designed to operate WITHOUT lubrication. This is the standard mode of operation. If lubrication is desired, install an air line lubricator set to deliver one drop of SAE 10 non-detergent oil for every 20 SCFM (9.4 liters/sec.) of air the pump consumes. Consult the Performance Curve to determine air consumption.

Air Line Moisture

Water in the compressed air supply may cause icing or freezing of the exhaust air, causing the pump to cycle erratically or stop operating. Water in the air supply can be reduced by using a point-of-use air dryer.

Air Inlet And Priming

To start the pump, slightly open the air shut-off valve. After the pump primes, the air valve can be opened to increase air flow as desired. If opening the valve increases cycling rate, but does not increase the rate of flow, cavitation has occurred. The valve should be closed slightly to obtain the most efficient air flow to pump flow ratio.

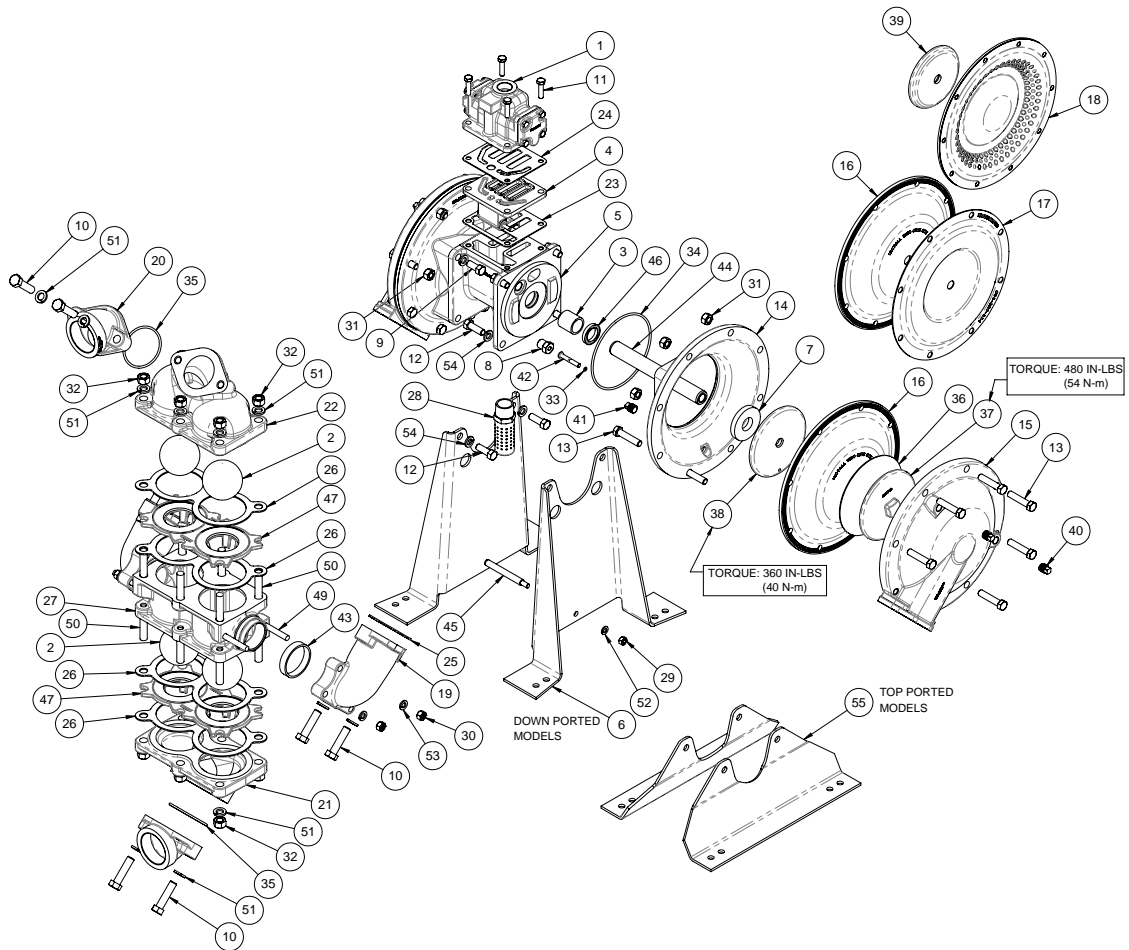
Troubleshooting Guide

2: INSTAL & OP

Symptom:	Potential Cause(s):	Recommendation(s):
Pump Cycles Once	Deadhead (system pressure meets or exceeds air supply pressure).	Increase the inlet air pressure to the pump. Pump is designed for 1:1 pressure ratio at zero flow. (Does not apply to high pressure 2:1 units).
	Air valve or intermediate gaskets installed incorrectly.	Install gaskets with holes properly aligned.
	Bent or missing actuator plunger.	Remove pilot valve and inspect actuator plungers.
Pump Will Not Operate / Cycle	Pump is over lubricated.	Set lubricator on lowest possible setting or remove. Units are designed for lube free operation.
	Lack of air (line size, PSI, CFM).	Check the air line size and length, compressor capacity (HP vs. cfm required).
	Check air distribution system.	Disassemble and inspect main air distribution valve, pilot valve and pilot valve actuators.
	Discharge line is blocked or clogged manifolds.	Check for inadvertently closed discharge line valves. Clean discharge manifolds/piping.
	Deadhead (system pressure meets or exceeds air supply pressure).	Increase the inlet air pressure to the pump. Pump is designed for 1:1 pressure ratio at zero flow. (Does not apply to high pressure 2:1 units).
	Blocked air exhaust muffler.	Remove muffler screen, clean or de-ice, and re-install.
	Pumped fluid in air exhaust muffler.	Disassemble pump chambers. Inspect for diaphragm rupture or loose diaphragm plate assembly.
	Pump chamber is blocked.	Disassemble and inspect wetted chambers. Remove or flush any obstructions.
Pump Cycles and Will Not Prime or No Flow	Cavitation on suction side.	Check suction condition (move pump closer to product).
	Check valve obstructed. Valve ball(s) not seating properly or sticking.	Disassemble the wet end of the pump and manually dislodge obstruction in the check valve pocket. Clean out around valve ball cage and valve seat area. Replace valve ball or valve seat if damaged. Use heavier valve ball material.
	Valve ball(s) missing (pushed into chamber or manifold).	Worn valve ball or valve seat. Worn fingers in valve ball cage (replace part). Check Chemical Resistance Guide for compatibility.
	Valve ball(s) / seat(s) damaged or attacked by product.	Check Chemical Resistance Guide for compatibility.
	Check valve and/or seat is worn or needs adjusting.	Inspect check valves and seats for wear and proper setting. Replace if necessary.
	Suction line is blocked.	Remove or flush obstruction. Check and clear all suction screens or strainers.
	Excessive suction lift.	For lifts exceeding 20' of liquid, filling the chambers with liquid will prime the pump in most cases.
	Suction side air leakage or air in product.	Visually inspect all suction-side gaskets and pipe connections.
	Pumped fluid in air exhaust muffler.	Disassemble pump chambers. Inspect for diaphragm rupture or loose diaphragm plate assembly.
	Pump Cycles Running Sluggish / Stalling, Flow Unsatisfactory	Over lubrication.
Icing.		Remove muffler screen, de-ice, and re-install. Install a point of use air drier.
Clogged manifolds.		Clean manifolds to allow proper air flow.
Deadhead (system pressure meets or exceeds air supply pressure).		Increase the inlet air pressure to the pump. Pump is designed for 1:1 pressure ratio at zero flow. (Does not apply to high pressure 2:1 units).
Cavitation on suction side.		Check suction (move pump closer to product).
Lack of air (line size, PSI, CFM).		Check the air line size, length, compressor capacity.
Excessive suction lift.		For lifts exceeding 20' of liquid, filling the chambers with liquid will prime the pump in most cases.
Air supply pressure or volume exceeds system hd.		Decrease inlet air (press. and vol.) to the pump. Pump is cavitating the fluid by fast cycling.
Undersized suction line.		Meet or exceed pump connections.
Restrictive or undersized air line.		Install a larger air line and connection.
Suction side air leakage or air in product.		Visually inspect all suction-side gaskets and pipe connections.
Suction line is blocked.		Remove or flush obstruction. Check and clear all suction screens or strainers.
Pumped fluid in air exhaust muffler.		Disassemble pump chambers. Inspect for diaphragm rupture or loose diaphragm plate assembly.
Check valve obstructed.		Disassemble the wet end of the pump and manually dislodge obstruction in the check valve pocket.
Check valve and/or seat is worn or needs adjusting.		Inspect check valves and seats for wear and proper setting. Replace if necessary.
Product Leaking Through Exhaust	Entrained air or vapor lock in chamber(s).	Purge chambers through tapped chamber vent plugs. Purging the chambers of air can be dangerous.
	Diaphragm failure, or diaphragm plates loose.	Replace diaphragms, check for damage and ensure diaphragm plates are tight.
Premature Diaphragm Failure	Diaphragm stretched around center hole or bolt holes.	Check for excessive inlet pressure or air pressure. Consult Chemical Resistance Chart for compatibility with products, cleaners, temperature limitations and lubrication.
	Cavitation.	Enlarge pipe diameter on suction side of pump.
	Excessive flooded suction pressure.	Move pump closer to product. Raise pump/place pump on top of tank to reduce inlet pressure. Install Back pressure device (Tech bulletin 41r). Add accumulation tank or pulsation dampener.
	Misapplication (chemical/physical incompatibility).	Consult Chemical Resistance Chart for compatibility with products, cleaners, temperature limitations and lubrication.
Unbalanced Cycling	Incorrect diaphragm plates or plates on backwards, installed incorrectly or worn.	Check Operating Manual to check for correct part and installation. Ensure outer plates have not been worn to a sharp edge.
	Excessive suction lift.	For lifts exceeding 20' of liquid, filling the chambers with liquid will prime the pump in most cases.
	Undersized suction line.	Meet or exceed pump connections.
	Pumped fluid in air exhaust muffler.	Disassemble pump chambers. Inspect for diaphragm rupture or loose diaphragm plate assembly.
	Suction side air leakage or air in product.	Visually inspect all suction-side gaskets and pipe connections.
	Check valve obstructed.	Disassemble the wet end of the pump and manually dislodge obstruction in the check valve pocket.
	Check valve and/or seat is worn or needs adjusting.	Inspect check valves and seats for wear and proper setting. Replace if necessary.
	Entrained air or vapor lock in chamber(s).	Purge chambers through tapped chamber vent plugs.

For additional troubleshooting tips contact After Sales Support at service.warrenrupp@idexcorp.com or 419-524-8388

Composite Repair Parts Drawing



3: EXP VIEW

Service & Repair Kits

- 476.247.000 Air End Kit**
Sleeve and Spool Set, O-rings, Bumpers, U-Cup Seals, and Gaskets.
- 476.245.354 Wet End Kit**
Santoprene Diaphragms, Santoprene Balls, Santoprene Wear Pads, Conductive PTFE Seat Gaskets, Fiber Manifold Gaskets, Nitrile O-rings
- 476.245.360 Wet End Kit**
Nitrile Diaphragms, Weighted Nitrile Balls, Conductive Nitrile Seat Gaskets, Fabric Manifold Gaskets, Nitrile O-Rings, Nitrile Wear Pads
- 476.245.364 Wet End Kit**
EPDM Diaphragms, EPDM Balls, Conductive PTFE Seat Gaskets, Fabric Manifold Gaskets, Nitrile O-rings, EPDM Wear Pads
- 476.245.365 Wet End Kit**
Neoprene Diaphragms, Weighted Neoprene Balls, Conductive Neoprene Seat Gaskets, Fabric Manifold Gaskets, Nitrile O-rings, Neoprene Wear Pads

- 476.245.644 Wet End Kit**
Santoprene Diaphragms, PTFE Balls, Conductive PTFE Seat Gaskets, PTFE Manifold Gaskets, PTFE Encapsulated O-rings, EPDM Wear Pads
- 476.245.633 Wet End Kit**
FKM Diaphragms, FKM Wear Pads, PTFE Balls, Conductive PTFE Seat Gaskets, FKM Seals, PTFE Encapsulated O-rings
- 476.043.635 Wet End Kit**
Neoprene Diaphragms, and PTFE Overlay Diaphragm, Balls, Sealing Rings, O-rings, & Gaskets
- 476.043.663 Wet End Kit**
Hytel Diaphragms, and PTFE Overlay Diaphragm, Balls, Sealing Rings, O-rings, & Gaskets

Composite Repair Parts List

Item	Part Number	Description	Qty.		Part Number	Description	Qty.
1	031.212.156	Air Valve Assy (Aluminum Center - see pg #11 for details)	1	23	360.041.379	Gasket, Pilot Valve	1
	031.212.010	Air Valve Assy (Cast Iron Center)	1	24	360.048.425	Gasket, Air Valve	1
	031.212.001	Air Valve Assy (Alum Center SS/BRASS Slv Spool-High Clearance)	1	25	360.049.425	Gasket, Manifold - Fiber	2
	031.212.004	Air Valve Assy (Alum Center SS/BRASS Slv-Spool)	1	26	360.049.603	Gasket, Manifold - Gylon	2
	031.213.156	Air Valve Assy (Alum Center - stroke Indicator)	1		360.050.379	Gasket, Manifold - Conductive Buna	4
	031.213.010	Air Valve Assy (Cast Iron Center - stroke Indicator)	1		360.050.384	Gasket, Manifold - Conductive Neoprene	4
2	050.017.354	Ball, Check - Santoprene	4	27	360.050.608	Gasket, Manifold - Conductive PTFE	4
	050.017.360W	Ball, Check - Buna (weighted)	4		518.027.156	Manifold (w/ alum wetted) Includes items #49 & #50	1
	050.017.363	Ball, Check - FKM	4		518.027.010	Manifold (w/ cast iron wetted) Includes items #49 & #50	1
	050.017.364W	Ball, Check - EPDM (weighted)	4		518.027.110	Manifold (w/ stainless wetted) Includes items #49 & #50	1
	050.017.365W	Ball, Check - Neoprene (weighted)	4		518.027.112	Manifold (w/ alloy-C wetted) Includes items #49 & #50	1
	050.018.600	Ball, Check - PTFE	4	28	530.033.000	Muffler, Metal	1
3	070.006.170	Bushing, Intermediate (included in item #5)	2	29	545.004.330	Nut, Hex 5/16-18 (down ported units only)	2
4	095.073.001	Pilot Valve Assy	1	30	545.005.330	Nut, Hex 3/8-16	4
5	114.002.156	Intermediate (w/ aluminum center)	1	31	545.007.330	Nut, Hex 7/16-14	12
	114.002.010	Intermediate (w/ cast iron center)	1	32	545.008.330	Nut, Hex 1/2 x 13	12
6	115.057.080	Bracket, Leg (Down Ported)	2	33	560.001.360	O-ring	2
7	132.002.360	Bumper, Diaphragm	2	34	560.022.360	O-ring	2
8	135.016.162	Bushing, Plunger	2	35	560.047.360	O-ring	2
9	170.024.330	Capscrew, Hx-Hd 7/16-14 x 1.00	4		560.060.611	O-ring (FKM / PTFE units)	2
10	170.030.330	Capscrew, Hx-Hd 1/2-13 x 2.00	8	36	570.009.360	Pad, Wear - Buna	2
11	170.045.330	Capscrew, Hx-Hd 5/16-18 x 1.25	4		570.009.363	Pad, Wear - FKM	2
12	170.058.330	Capscrew, Hx-Hd 7/16-14 x 1.25	4		570.009.364	Pad, Wear - EPDM/Santoprene	2
13	170.060.330	Capscrew, Hx-Hd 7/16-14 x 2.00	16		570.009.365	Pad, Wear - Neoprene	2
14	196.001.157	Chamber, Inner (w/ aluminum center) Includes #41	2	37	612.039.157	Plate, Outer Diaphragm Assy (w/ aluminum wetted)	2
	196.001.010	Chamber, Inner (w/ cast iron center) Includes #41	2		612.039.010	Plate, Outer Diaphragm Assy (w/ cast iron wetted)	2
15	196.035.156	Chamber, Outer (w/ aluminum wetted) Includes #41	2		612.097.110	Plate, Outer Diaphragm Assy (w/ stainless wetted)	2
	196.035.010	Chamber, Outer (w/ cast iron wetted) Includes #40	2	38	612.097.112	Plate, Outer Diaphragm Assy (w/ alloy-c wetted)	2
	196.035.110	Chamber, Outer (w/ stainless wetted) Includes #40	2	39	612.047.330	Plate, Inner Diaphragm	2
	196.035.112	Chamber, Outer (w/ alloy-C wetted) Includes #40	2	40	612.215.330	Plate, Inner Diaphragm (w/ Synthesis Diaphs item #18)	2
16	286.007.354	Diaphragm - Santoprene	2		618.003.330	Plug, Pipe 1/4" (w/ aluminum / cast iron wetted)	4
	286.007.356	Diaphragm - Hytrel	2		618.003.110	Plug, Pipe 1/4" (w/ stainless wetted)	4
	286.007.360	Diaphragm - Buna	2		618.003.112	Plug, Pipe 1/4" (w/ alloy-c wetted)	4
	286.007.363	Diaphragm - FKM	2	41	618.003.330	Plug, Pipe 1/4" (w/ aluminum / cast iron wetted)	2
	286.007.364	Diaphragm - EPDM	2	42	620.011.114	Plunger, Actuator	2
	286.007.365	Diaphragm - Neoprene	2	43	675.013.360	Ring, Sealing - Buna	2
17	286.020.604	Diaphragm, Overlay - PTFE	2		675.013.363	Ring, Sealing - FKM	2
18	286.118.000	Diaphragm, Synthesis - One Piece PTFE (uses item #39)	2		675.013.364	Ring, Sealing - EPDM	2
19	312.033.156	Elbow, Manifold (w/ aluminum wetted)	2		675.013.365	Ring, Sealing - Neoprene	2
	312.033.010	Elbow, Manifold (w/ cast iron wetted)	2		675.013.600	Ring, Sealing - PTFE	2
	312.033.110	Elbow, Manifold (w/ stainless wetted)	2	44	685.007.120	Rod, Diaphragm	1
	312.033.112	Elbow, Manifold (w/ alloy-C wetted)	2	45	685.032.080	Rod, Connecting, Foot Bracket	1
20	334.025.156	Porting Flange, Threaded NPT (w/ aluminum wetted)	2	46	720.004.360	Seal, U-Cup	2
	334.025.010	Porting Flange, Threaded NPT (w/ cast iron wetted)	2	47	722.097.110	Seat, Check Valve	2
	334.025.110	Porting Flange, Threaded NPT (w/ stainless wetted)	2		722.097.112	Seat, Check Valve (w/ alloy-c wetted)	2
	334.025.112	Porting Flange, Threaded NPT (w/ alloy-C wetted)	2	48	807.026.330	Stud, Diaphragm Plate (not shown - included with #37)	2
	334.025.156E	Porting Flange, Threaded BSPT (w/ aluminum wetted)	2	49	807.038.330	Stud, Threaded-3/8", Manifold (included with #27)	4
	334.025.010E	Porting Flange, Threaded BSPT (w/ cast iron wetted)	2	50	807.039.330	Stud, Threaded-1/2", Manifold (included with #27)	12
	334.025.110E	Porting Flange, Threaded BSPT (w/ stainless wetted)	2	51	900.003.330	Washer, Lock 1/2"	20
	334.025.112E	Porting Flange, Threaded BSPT (w/ alloy-C wetted)	2	52	900.004.330	Washer, Lock 5/16" (down ported only)	2
21	334.026.156	Flange, Suction (w/ aluminum wetted)	1	53	900.005.330	Washer, Lock 3/8"	6
	334.026.010	Flange, Suction (w/ cast iron wetted)	1	54	900.006.330	Washer, Lock 7/16" (side ported units)	8
	334.026.110	Flange, Suction (w/ stainless wetted)	1	55	115.053.080	Bracket, Leg (Top Ported)	2
	334.026.112	Flange, Suction (w/ alloy-C wetted)	1				
22	334.027.156	Flange, Discharge (w/ aluminum wetted)	1				
	334.027.010	Flange, Discharge (w/ cast iron wetted)	1				
	334.027.110	Flange, Discharge (w/ stainless wetted)	1				
	334.027.112	Flange, Discharge (w/ alloy-C wetted)	1				

LEGEND:

○ = Items contained within Air End Kits

□ = Items contained within Wet End Kits

* Air End Kit only includes sleeve and spool set, not entire air valve assembly

Note: Kits contain components specific to the material codes.

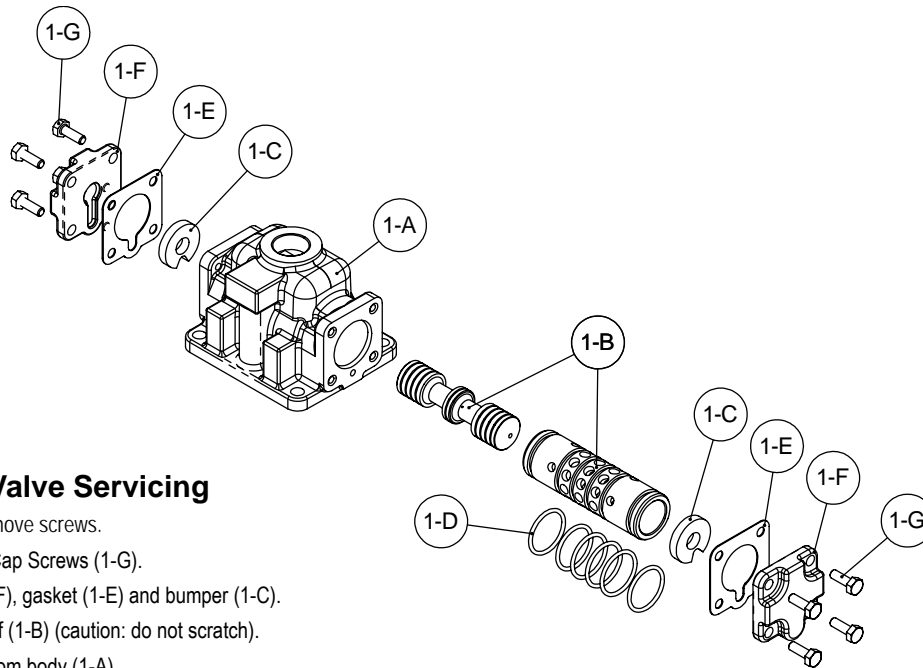
3: EXP VIEW

Material Codes - The Last 3 Digits of Part Number

3: EXP VIEW

- 000.....Assembly, sub-assembly;
and some purchased items
- 010.....Cast Iron
- 015.....Ductile Iron
- 020.....Ferritic Malleable Iron
- 080.....Carbon Steel, AISI B-1112
- 110.....Alloy Type 316 Stainless Steel
- 111.....Alloy Type 316 Stainless Steel
(Electro Polished)
- 112.....Alloy C
- 113.....Alloy Type 316 Stainless Steel
(Hand Polished)
- 114.....303 Stainless Steel
- 115.....302/304 Stainless Steel
- 117.....440-C Stainless Steel (Martensitic)
- 120.....416 Stainless Steel
(Wrought Martensitic)
- 148.....Hardcoat Anodized Aluminum
- 150.....6061-T6 Aluminum
- 152.....2024-T4 Aluminum (2023-T351)
- 155.....356-T6 Aluminum
- 156.....356-T6 Aluminum
- 157.....Die Cast Aluminum Alloy #380
- 158.....Aluminum Alloy SR-319
- 162.....Brass, Yellow, Screw Machine Stock
- 165.....Cast Bronze, 85-5-5-5
- 166.....Bronze, SAE 660
- 170.....Bronze, Bearing Type,
Oil Impregnated
- 180.....Copper Alloy
- 305.....Carbon Steel, Black Epoxy Coated
- 306.....Carbon Steel, Black PTFE Coated
- 307.....Aluminum, Black Epoxy Coated
- 308.....Stainless Steel, Black PTFE Coated
- 309.....Aluminum, Black PTFE Coated
- 313.....Aluminum, White Epoxy Coated
- 330.....Zinc Plated Steel
- 332.....Aluminum, Electroless Nickel Plated
- 333.....Carbon Steel, Electroless
Nickel Plated
- 335.....Galvanized Steel
- 337.....Silver Plated Steel
- 351.....Food Grade Santoprene®
- 353.....Geolast; Color: Black
- 354.....Injection Molded #203-40
Santoprene® Duro 40D +/-5;
Color: RED
- 356.....Hytrel®
- 357.....Injection Molded Polyurethane
- 358.....Urethane Rubber
(Some Applications)
(Compression Mold)
- 359.....Urethane Rubber
- 360.....Nitrile Rubber Color coded: RED
- 363.....FKM (Fluorocarbon)
Color coded: YELLOW
- 364.....EPDM Rubber
Color coded: BLUE
- 365.....Neoprene Rubber
Color coded: GREEN
- 366.....Food Grade Nitrile
- 368.....Food Grade EPDM
- 371.....Philtane (Tuftane)
- 374.....Carboxylated Nitrile
- 375.....Fluorinated Nitrile
- 378.....High Density Polypropylene
- 379.....Conductive Nitrile
- 408.....Cork and Neoprene
- 425.....Compressed Fibre
- 426.....Blue Gard
- 440.....Vegetable Fibre
- 500.....Delrin® 500
- 502.....Conductive Acetal, ESD-800
- 503.....Conductive Acetal, Glass-Filled
- 506.....Delrin® 150
- 520.....Injection Molded PVDF
Natural color
- 540.....Nylon
- 542.....Nylon
- 544.....Nylon Injection Molded
- 550.....Polyethylene
- 551.....Glass Filled Polypropylene
- 552.....Unfilled Polypropylene
- 555.....Polyvinyl Chloride
- 556.....Black Vinyl
- 558.....Conductive HDPE
- 570.....Rulon II®
- 580.....Ryton®
- 600.....PTFE (virgin material)
Tetrafluorocarbon (TFE)
- 603.....Blue Gylon®
- 604.....PTFE
- 606.....PTFE
- 607.....Envelon
- 608.....Conductive PTFE
- 610.....PTFE Encapsulated Silicon
- 611.....PTFE Encapsulated FKM
- 632.....Neoprene/Hytrel®
- 633.....FKM/PTFE
- 634.....EPDM/PTFE
- 635.....Neoprene/PTFE
- 637.....PTFE, FKM/PTFE
- 638.....PTFE, Hytrel®/PTFE
- 639.....Nitrile/TFE
- 643.....Santoprene®/EPDM
- 644.....Santoprene®/PTFE
- 656.....Santoprene® Diaphragm and
Check Balls/EPDM Seats
- 661.....EPDM/Santoprene®
- 666.....FDA Nitrile Diaphragm,
PTFE Overlay, Balls, and Seals
- 668.....PTFE, FDA Santoprene®/PTFE
- Delrin and Hytrel are registered
tradenames of E.I. DuPont.
- Nylatron is a registered tradename
of Polymer Corp.
- Gylon is a registered tradename
of Garlock, Inc.
- Santoprene is a registered tradename
of Exxon Mobil Corp.
- Rulon II is a registered tradename
of Dixon Industries Corp.
- Ryton is a registered tradename
of Phillips Chemical Co.
- Valox is a registered tradename
of General Electric Co.

Air Distribution Valve Assembly



Air Distribution Valve Servicing

See repair parts drawing, remove screws.

- Step 1:** Remove Hex Head Cap Screws (1-G).
- Step 2:** Remove end cap (1-F), gasket (1-E) and bumper (1-C).
- Step 3:** Remove spool part of (1-B) (caution: do not scratch).
- Step 4:** Press sleeve (1-B) from body (1-A).
- Step 5:** Inspect O-Ring (1-D) and replace if necessary.
- Step 6:** Lightly lubricate O-Rings (1-D) on sleeve (1-B).
- Step 7:** Press sleeve (1-B) into body (1-A).
- Step 8:** Reassemble in reverse order, starting with step 3.

Note: Sleeve and spool (1-B) set is match ground to a specified clearance sleeve and spools (1-B) cannot be interchanged.

MAIN AIR VALVE ASSEMBLY PARTS LIST

Item	Part Number	Description	Qty
1	031.212.156	Air Valve Assembly	1
1-A	095.043.156	Body, Air Valve	1
1-B	031.209.000	Sleeve and Spool Set	1
1-C	132.014.358	Bumper	2
1-D	560.020.360	O-Ring	6
1-E	360.010.425	Gasket	2
1-F	165.011.157	End Cap	2
1-G	170.032.330	Hex Head Capscrew	8

FOR CAST IRON CENTERS ONLY

Item	Part Number	Description	Qty
1	031.212.010	Air Valve Assembly	1
1-A	095.043.010	Body, Air Valve	1
1-B	031.209.000	Sleeve and Spool Set	1
1-C	132.014.358	Bumper	2
1-D	560.020.360	O-Ring	6
1-E	360.010.425	Gasket	2
1-F	165.011.010	End Cap	2
1-G	170.032.330	Hex Head Capscrew	8

LEGEND:

○ = Items contained within Air End Kits

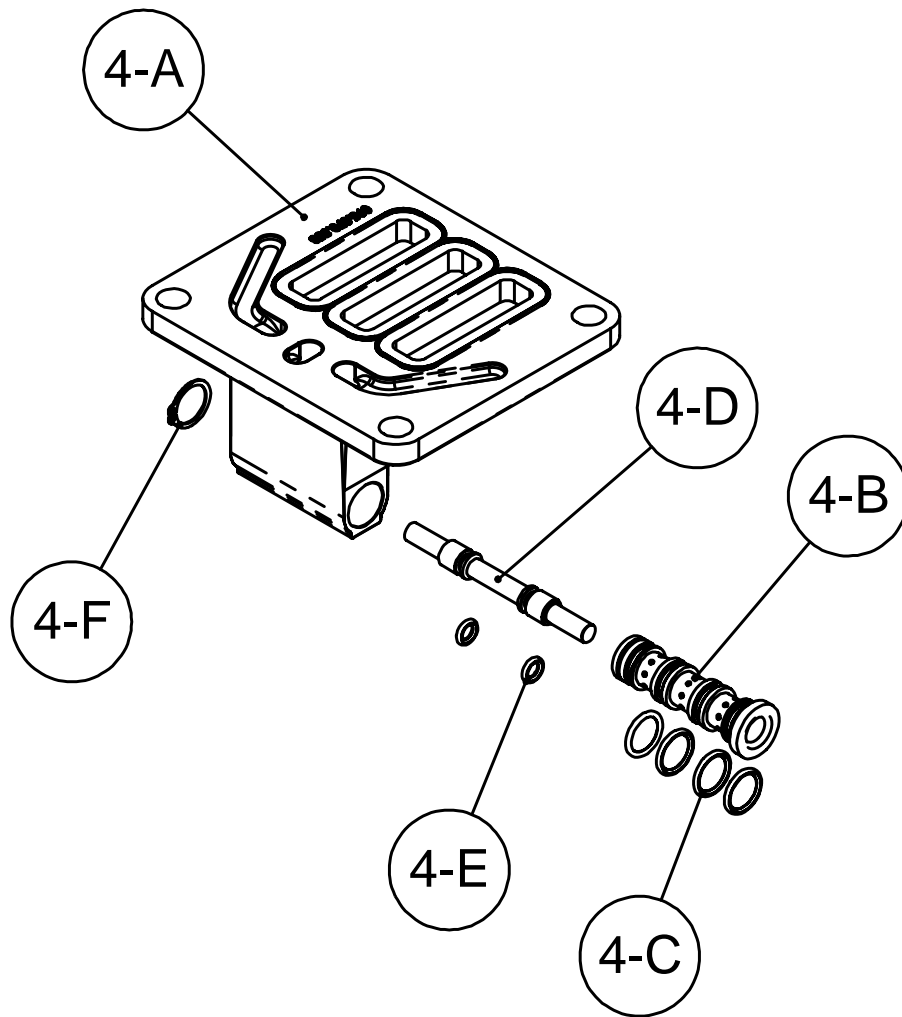
Note: Kits contain components specific to the material codes.

IMPORTANT



Read these instructions completely, before installation and start-up. It is the responsibility of the purchaser to retain this manual for reference. Failure to comply with the recommendations stated in this manual will damage the pump, and void factory warranty.

Pilot Valve Assembly



4: AIR END

Pilot Valve Servicing

With Pilot Valve removed from pump.

Step 1: Remove snap ring (4-F).

Step 2: Remove sleeve (4-B), inspect O-Rings (4-C), replace if required.

Step 3: Remove spool (4-D) from sleeve (4-B), inspect O-Rings (4-E), replace if required.

Step 4: Lightly lubricate O-Rings (4-C) and (4-E).

Reassemble in reverse order.

PILOT VALVE ASSEMBLY PARTS LIST

Item	Part Number	Description	Qty
4	095.073.001	Pilot Valve Assembly	1
4-A	095.070.558	Valve Body	1
4-B	755.025.000	Sleeve (With O-Rings)	1
4-C	560.033.360	O-Ring (Sleeve)	4
4-D	775.026.000	Spool (With O-Rings)	1
4-E	560.023.360	O-Ring (Spool)	2
4-F	675.037.080	Retaining Ring	1

LEGEND:

○ = Items contained within Air End Kits

Note: Kits contain components specific to the material codes.



Diaphragm Servicing

Step 1: With manifolds and outer chambers removed, remove diaphragm assemblies from diaphragm rod. **DO NOT** use a pipe wrench or similar tool to remove assembly from rod. Flaws in the rod surface may damage bearings and seal. Soft jaws in a vise are recommended to prevent diaphragm rod damage.

Step 1.A: NOTE: Not all inner diaphragm plates are threaded. Some models utilize a through hole in the inner diaphragm plate. If required to separate diaphragm assembly, place assembly in a vise, gripping on the exterior cast diameter of the inner plate. Turn the outer plate clockwise to separate the assembly.

Always inspect diaphragms for wear cracks or chemical attack. Inspect inner and outer plates for deformities, rust scale and wear. Inspect intermediate bearings for elongation and wear. Inspect diaphragm rod for wear or marks.

Clean or repair if appropriate. Replace as required.

Step 2: Reassembly: There are two different types of diaphragm plate assemblies utilized throughout the Sandpiper product line: Outer plate with a threaded stud, diaphragm, and a threaded inner plate.

Outer plate with a threaded stud, diaphragm, and an inner plate with through hole. Secure threaded inner plate in a vise. Ensure that the plates are being installed with the outer radius against the diaphragm.

Step 3: Lightly lubricate, with a compatible material, the inner faces of both outer and inner diaphragm plates when using on non Overlay diaphragms (For EPDM water is recommended). No lubrication is required.

Step 4: Push the threaded outer diaphragm plate through the center hole of the diaphragm.

Note: Most diaphragms are installed with the natural bulge out towards the fluid side. S05, S07, and S10 non-metallic units are installed with the natural bulge in towards the air side.

Step 5: Thread or place, outer plate stud into the inner plate. For threaded inner plates, use a torque wrench to tighten the assembly together. Torque values are called out on the exploded view.

Repeat procedure for second side assembly. Allow a minimum of 15 minutes to elapse after torquing, then re-torque the assembly to compensate for stress relaxation in the clamped assembly.

Step 6: Thread one assembly onto the diaphragm rod with sealing washer (when used) and bumper.

Step 7: Install diaphragm rod assembly into pump and secure by installing the outer chamber in place and tightening the capscrews.

Step 8: On opposite side of pump, thread the remaining assembly onto the diaphragm rod. Using a torque wrench, tighten the assembly to the diaphragm rod. Align diaphragm through bolt holes, always going forward past the recommended torque. Torque values are called out on the exploded view. **NEVER** reverse to align holes, if alignment cannot be achieved without damage to diaphragm, loosen complete assemblies, rotate diaphragm and reassemble as described above.

Step 9: Complete assembly of entire unit.
One Piece Diaphragm Servicing (Bonded PTFE with integral plate) The One Piece diaphragm has a threaded stud installed in the integral plate at the factory. The inner diaphragm plate has a through hole instead of a threaded hole. Place the inner plate over the diaphragm stud and thread the first diaphragm / inner plate onto the diaphragm rod only until the inner plate contacts the rod. Do not tighten. A small amount of grease may be applied between the inner plate and the diaphragm to facilitate assembly. Insert the diaphragm / rod assembly into the pump and install the outer chamber. Turn the pump over and thread the second diaphragm / inner plate onto the diaphragm rod. Turn the diaphragm until the inner plate contacts the rod and hand tighten the assembly. Continue tightening until the bolt holes align with the inner chamber holes. **DO NOT LEAVE THE ASSEMBLY LOOSE.**

IMPORTANT



Read these instructions completely, before installation and start-up. It is the responsibility of the purchaser to retain this manual for reference. Failure to comply with the recommendations stated in this manual will damage the pump, and void factory warranty.

5 - YEAR Limited Product Warranty

Warren Rupp, Inc. ("Warren Rupp") warrants to the original end-use purchaser that no product sold by Warren Rupp that bears a Warren Rupp brand shall fail under normal use and service due to a defect in material or workmanship within five years from the date of shipment from Warren Rupp's factory. Warren Rupp brands include Warren Rupp®, SANDPIPER®, SANDPIPER Signature Series™, MARATHON®, Porta-Pump®, SludgeMaster™ and Tranquilizer®.

The use of non-OEM replacement parts will void (or negate) agency certifications, including CE, ATEX, CSA, 3A and EC1935 compliance (Food Contact Materials). Warren Rupp, Inc. cannot ensure nor warrant non-OEM parts to meet the stringent requirements of the certifying agencies.

~ See sandpiperpump.com/content/warranty-certifications for complete warranty, including terms and conditions, limitations and exclusions. ~

**WARREN
RUPP, INC.**

Declaration of Conformity

**Manufacturer: Warren Rupp, Inc., 800 N. Main Street
Mansfield, Ohio, 44902 USA**

Certifies that Air-Operated Double Diaphragm Pump Series: HDB, HDF, M Non-Metallic, S Non-Metallic, M Metallic, S Metallic, T Series, G Series, U Series, EH and SH High Pressure, RS Series, W Series, SMA and SPA Submersibles, and Tranquilizer® Surge Suppressors comply with the European Community Directive 2006/42/EC on Machinery, according to Annex VIII. This product has used Harmonized Standard EN809:1998+A1:2009, Pumps and Pump Units for Liquids - Common Safety Requirements, to verify conformance.


Signature of authorized person

October 20, 2005
Date of issue

Authorised Representative:
IDEX Pump Technologies
R79 Shannon Industrial Estate
Shannon, Co. Clare, Ireland

Director of Engineering
Title

Attn: Barry McMahon

February 27, 2017
Date of revision

Revision Level: F



IDEX

7: WARRANTY

WARREN RUPP, INC.

EC / EU Declaration of Conformity

The objective of the declaration described is in conformity with the relevant Union harmonisation legislation: Directive 94/9/EC (until April 19, 2016) and Directive 2014/34/EU (from April 20, 2016).

Manufacturer:

Warren Rupp, Inc.
A Unit of IDEX Corporation
800 North Main Street
P.O. Box 1568
Mansfield, OH 44902 USA

Applicable Standard:

EN13463-1: 2001
EN13463-5: 2003
EN60079-25: 2004

Harmonised Standard:

EN13463-1: 2009
EN13463-5: 2011
EN60079-25:2010

The harmonised standards have been compared to the applicable standards used for certification purposes and no changes in the state of the art technical knowledge apply to the listed equipment.

AODD Pumps and Surge Suppressors

Technical File No.: 203104000-1410/MER

AODD (Air-Operated Double Diaphragm) Pumps

EC Type Examination Certificate No. Pumps: KEMA 09ATEX0071 X

DEKRA Certification B.V. (0344)

Meander 1051
6825 MJ Arnhem
The Netherlands

Hazardous Locations Applied:

I M1 c	II 1 G c T5
II 2 G Ex ia c IIC T5	II 1 D c T100°C
II 2 D Ex c iaD 20 IP67 T100°C	II 2 G c T5
II 2 G Eex m c II T5	II 2 D c T100°C
II 2 D c IP65 T100°C	II 2 G c IIB T5

SANDPIPER®
A WARREN RUPP, INC. BRAND

Tranquilizer®

DATE/APPROVAL/TITLE:
18 March 2016

David Roseberry
David Roseberry, Director of Engineering

IDEX