

# SERVICE & OPERATING MANUAL

## Original Instructions

# G SERIES

1: PUMP SPECS

2: INSTAL & OP

3: EXP VIEW

4: AIR END

5: WET END

6: OPTIONAL

7: WARRANTY

### Certified Quality



ISO 9001 Certified  
ISO 14001 Certified



Certified to CSA Technical Letter No. R-14



Certified to ANSI LC6-2008



Warren Rupp, Inc.  
A Unit of IDEX Corporation  
800 N. Main St.,  
Mansfield, Ohio 44902 USA  
Telephone (419) 524.8388  
Fax (419) 522.7867  
SANDPIPERPUMP.COM



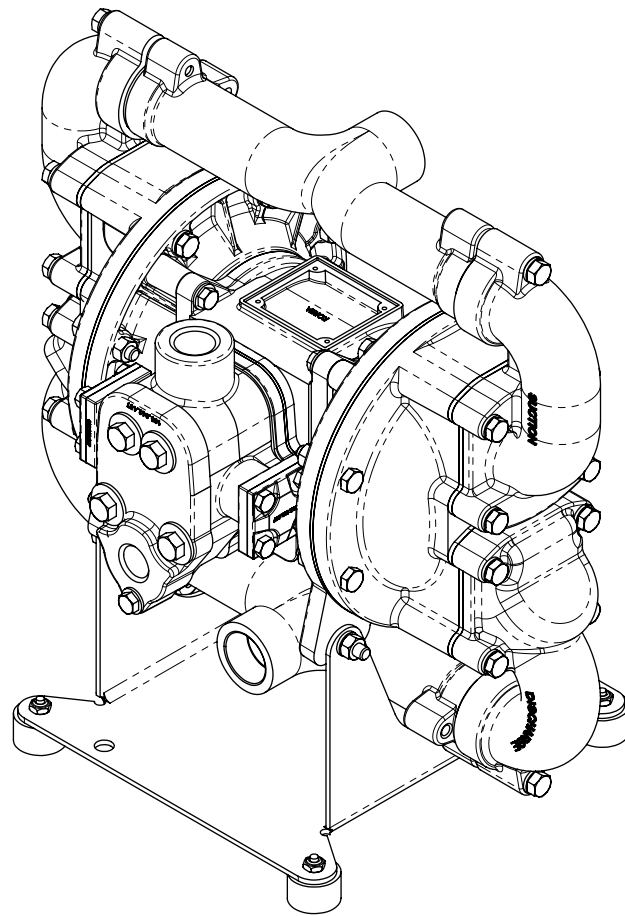
© Copyright 2017 Warren Rupp, Inc.  
All rights reserved

# Model G10F

## Metallic

### Design Level 1

### Natural Gas-Operated 1" Flap Valve



# SANDPIPER®

A WARREN RUPP, INC. BRAND

SANDPIPERPUMP.COM

# Safety Information

## IMPORTANT



Read the safety warnings and instructions in this manual before pump installation and start-up. Failure to comply with the recommendations stated in this manual could damage the pump and void factory warranty.



When the pump is used for materials that tend to settle out or solidify, the pump should be flushed after each use to prevent damage. In freezing temperatures the pump should be completely drained between uses.

## CAUTION



Before pump operation, inspect all fasteners for loosening caused by gasket creep. Retighten loose fasteners to prevent leakage. Follow recommended torques stated in this manual.



Nonmetallic pumps and plastic components are not UV stabilized. Ultraviolet radiation can damage these parts and negatively affect material properties. Do not expose to UV light for extended periods of time.



**WARNING**  
The use of non-OEM replacement parts will void (or negate) agency certifications, including CE, ATEX, CSA, 3A and EC1935 compliance (Food Contact Materials). Warren Rupp, Inc. cannot ensure nor warrant non-OEM parts to meet the stringent requirements of the certifying agencies.

## WARNING



When used for toxic or aggressive fluids, the pump should always be flushed clean prior to disassembly.



Before maintenance or repair, shut off the compressed gas line, bleed the pressure, and disconnect the gas line from the pump. Be certain that approved eye protection and protective clothing are worn at all times. Failure to follow these recommendations may result in serious injury or death.



Airborne particles and loud noise hazards. Wear eye and ear protection.



In the event of diaphragm rupture, pumped material may enter the air end of the pump, and be discharged into the atmosphere. If pumping a product that is hazardous or toxic, the air exhaust must be piped to an appropriate area for safe containment.



Take action to prevent static sparking. Fire or explosion can result, especially when handling flammable liquids. The pump, piping, valves, containers and other miscellaneous equipment must be properly grounded.



This pump is pressurized internally with gas pressure during operation. Make certain that all fasteners are in good condition and are reinstalled properly during reassembly.



Use safe practices when lifting

# Grounding ATEX Pumps



ATEX compliant pumps are suitable for use in explosive atmospheres when the equipment is properly grounded in accordance with local electrical codes. Pumps equipped with electrically conductive diaphragms are suitable for the transfer of conductive or non-conductive fluids of any explosion group. When operating pumps equipped with non-conductive diaphragms that exceed the maximum permissible projected area, as defined in EN 13463-1: 2009 section 6.7.5 table 9, the following protection methods must be applied:

- Equipment is always used to transfer electrically conductive fluids or
- Explosive environment is prevented from entering the internal portions of the pump, i.e. dry running

For further guidance on ATEX applications, please consult the factory.

# Table of Contents

## **SECTION 1: PUMP SPECIFICATIONS.....1**

- Explanation of Nomenclature
- Performance
- Materials
- Dimensional Drawings

## **SECTION 2: INSTALLATION & OPERATION.....4**

- Principle of Pump Operation
- Recommended Installation Guide
- Troubleshooting Guide

## **SECTION 3: EXPLODED VIEW .....7**

- Composite Repair Parts Drawing
- Composite Repair Parts List
- Material Codes

## **SECTION 4: GAS END .....10**

- Gas Distribution Valve Assembly
- Pilot Valve Assembly
- Intermediate Assembly

## **SECTION 5: WET END .....12**

- Diaphragm Drawing
- Diaphragm Servicing

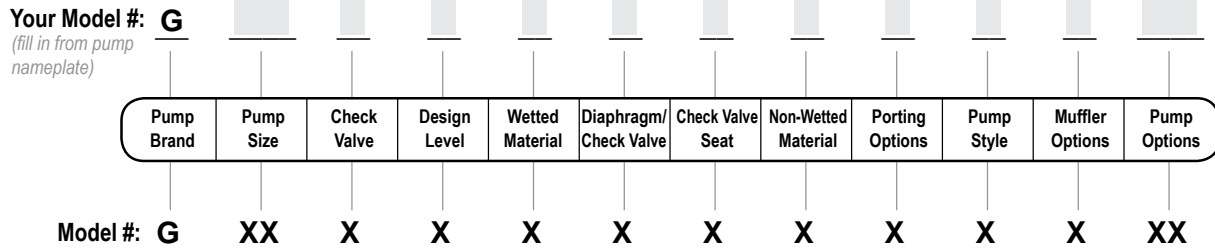
## **SECTION 7: WARRANTY & CERTIFICATES ....14**

- Warranty
- EC Declaration of Conformity - Machinery
- EC Declaration of Conformity - ATEX



# Explanation of Pump Nomenclature

1: PUMP SPECS



**Pump Brand**

G Gas Operated

**Pump Size**

10 1"

**Check Valve Type**

F Flap

**Design Level**

1 Design Level

**Wetted Material**

S Painted Stainless Steel  
A Painted Aluminum

**Diaphragm/Check Valve Materials**

B Nitrile/Nitrile  
V FKM/FKM

**Check Valve Seat**

S Stainless Steel

**Non-Wetted Material Options**

A Painted Aluminum with Nitrile Elastomer Parts  
V Painted Aluminum with FKM Elastomer Parts

**Porting Options**

N NPT Threads  
B BSP Tapered

**Pump Style**

S Standard

**Muffler Options**

X No Muffler Permitted \*

Your Serial #: *(fill in from pump nameplate)* \_\_\_\_\_

## ATEX Detail



II 2G c T5  
II 2D c T100°C



# Performance

## G10F

### SUCTION/DISCHARGE PORT SIZE

- 1" (25.4mm) NPT
- 1" (25.4mm) BSP Tapered

### CAPACITY

- 0 to 70 gallons per minute  
(0 to 265 liters per minute)

### GAS DISTRIBUTION VALVE

- No-lube, no-stall design

### SOLIDS-HANDLING

- Up to 1 in. (25mm)

### HEADS UP TO

- 100 psi or 231 ft. of water  
(7 bar or 70 meters)

### MAXIMUM OPERATING PRESSURE

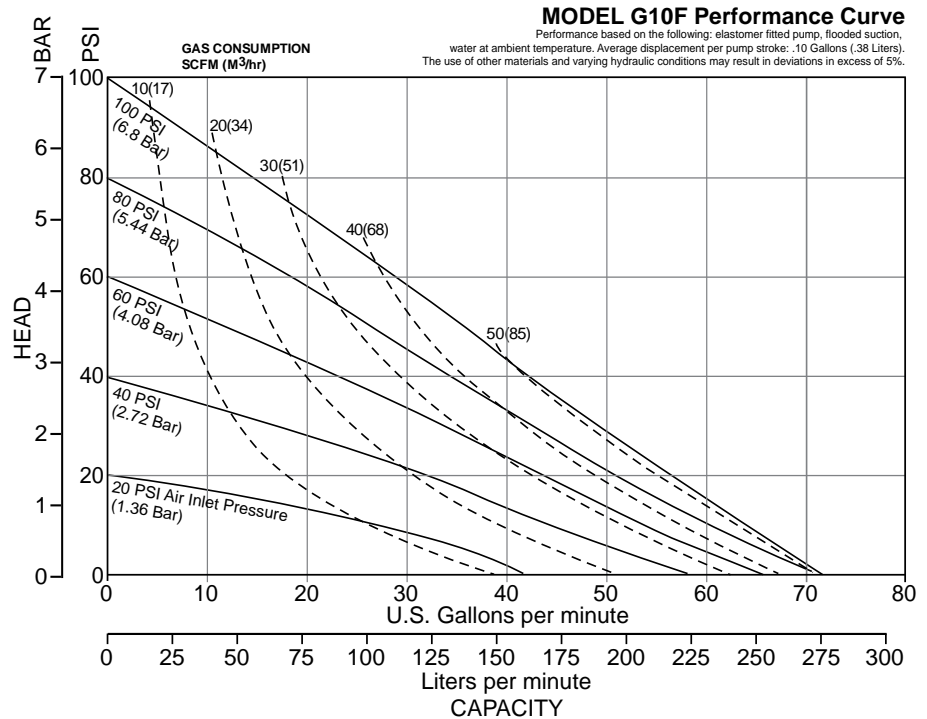
- 100 psi (7 bar)

### DISPLACEMENT/STROKE

- .10 Gallon / .38 liter

### SHIPPING WEIGHT

- Aluminum 48 lbs. (21kg)
- Stainless Steel 79 lbs. (36kg)



1: PUMP SPECS

## Materials

Material Profile:	Operating Temperatures:	
	Max.	Min.
<p><b>CAUTION!</b> Operating temperature limitations are as follows:</p> <p><b>FKM:</b> (Fluorocarbon) Shows good resistance to a wide range of oils and solvents; especially all aliphatic, aromatic and halogenated hydrocarbons, acids, animal and vegetable oils. Hot water or hot aqueous solutions (over 70°F(21°C)) will attack FKM.</p>	350°F 177°C	-40°F -40°C
<p><b>Nitrile:</b> General purpose, oil-resistant. Shows good solvent, oil, water and hydraulic fluid resistance. Should not be used with highly polar solvents like acetone and MEK, ozone, chlorinated hydrocarbons and nitro hydrocarbons.</p>	190°F 88°C	-10°F -23°C
<p><i>Maximum and Minimum Temperatures are the limits for which these materials can be operated. Temperatures coupled with pressure affect the longevity of diaphragm pump components. Maximum life should not be expected at the extreme limits of the temperature ranges.</i></p>		
Metals:		
<p><b>Stainless Steel:</b> Equal to or exceeding ASTM specification A743 CF-8M for corrosion resistant iron chromium, iron chromium nickel and nickel based alloy castings for general applications. Commonly referred to as 316 Stainless Steel in the pump industry.</p>		

For specific applications, always consult the Chemical Resistance Chart.

**Ambient temperature range:** -20°C to +40°C

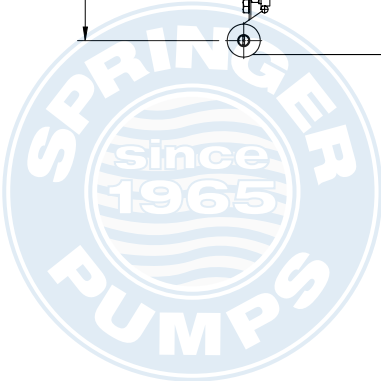
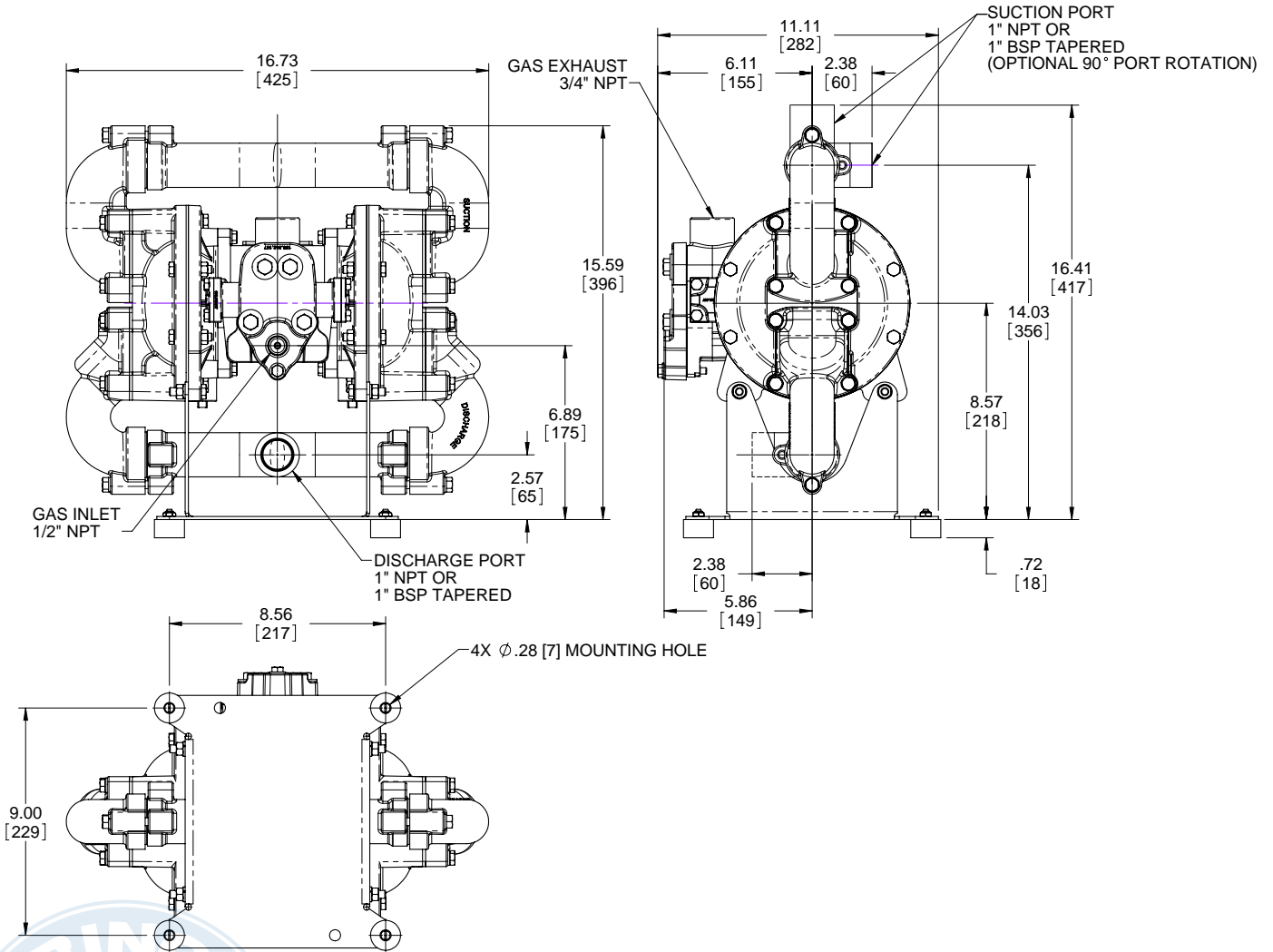
**Process temperature range:** -20°C to +100°C for models rated as category 2 equipment

In addition, the ambient temperature range and the process temperature range do not exceed the operating temperature range of the applied non-metallic parts as listed in the manuals of the pumps.

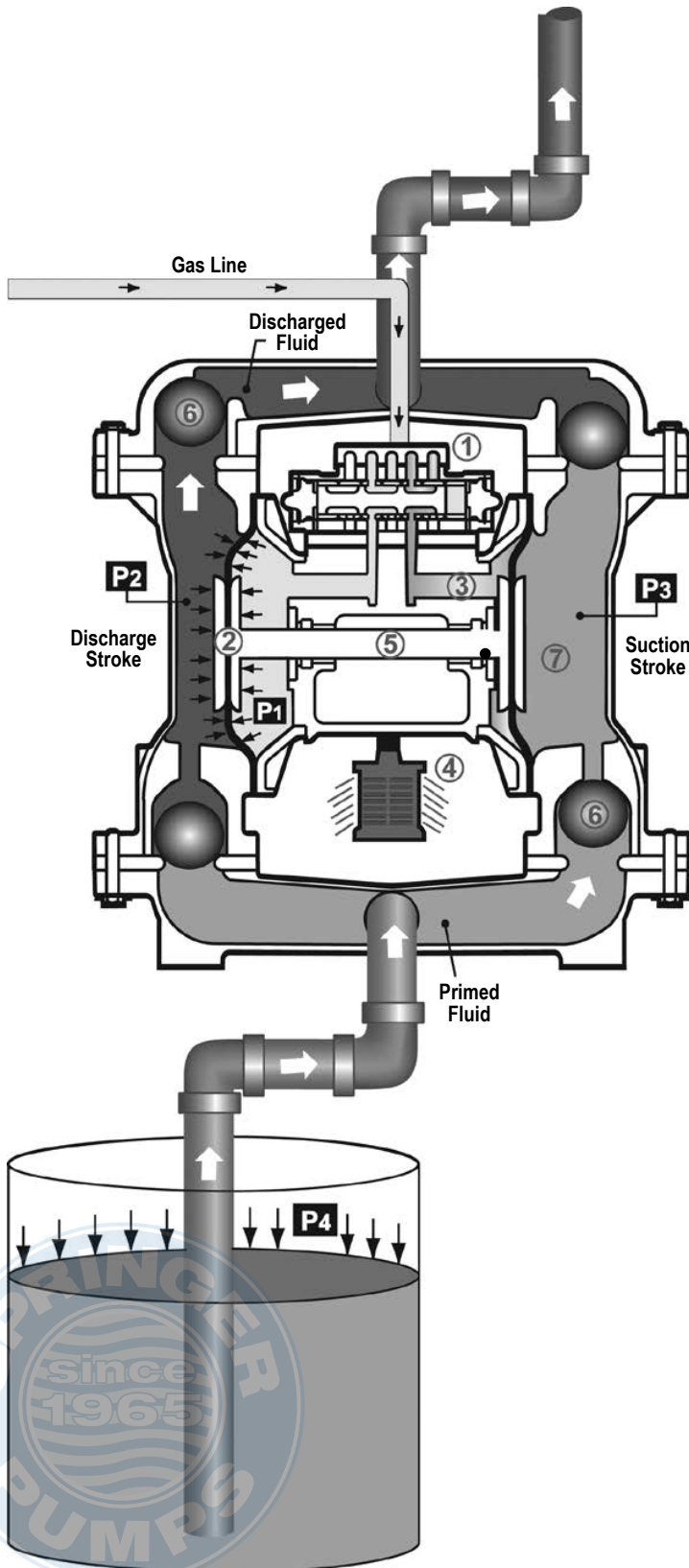
# Dimensional Drawings

## G10F Natural Gas Operated 1" Flap Valve

Dimensions in inches (metric dimensions in brackets). Dimensional Tolerance .125" (3mm).



# Principle of Pump Operation



Gas-Operated Double Diaphragm pumps are powered by compressed gas, nitrogen or natural gas.

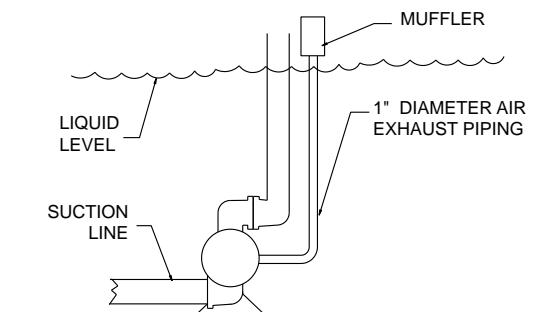
The main directional (gas) control valve ① distributes compressed gas to an gas chamber, exerting uniform pressure over the inner surface of the diaphragm ②. At the same time, the exhausting gas ③ from behind the opposite diaphragm is directed through the gas valve assembly(s) to an exhaust port ④.

As inner chamber pressure (P1) exceeds liquid chamber pressure (P2), the rod ⑤ connected diaphragms shift together creating discharge on one side and suction on the opposite side. The discharged and primed liquid's directions are controlled by the check valves (ball or flap)⑥ orientation.

The pump primes as a result of the suction stroke. The suction stroke lowers the chamber pressure (P3) increasing the chamber volume. This results in a pressure differential necessary for atmospheric pressure (P4) to push the fluid through the suction piping and across the suction side check valve and into the outer fluid chamber ⑦.

Suction (side) stroking also initiates the reciprocating (shifting, stroking or cycling) action of the pump. The suction diaphragm's movement is mechanically pulled through its stroke. The diaphragm's inner plate makes contact with an actuator plunger aligned to shift the pilot signaling valve. Once actuated, the pilot valve sends a pressure signal to the opposite end of the main directional gas valve, redirecting the compressed gas to the opposite inner chamber.

## SUBMERGED ILLUSTRATION



Pump can be submerged if the pump materials of construction are compatible with the liquid being pumped. The gas exhaust must be piped above the liquid level. When the pumped product source is at a higher level than the pump (flooded suction condition), pipe the exhaust higher than the product source to prevent siphoning spills.



# Recommended Installation Guide

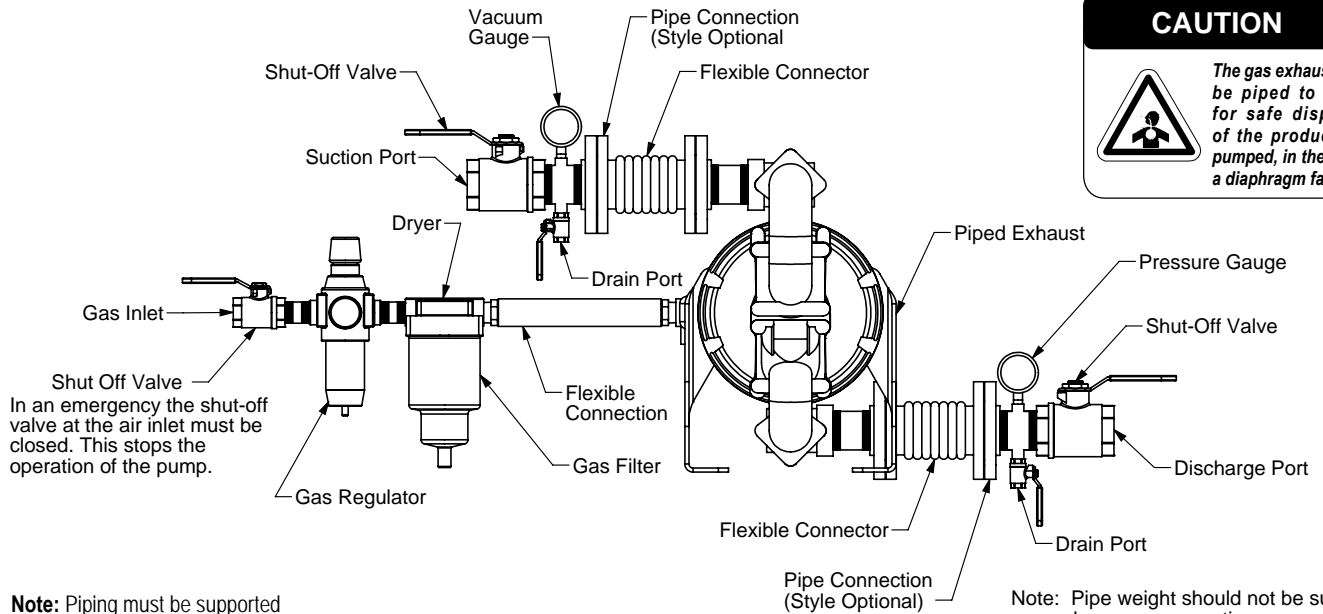
- ① **020.064.000 Filter**  
**VENTING WARNING:** This filter is equipped with a stainless steel manual drain. The port is 1/8" NPT. When draining moisture from the filter, first shut off the natural gas supply.
- ② **020.058.000 REGULATOR WITH GAGE**  
**PRESSURE WARNING:** This regulator is to be installed at point of use with the pump. The maximum gas supply is 400psi. Full line pressure needs to be regulated below 400psi prior to the regulator installation position.

**VENTING WARNING:** This regulator is equipped with a 1/4" NPT vent port. In the event of a diaphragm rupture, natural gas can be exhausted into the surrounding environment. Connect a conductive hose or pipe to the vent port to send the escaping natural gas to a safe area for gas reclamation. Make sure to ground the regulator, hose, and/or pipe.

## Available Accessories:

### 1. Filter/Regulator

In the event of a diaphragm rupture, pumped fluid can enter the center section of the pump and exit through the gas exhaust port. When pumping hazardous fluids, it is recommended to pump the exhaust air to a safe location.



**Note:** Piping must be supported after the flexible connection

**Note:** Pipe weight should not be supported by pump connections.

### Installation And Start-Up

Locate the pump as close to the product being pumped as possible. Keep the suction line length and number of fittings to a minimum. Do not reduce the suction line diameter.

### Gas Supply

Connect the pump gas inlet to a gas supply with sufficient capacity and pressure to achieve desired performance. A pressure regulating valve should be installed to insure gas supply pressure does not exceed recommended limits.

### Gas Valve Lubrication

The gas distribution system is designed to operate WITHOUT lubrication. This is the standard mode of operation. If lubrication is desired, install a gas line lubricator set to deliver one drop of SAE 10 non-detergent oil for every 20 SCFM (9.4 liters/sec.) of gas the pump consumes. Consult the Performance Curve to determine gas consumption.

### Gas Line Moisture

Water in the compressed gas supply may cause icing or freezing of the exhaust gas, causing the pump to cycle erratically or stop operating. Water in the gas supply can be reduced by using a point-of-use gas dryer.

### Gas Inlet And Priming

To start the pump, slightly open the gas shut-off valve. After the pump primes, the gas valve can be opened to increase gas flow as desired. If opening the valve increases cycling rate, but does not increase the rate of flow, cavitation has occurred. The valve should be closed slightly to obtain the most efficient gas flow to pump flow ratio.



# Troubleshooting Guide

Symptom:	Potential Cause(s):	Recommendation(s):
<b>Pump Cycles Once</b>	Deadhead (system pressure meets or exceeds gas supply pressure).	Increase the inlet gas pressure to the pump. Pump is designed for 1:1 pressure ratio at zero flow. (Does not apply to high pressure 2:1 units).
	Gas valve or intermediate gaskets installed incorrectly.	Install gaskets with holes properly aligned.
	Bent or missing actuator plunger.	Remove pilot valve and inspect actuator plungers.
<b>Pump Will Not Operate / Cycle</b>	Pump is over lubricated.	Set lubricator on lowest possible setting or remove. Units are designed for lube free operation.
	Lack of gas (line size, PSI, CFM).	Check the gas line size and length, compressor capacity (HP vs. cfm required).
	Check gas distribution system.	Disassemble and inspect main gas distribution valve, pilot valve and pilot valve actuators.
	Discharge line is blocked or clogged manifolds.	Check for inadvertently closed discharge line valves. Clean discharge manifolds/piping.
	Deadhead (system pressure meets or exceeds gas supply pressure).	Increase the inlet gas pressure to the pump. Pump is designed for 1:1 pressure ratio at zero flow. (Does not apply to high pressure 2:1 units).
	Blocked gas exhaust muffler.	Remove muffler screen, clean or de-ice, and re-install.
	Pumped fluid in gas exhaust muffler.	Disassemble pump chambers. Inspect for diaphragm rupture or loose diaphragm plate assembly.
	Pump chamber is blocked.	Disassemble and inspect wetted chambers. Remove or flush any obstructions.
<b>Pump Cycles and Will Not Prime or No Flow</b>	Cavitation on suction side.	Check suction condition (move pump closer to product).
	Check valve obstructed. Valve ball(s) not seating properly or sticking.	Disassemble the wet end of the pump and manually dislodge obstruction in the check valve pocket. Clean out around valve ball cage and valve seat area. Replace valve ball or valve seat if damaged. Use heavier valve ball material.
	Valve ball(s) missing (pushed into chamber or manifold).	Worn valve ball or valve seat. Worn fingers in valve ball cage (replace part). Check Chemical Resistance Guide for compatibility.
	Valve ball(s) / seat(s) damaged or attacked by product.	Check Chemical Resistance Guide for compatibility.
	Check valve and/or seat is worn or needs adjusting.	Inspect check valves and seats for wear and proper setting. Replace if necessary.
	Suction line is blocked.	Remove or flush obstruction. Check and clear all suction screens or strainers.
	Excessive suction lift.	For lifts exceeding 20' of liquid, filling the chambers with liquid will prime the pump in most cases.
	Suction side gas leakage or gas in product.	Visually inspect all suction-side gaskets and pipe connections.
	Pumped fluid in gas exhaust muffler.	Disassemble pump chambers. Inspect for diaphragm rupture or loose diaphragm plate assembly.
	<b>Pump Cycles Running Sluggish / Stalling, Flow Unsatisfactory</b>	Over lubrication.
Icing.		Remove muffler screen, de-ice, and re-install. Install a point of use gas drier.
Clogged manifolds.		Clean manifolds to allow proper gas flow.
Deadhead (system pressure meets or exceeds gas supply pressure).		Increase the inlet gas pressure to the pump. Pump is designed for 1:1 pressure ratio at zero flow. (Does not apply to high pressure 2:1 units).
Cavitation on suction side.		Check suction (move pump closer to product).
Lack of gas (line size, PSI, CFM).		Check the gas line size, length, compressor capacity.
Excessive suction lift.		For lifts exceeding 20' of liquid, filling the chambers with liquid will prime the pump in most cases.
Gas supply pressure or volume exceeds system hd.		Decrease inlet gas (press. and vol.) to the pump. Pump is cavitating the fluid by fast cycling.
Undersized suction line.		Meet or exceed pump connections.
Restrictive or undersized gas line.		Install a larger gas line and connection.
Suction side gas leakage or gas in product.		Visually inspect all suction-side gaskets and pipe connections.
Suction line is blocked.		Remove or flush obstruction. Check and clear all suction screens or strainers.
Pumped fluid in gas exhaust muffler.		Disassemble pump chambers. Inspect for diaphragm rupture or loose diaphragm plate assembly.
Check valve obstructed.		Disassemble the wet end of the pump and manually dislodge obstruction in the check valve pocket.
Check valve and/or seat is worn or needs adjusting.		Inspect check valves and seats for wear and proper setting. Replace if necessary.
<b>Product Leaking Through Exhaust</b>		Entrained gas or vapor lock in chamber(s).
	Diaphragm failure, or diaphragm plates loose.	Replace diaphragms, check for damage and ensure diaphragm plates are tight.
<b>Premature Diaphragm Failure</b>	Diaphragm stretched around center hole or bolt holes.	Check for excessive inlet pressure or gas pressure. Consult Chemical Resistance Chart for compatibility with products, cleaners, temperature limitations and lubrication.
	Cavitation.	Enlarge pipe diameter on suction side of pump.
	Excessive flooded suction pressure.	Move pump closer to product. Raise pump/place pump on top of tank to reduce inlet pressure. Install Back pressure device (Tech bulletin 41r). Add accumulation tank or pulsation dampener.
	Misapplication (chemical/physical incompatibility).	Consult Chemical Resistance Chart for compatibility with products, cleaners, temperature limitations and lubrication.
<b>Unbalanced Cycling</b>	Incorrect diaphragm plates or plates on backwards, installed incorrectly or worn.	Check Operating Manual to check for correct part and installation. Ensure outer plates have not been worn to a sharp edge.
	Excessive suction lift.	For lifts exceeding 20' of liquid, filling the chambers with liquid will prime the pump in most cases.
	Undersized suction line.	Meet or exceed pump connections.
	Pumped fluid in gas exhaust muffler.	Disassemble pump chambers. Inspect for diaphragm rupture or loose diaphragm plate assembly.
	Suction side gas leakage or gas in product.	Visually inspect all suction-side gaskets and pipe connections.
	Check valve obstructed.	Disassemble the wet end of the pump and manually dislodge obstruction in the check valve pocket.
	Check valve and/or seat is worn or needs adjusting.	Inspect check valves and seats for wear and proper setting. Replace if necessary.
<b>Product Leaking Through Exhaust</b>	Entrained gas or vapor lock in chamber(s).	Purge chambers through tapped chamber vent plugs.

2: INSTAL & OP

For additional troubleshooting tips contact After Sales Support at [service.warrenrupp@idexcorp.com](mailto:service.warrenrupp@idexcorp.com) or 419-524-8388



SANDPIPERPUMP.COM

g10fmdl1sm-rev0217

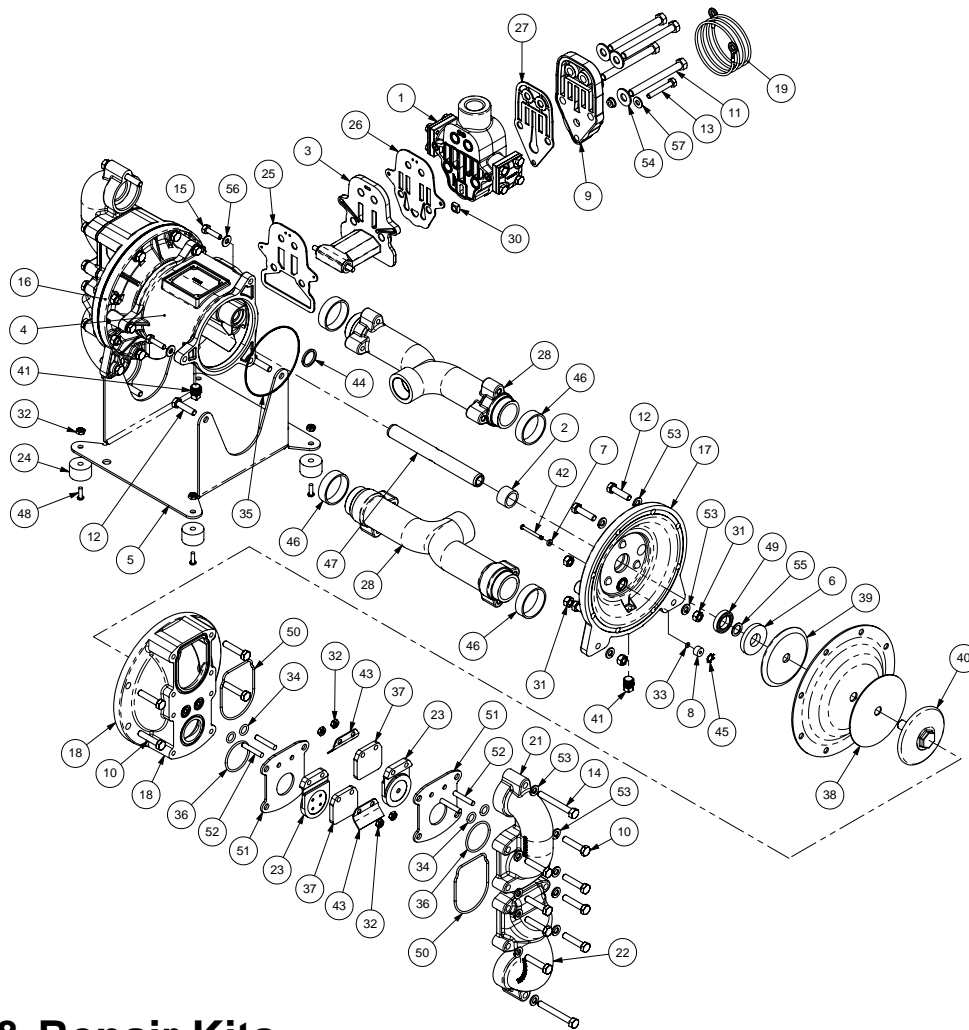
Model G10F • 6

Tel: 866-777-6060  
Fax: 866-777-6383

Springer Pumps, LLC

Website: [www.springerpumps.com](http://www.springerpumps.com)  
Int'l: +001 267 404 2910

# Composite Repair Parts Drawing



3: EXP VIEW

## Service & Repair Kits

- 476.361.363 Gas End Kit with FKM elastomer parts**  
Sleeve and Spool Set, Pilot Valve Assembly, Bumpers, Bushings, Gaskets, O-rings, Seals, Plungers, and Retaining Rings
- 476.341.363 Gas End Wear Kit with FKM elastomer parts**  
Bumpers, Bushings, Gaskets, O-rings, Seals, Plungers, and Retaining Rings
- 476.361.000 Gas End Kit**  
Sleeve and Spool Set, Pilot Valve Body Assembly, Bumpers, Bushings, Gaskets, O-rings, Seals, Plungers, and Retaining Rings
- 476.341.000 Gas End Wear Kit**  
(With new die cast aluminum air valve body)  
Bumpers, Bushings, Gaskets, O-rings, Seals, Plungers, and Retaining Rings
- 476.286.360 Wet End Kit**  
Nitrile Diaphragms, Nitrile Flap Valves, Nitrile Hinge and Wear Pads, Nitrile O-rings and Seals
- 476.286.363 Wet End Kit**  
FKM Diaphragms, FKM Flap Valves, FKM Hinge and Wear Pads, FKM O-rings and Seals

# Composite Repair Parts List

Item	Part Number	Description	Qty	Item	Part Number	Description	Qty
①	031.203.000	Assembly, Air Valve	1	30	542.001.330	Nut, Square	1
	031.203.363	Assembly, Air Valve with FKM O-rings	1	31	545.004.330	Nut, Hex, 5/16-18	14
2	070.012.571	Bearing, Sleeve	2	32	547.002.110	Nut, Stop	12
③	095.074.558	Pilot Valve Assembly	1	③③	560.001.360	O-Ring	2
	095.074.363	Pilot Valve Assembly	1		560.001.363	O-Ring	2
4	114.007.157	Bracket, Intermediate	1	③④	560.038.360	O-Ring	8
5	115.071.330	Bracket, Mounting	1		560.038.363	O-Ring	8
⑥	132.019.360	Bumper	2	③⑤	560.040.360	O-Ring	2
	132.019.363	Bumper	2		560.040.363	O-Ring	2
⑦	132.022.360	Bumper, Actuator	2	③⑥	560.198.360	O-Ring	4
	132.022.363	Bumper, Actuator	2		560.198.363	O-Ring	4
8	135.034.506	Bushing, Plunger	2	③⑦	570.018.360	Pad, Hinge	4
9	165.134.157	Cap, Air Inlet, Ass'y	1		570.018.363	Pad, Hinge	4
10	170.029.330	Capscrew, Hex HD 5/16-18 X 1.5	24	③⑧	570.019.360	Pad, Wear	2
11	170.033.330	Capscrew, Hex HD 3/8-16 X 3.25	4		570.019.363	Pad, Wear	2
	170.083.330	Capscrew, Hex HD 3/8-16 X 3.75	4	39	612.022.330	Plate, Diaphragm, Inner	2
12	170.045.330	Capscrew, Hex HD 5/16-18 X 1.25	12	40	612.108.157	Assembly, Diaphragm Plate	2
13	170.063.330	Capscrew, Hex HD 1/4-20 X 1.75	1		612.101.110	Assembly, Diaphragm Plate	2
14	170.080.330	Capscrew, Hex HD 5/16-18 X 2.5	4	41	618.003.330	Plug, Pipe, 1/4	3
15	170.043.330	Capscrew, Hex HD (AL Center) 1/4-20 X 1	6	④②	620.007.114	Plunger, Actuator	2
				43	670.053.110	Retainer	4
16	196.042.157 G	Chamber, Inner (AL Center)	1	④④	675.040.360	Ring, Sealing	2
17	196.043.157 G	Chamber, Inner (AL Center)	1		675.040.363	Ring, Sealing	2
18	196.199.156	Chamber, Outer	2	④⑤	675.042.115	Ring, Retaining	2
	196.199.110	Chamber, Outer	2	④⑥	675.065.360	Ring, Sealing	4
19	920.025.000	Grounding Cable	1		675.065.363	Ring, Sealing	4
②①	286.008.360	Diaphragm	2	47	685.039.120	Rod, Diaphragm	1
	286.008.363	Diaphragm	2	48	706.013.330	Screw, Machine	4
21	312.119.156	Elbow, Suction	2	④⑨	720.010.375	Seal, U-Cup	2
	312.119.110	Elbow, Suction	2		720.010.363	Seal, U-Cup	2
22	312.120.156	Elbow, Discharge	2	⑤①	720.066.360	Seal, Seat	4
	312.120.110	Elbow, Discharge	2		720.066.363	Seal, Seat	4
②③	338.014.360	Flap Valve	4	51	722.101.110	Seat, Flap	4
	338.014.363	Flap Valve	4	52	807.018.110	Stud, 1/4-20	8
24	350.002.360	Foot, Rubber	4	53	900.004.330	Washer, Lock, 5/16	32
②⑤	360.056.379	Gasket	1	54	901.005.330	Washer, Flat, 3/8	4
②⑥	360.057.360	Gasket	1	55	901.012.180	Washer, Sealing	2
②⑦	360.058.360	Gasket	1	56	901.005.330	Washer, Flat 3/8	6
28	518.205.156	Manifold	2		901.035.330	Washer, Flat 1/4	6
	518.205.156 E	Manifold	2	57	901.035.330	Washer, Flat 1/4	1
	518.205.110	Manifold	2				
	518.205.110 E	Manifold	2				

## LEGEND:

○ = Items contained within Air End Kits

□ = Items contained within Wet End Kits

**Note:** Kits contain components specific to the material codes.



# Material Codes - The Last 3 Digits of Part Number

3: EXP VIEW

000.....Assembly, sub-assembly;  
and some purchased items  
010.....Cast Iron  
015.....Ductile Iron  
020.....Ferritic Malleable Iron  
080.....Carbon Steel, AISI B-1112  
110.....Alloy Type 316 Stainless Steel  
111.....Alloy Type 316 Stainless Steel  
(Electro Polished)  
112.....Alloy C  
113.....Alloy Type 316 Stainless Steel  
(Hand Polished)  
114.....303 Stainless Steel  
115.....302/304 Stainless Steel  
117.....440-C Stainless Steel (Martensitic)  
120.....416 Stainless Steel  
(Wrought Martensitic)  
148.....Hardcoat Anodized Aluminum  
150.....6061-T6 Aluminum  
152.....2024-T4 Aluminum (2023-T351)  
155.....356-T6 Aluminum  
156.....356-T6 Aluminum  
157.....Die Cast Aluminum Alloy #380  
158.....Aluminum Alloy SR-319  
162.....Brass, Yellow, Screw Machine Stock  
165.....Cast Bronze, 85-5-5-5  
166.....Bronze, SAE 660  
170.....Bronze, Bearing Type,  
Oil Impregnated  
180.....Copper Alloy  
305.....Carbon Steel, Black Epoxy Coated  
306.....Carbon Steel, Black PTFE Coated  
307.....Aluminum, Black Epoxy Coated  
308.....Stainless Steel, Black PTFE Coated  
309.....Aluminum, Black PTFE Coated  
313.....Aluminum, White Epoxy Coated  
330.....Zinc Plated Steel  
332.....Aluminum, Electroless Nickel Plated  
333.....Carbon Steel, Electroless  
Nickel Plated  
335.....Galvanized Steel  
337.....Silver Plated Steel  
351.....Food Grade Santoprene®  
353.....Geolast; Color: Black  
354.....Injection Molded #203-40  
Santoprene® Duro 40D +/-5;  
Color: RED  
356.....Hytrel®  
357.....Injection Molded Polyurethane  
358.....Urethane Rubber  
(Some Applications)  
(Compression Mold)  
359.....Urethane Rubber  
360.....Nitrile Rubber Color coded: RED  
363.....FKM (Fluorocarbon)  
Color coded: YELLOW

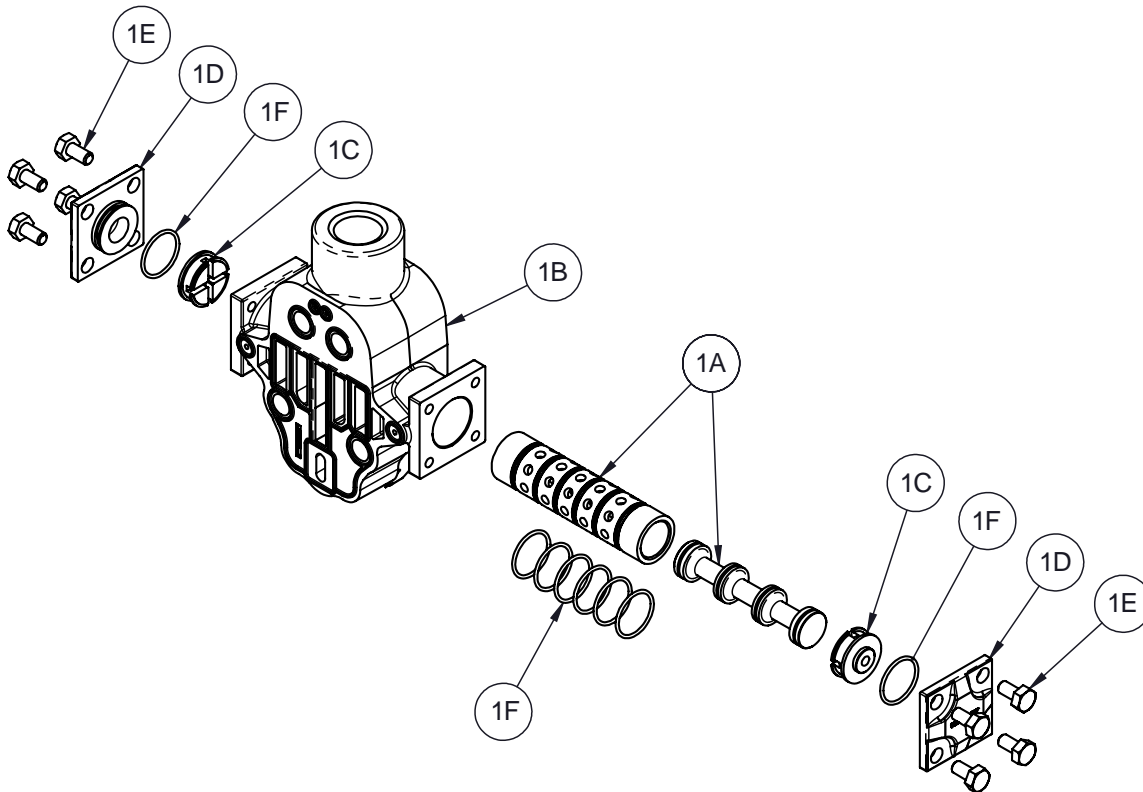
364.....EPDM Rubber  
Color coded: BLUE  
365.....Neoprene Rubber  
Color coded: GREEN  
366.....Food Grade Nitrile  
368.....Food Grade EPDM  
371.....Phlithane (Tuftane)  
374.....Carboxylated Nitrile  
375.....Fluorinated Nitrile  
378.....High Density Polypropylene  
379.....Conductive Nitrile  
408.....Cork and Neoprene  
425.....Compressed Fibre  
426.....Blue Gard  
440.....Vegetable Fibre  
500.....Delrin® 500  
502.....Conductive Acetal, ESD-800  
503.....Conductive Acetal, Glass-Filled  
506.....Delrin® 150  
520.....Injection Molded PVDF  
Natural color  
540.....Nylon  
542.....Nylon  
544.....Nylon Injection Molded  
550.....Polyethylene  
551.....Glass Filled Polypropylene  
552.....Unfilled Polypropylene  
555.....Polyvinyl Chloride  
556.....Black Vinyl  
557.....Conductive Polypropylene  
558.....Conductive HDPE  
570.....Rulon II®  
580.....Ryton®  
600.....PTFE (virgin material)  
Tetrafluorocarbon (TFE)  
603.....Blue Gylon®  
604.....PTFE  
606.....PTFE  
607.....Envelon  
608.....Conductive PTFE  
610.....PTFE Encapsulated Silicon  
611.....PTFE Encapsulated FKM  
632.....Neoprene/Hytrel®  
633.....FKM/PTFE  
634.....EPDM/PTFE  
635.....Neoprene/PTFE  
637.....PTFE, FKM/PTFE  
638.....PTFE, Hytrel®/PTFE  
639.....Nitrile/TFE  
643.....Santoprene®/EPDM  
644.....Santoprene®/PTFE  
656.....Santoprene® Diaphragm and  
Check Balls/EPDM Seats  
661.....EPDM/Santoprene®  
666.....FDA Nitrile Diaphragm,  
PTFE Overlay, Balls, and Seals

668.....PTFE, FDA Santoprene®/PTFE  
• Delrin and Hytrel are registered  
tradenames of E.I. DuPont.  
• Nylatron is a registered tradename  
of Polymer Corp.  
• Gylon is a registered tradename  
of Garlock, Inc.  
• Santoprene is a registered tradename  
of Exxon Mobil Corp.  
• Rulon II is a registered tradename  
of Dixon Industries Corp.  
• Ryton is a registered tradename  
of Phillips Chemical Co.  
• Valox is a registered tradename  
of General Electric Co.

## RECYCLING

Many components of SANDPIPER® GODD pumps are made of recyclable materials. We encourage pump users to recycle worn out parts and pumps whenever possible, after any hazardous pumped fluids are thoroughly flushed.

# Air Distribution Valve Assembly With Aluminum Center



## Air Distribution Valve Servicing

See repair parts drawing, remove screws.

- Step 1:** Remove hex capscrews (1E).
- Step 2:** Remove end cap (1D).
- Step 3:** Remove spool part of (1A) (caution: do not scratch).
- Step 4:** Press sleeve (1A) from body (1B).
- Step 5:** Inspect bumpers (1C) and o-rings (1F).
- Step 6:** Lightly lubricate O-Rings (1F) on sleeve (1A).
- Step 7:** Press sleeve (1A) into body (1B).
- Step 8:** Reassemble in reverse order, starting with step 3.

**Note:** Sleeve and spool (1A) set is match ground to a specified clearance sleeve and spools (1A) cannot be interchanged.

### LEGEND:

- = Items contained within Gas End Kits
- = Items contained within Wet End Kits

**Note:** Kits contain components specific to the material codes.

## Gas Valve Assembly Parts List

Item	Part Number	Description	Qty
①	031.203.000	Assembly, Gas Valve	1
1A	031.039.000	Sleeve & Spool Set	1
1B	095.113.157	Body, Valve	1
1C	132.037.357	Bumper	2
1D	165.129.157	Cap, End	2
1E	170.032.330	1/4-20 X 3/4 Capscrew	8
1F	560.058.360	7/8 ID X 1/16 CS O-Ring	8

## Gas Valve Assembly Parts List with FKM O-rings

Item	Part Number	Description	Qty
①	031.203.363	Assembly, Gas Valve	1
1A	031.039.000	Sleeve & Spool Set	1
1B	095.113.157	Body, Valve	1
1C	132.037.357	Bumper	2
1D	165.129.157	Cap, End	2
1E	170.032.330	Cap Screw, Hex 1/4-20 x .75	8
1F	560.058.363	O-ring 7/8 ID x 1/16 CS	8

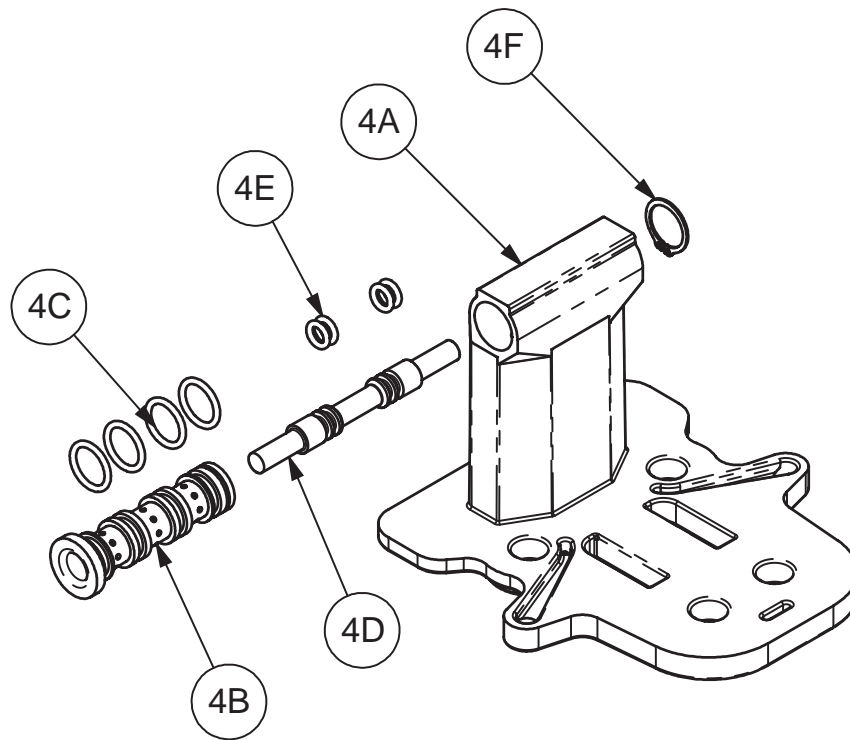
### IMPORTANT



Read these instructions completely, before installation and start-up. It is the responsibility of the purchaser to retain this manual for reference. Failure to comply with the recommendations stated in this manual will damage the pump, and void factory warranty.



# Pilot Valve Assembly



4: GAS END

## Pilot Valve Servicing

With Pilot Valve removed from pump.

**Step 1:** Remove snap ring (4F).

**Step 2:** Remove sleeve (4B), inspect O-Rings (4C), replace if required.

**Step 3:** Remove spool (4D) from sleeve (4B), inspect O-Rings (4E), replace if required.

**Step 4:** Lightly lubricate O-Rings (4C) and (4E).

Reassemble in reverse order.

### LEGEND:

○ = Items contained within Gas End Kits

□ = Items contained within Wet End Kits

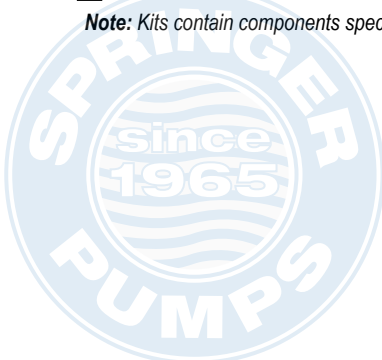
**Note:** Kits contain components specific to the material codes.

## PILOT VALVE ASSEMBLY PARTS LIST WITH NITRILE O-RINGS

Item	Part Number	Description	Qty
④	095.074.558	Pilot Valve Assembly	1
4A	095.071.558	Pilot Valve Body	1
4B	755.025.148	Pilot Valve sleeve	1
4C	560.033.360	O-Ring	4
4D	775.014.115	Pilot Valve Spool	1
4E	560.023.360	O-Ring	4
4F	675.037.080	Retaining Ring	1

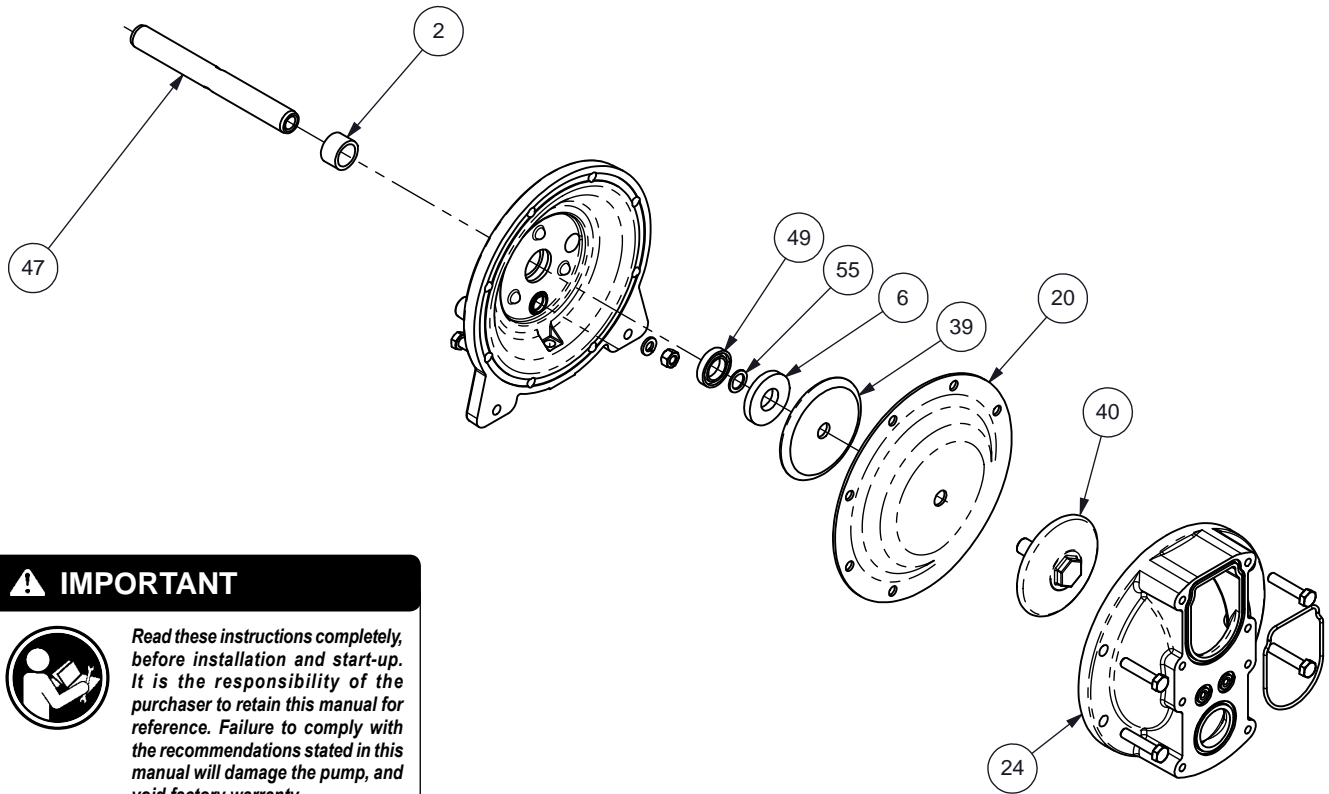
## PILOT VALVE ASSEMBLY PARTS LIST WITH FKM O-RINGS

Item	Part Number	Description	Qty
4	095.074.363	Pilot Valve Assembly	1
4A	095.071.558	Pilot Valve Body	1
4B	755.025.363	Pilot Valve Sleeve	1
4C	560.033.363	O-ring	4
4D	775.014.363	Pilot Valve Spool	1
4E	560.023.363	O-ring	4
4F	675.037.080	Retaining Ring	1





# Diaphragm Service Drawing



**! IMPORTANT**

*Read these instructions completely, before installation and start-up. It is the responsibility of the purchaser to retain this manual for reference. Failure to comply with the recommendations stated in this manual will damage the pump, and void factory warranty.*

## Diaphragm Servicing

**Step 1:** With manifolds and outer chambers removed, remove diaphragm assemblies from diaphragm rod. **DO NOT** use a pipe wrench or similar tool to remove assembly from rod. Flaws in the rod surface may damage bearings and seal. Soft jaws in a vise are recommended to prevent diaphragm rod damage.

**Step 1.A: NOTE:** Not all inner diaphragm plates are threaded. Some models utilize a through hole in the inner diaphragm plate. If required to separate diaphragm assembly, place assembly in a vise, gripping on the exterior cast diameter of the inner plate. Turn the outer plate clockwise to separate the assembly.

Always inspect diaphragms for wear cracks or chemical attack. Inspect inner and outer plates for deformities, rust scale and wear. Inspect intermediate bearings for elongation and wear. Inspect diaphragm rod for wear or marks. Clean or repair if appropriate. Replace as required.

**Step 2:** Reassembly: There are two different types of diaphragm plate assemblies utilized throughout the Sandpiper product line: Outer plate with a threaded stud, diaphragm, and a threaded inner plate.

Outer plate with a threaded stud, diaphragm, and an inner plate with through hole. Secure threaded inner plate in a vise. Ensure that the plates are being installed with the outer radius against the diaphragm.

**Step 3:** Lightly lubricate, with a compatible material, the inner faces of both outer and inner diaphragm plates when using on non Overlay diaphragms (For EPDM water is recommended). No lubrication is required.

**Step 4:** Push the threaded outer diaphragm plate through the center hole of the diaphragm. **Note:** Most diaphragms are installed with the natural bulge out towards the fluid side. S05, S07, and S10 non-metallic units are installed with the natural bulge in towards the air side.

**Step 5:** Thread or place, outer plate stud into the inner plate. For threaded inner plates, use a torque wrench to tighten the assembly together. Torque values are called out on the exploded view.

Repeat procedure for second side assembly. Allow a minimum of 15 minutes to elapse after torquing, then re-torque the assembly to compensate for stress relaxation in the clamped assembly.

**Step 6:** Thread one assembly onto the diaphragm rod with sealing washer (when used) and bumper.

**Step 7:** Install diaphragm rod assembly into pump and secure by installing the outer chamber in place and tightening the capscrews.

**Step 8:** On opposite side of pump, thread the remaining assembly onto the diaphragm rod. Using a torque wrench, tighten the assembly to the diaphragm rod. Align diaphragm through bolt holes, always going forward past the recommended torque. Torque values are called out on the exploded view. **NEVER** reverse to align holes, if alignment cannot be achieved without damage to diaphragm, loosen complete assemblies, rotate diaphragm and reassemble as described above.

5: WET END

# 5 - YEAR Limited Product Warranty

Warren Rupp, Inc. ("Warren Rupp") warrants to the original end-use purchaser that no product sold by Warren Rupp that bears a Warren Rupp brand shall fail under normal use and service due to a defect in material or workmanship within five years from the date of shipment from Warren Rupp's factory. Warren Rupp brands include Warren Rupp®, SANDPIPER®, SANDPIPER Signature Series™, MARATHON®, Porta-Pump®, SludgeMaster™ and Tranquilizer®.

The use of non-OEM replacement parts will void (or negate) agency certifications, including CE, ATEX, CSA, 3A and EC1935 compliance (Food Contact Materials). Warren Rupp, Inc. cannot ensure nor warrant non-OEM parts to meet the stringent requirements of the certifying agencies.

~ See [sandpiperpump.com/content/warranty-certifications](http://sandpiperpump.com/content/warranty-certifications) for complete warranty, including terms and conditions, limitations and exclusions. ~

**WARREN  
RUPP, INC.**

## Declaration of Conformity

**Manufacturer: Warren Rupp, Inc., 800 N. Main Street  
Mansfield, Ohio, 44902 USA**

Certifies that Air-Operated Double Diaphragm Pump Series: HDB, HDF, M Non-Metallic, S Non-Metallic, M Metallic, S Metallic, T Series, G Series, U Series, EH and SH High Pressure, RS Series, W Series, SMA and SPA Submersibles, and Tranquilizer® Surge Suppressors comply with the European Community Directive 2006/42/EC on Machinery, according to Annex VIII. This product has used Harmonized Standard EN809:1998+A1:2009, Pumps and Pump Units for Liquids - Common Safety Requirements, to verify conformance.

  
Signature of authorized person

October 20, 2005

Date of issue

Director of Engineering  
Title

Authorised Representative:  
IDEX Pump Technologies  
R79 Shannon Industrial Estate  
Shannon, Co. Clare, Ireland

February 27, 2017

Date of revision

Attn: Barry McMahon

Revision Level: F



5: WET END



# WARREN RUPP, INC.

## EC / EU Declaration of Conformity

The objective of the declaration described is in conformity with the relevant Union harmonisation legislation: Directive 94/9/EC (until April 19, 2016) and Directive 2014/34/EU (from April 20, 2016).

**Manufacturer:**

Warren Rupp, Inc.  
A Unit of IDEX Corporation  
800 North Main Street  
P.O. Box 1568  
Mansfield, OH 44902 USA

**Applicable Standard:**

EN13463-1: 2001  
EN13463-5: 2003  
EN60079-25: 2004

**Harmonised Standard:**

EN13463-1: 2009  
EN13463-5: 2011  
EN60079-25:2010

The harmonised standards have been compared to the applicable standards used for certification purposes and no changes in the state of the art technical knowledge apply to the listed equipment.

**AODD Pumps and Surge Suppressors**

Technical File No.: 203104000-1410/MER

**AODD (Air-Operated Double Diaphragm) Pumps**

EC Type Examination Certificate No. Pumps: KEMA 09ATEX0071 X

DEKRA Certification B.V. (0344)

Meander 1051  
6825 MJ Arnhem  
The Netherlands

**Hazardous Locations Applied:**

I M1 c	II 1 G c T5
II 2 G Ex ia c IIC T5	II 1 D c T100°C
II 2 D Ex c iaD 20 IP67 T100°C	II 2 G c T5
II 2 G Eex m c II T5	II 2 D c T100°C
II 2 D c IP65 T100°C	II 2 G c IIB T5

**SANDPIPER®**  
A WARREN RUPP, INC. BRAND

**Tranquilizer®**

DATE/APPROVAL/TITLE:  
18 March 2016

*David Roseberry*  
David Roseberry, Director of Engineering

**IDEX**