

END-SUCTION CENTRIFUGAL PUMPS

Series: IB
1 - 15 HP / 1750 & 3500 RPM
Suction: 2" - 3" NPT
Discharge: 1½" - 2½" NPT



▶ With 304 stainless steel impeller

APPLICATIONS

- ▶ Booster systems
- ▶ Water transfer
- ▶ Chilled water system
- ▶ High flow-rate / medium pressure

VOLUTE

Cast iron ASTM A-48 class 30

LIQUID TEMPERATURE

160°F (71°C) máx.

INTERMEDIATE COUPLING

Cast iron ASTM A-48 class 30

IMPELLER

- ▶ Stainless steel 304
- ▶ Investment casting
- ▶ Dynamically balanced

SEAL

Design: mechanical, type 01.

Material: Ceramic stationary part, carbon ring seal and exclusion in the rotating part. Buna-N elastomer and stainless steel spring.

SHAFT SLEEVE

Stainless steel

O-RINGS

Buna-N

MOTOR

High quality premium efficiency TEFC electric motors, designed & developed in accordance with industry standards for industrial and commercial pumping applications.

- ▶ 1 & 3 phases, 60 Hz
- ▶ Rated output: 1 to 15 HP
- ▶ 1750 & 3500 RPM
- ▶ Frame sizes: 143 JM to 254 JM

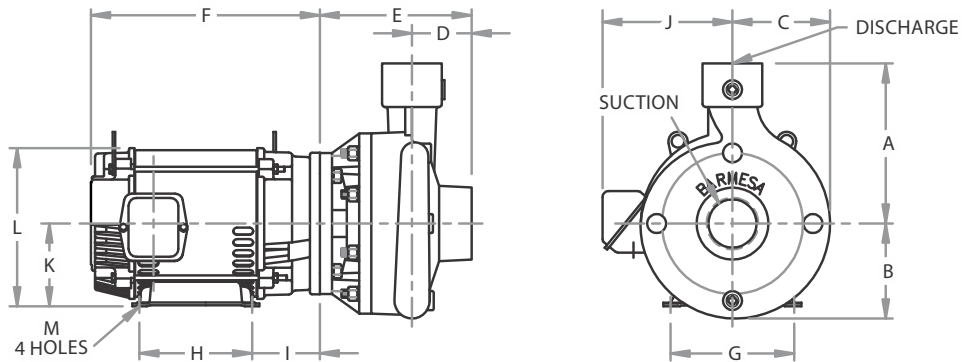
HARDWARE

Carbon steel

PAINT

Air dry enamel, water based.

Last update: 12/06/2022



| MODEL | PART No. | SIZE | HP | PHASE | RPM | FRAME | A | B | C | D | E | F | G | H | I | J | K | L | M |
|--------------|----------|--------------|-----|-------|-------|-------|-------|------|------|------|------|-------|-------|------|------|------|------|-------|------|
| IB1½-3-2-1 | 62071061 | 2" x 1½" NPT | 3 | 1 | 3500 | 182JM | 7.38 | 4.38 | 4.5 | 2.75 | 7 | 13.56 | 7.5 | 4.5 | 3.5 | 7.5 | 4.5 | 9.28 | 0.41 |
| IB1½-5-2-1 | 62071062 | | 5 | 1 | 3500 | 184JM | | | | | 7 | 13.56 | 7.5 | 5.5 | 3.5 | 7.5 | 4.5 | 9.28 | 0.41 |
| IB1½-7.5-2-1 | 62071063 | | 7.5 | 1 | 3500 | - | | | | | - | - | - | - | - | - | - | - | - |
| IB1½-1-4 | 62071001 | | 1 | 3 | 1750 | - | | | | | 7 | - | - | - | - | - | - | - | - |
| IB1½-1.5-2 | 62071002 | | 1.5 | 3 | 3500 | 143JM | | | | | 7 | 10 | 5.5 | 4 | 2.09 | 6.13 | 3.5 | 7.31 | 0.34 |
| IB1½-1.5-4 | 62071003 | | 1.5 | 3 | 1750 | - | | | | | - | - | - | - | - | - | - | - | - |
| IB1½-2-2 | 62071004 | | 2 | 3 | 3500 | 145JM | | | | | 7 | 10 | 5.5 | 4 | 2.09 | 6.13 | 3.5 | 7.31 | 0.34 |
| IB1½-2-4 | 62071005 | | 2 | 3 | 1750 | - | | | | | - | - | - | - | - | - | - | - | - |
| IB1½-3-2 | 62071006 | | 3 | 3 | 3500 | 182JM | | | | | 7 | 13.56 | 7.5 | 4.5 | 3.5 | 7.5 | 4.5 | 9.28 | 0.41 |
| IB1½-5-2 | 62071007 | | 5 | 3 | 3500 | 184JM | | | | | 7 | 13.56 | 7.5 | 5.5 | 3.5 | 7.5 | 4.5 | 9.28 | 0.41 |
| IB1½-7.5-2 | 62071008 | 7.5 | 3 | 3500 | 213JM | 7.13 | 15.63 | 8.5 | 5.5 | 4.25 | 8.25 | 5.25 | 10.25 | 0.44 | | | | | |
| IB2-3-2-1 | 62071071 | 2½" x 2" NPT | 3 | 1 | 3500 | 182JM | 7.75 | 4.63 | 4.81 | 2.88 | 7.13 | 13.56 | 7.5 | 4.5 | 3.5 | 7.5 | 4.5 | 9.28 | 0.41 |
| IB2-5-2-1 | 62071072 | | 5 | 1 | 3500 | 184JM | | | | | 7.13 | 13.56 | 7.5 | 5.5 | 3.5 | 7.5 | 4.5 | 9.28 | 0.41 |
| IB2-7.5-2-1 | 62071073 | | 7.5 | 1 | 3500 | - | | | | | - | - | - | - | - | - | - | - | |
| IB2-1-4 | 62071021 | | 1 | 3 | 1750 | - | | | | | - | - | - | - | - | - | - | - | |
| IB2-1.5-4 | 62071022 | | 1.5 | 3 | 1750 | 145JM | | | | | 7.13 | 10 | 5.5 | 5 | 2.09 | 6.13 | 3.5 | 7.31 | 0.34 |
| IB2-2-2 | 62071023 | | 2 | 3 | 3500 | 143JM | | | | | 7.13 | 10 | 5.5 | 4 | 2.09 | 6.13 | 3.5 | 7.31 | 0.34 |
| IB2-2-4 | 62071024 | | 2 | 3 | 1750 | - | | | | | - | - | - | - | - | - | - | - | |
| IB2-3-2 | 62071025 | | 3 | 3 | 3500 | 182JM | | | | | 7.13 | 13.56 | 7.5 | 4.5 | 3.5 | 7.5 | 4.5 | 9.28 | 0.41 |
| IB2-5-2 | 62071026 | | 5 | 3 | 3500 | 184JM | | | | | 7.13 | 13.56 | 7.5 | 5.5 | 3.5 | 7.5 | 4.5 | 9.28 | 0.41 |
| IB2-7.5-2 | 62071027 | | 7.5 | 3 | 3500 | 213JM | | | | | 7.25 | 15.63 | 8.5 | 5.5 | 4.25 | 8.25 | 5.25 | 10.25 | 0.44 |
| IB2-10-2 | 62071028 | 10 | 3 | 3500 | 215JM | 7.25 | 17.13 | 8.5 | 7 | 4.25 | 8.25 | 5.25 | 10.25 | 0.44 | | | | | |
| IB2½-5-2-1 | 62070081 | 3" x 2½" NPT | 5 | 1 | 3500 | 184JM | 8.38 | 5.13 | 5.25 | 3.25 | 7.63 | 13.56 | 7.5 | 5.5 | 3.5 | 7.50 | 4.5 | 9.28 | 0.41 |
| IB2½-7.5-2-1 | 62071082 | | 7.5 | 1 | 3500 | - | | | | | - | - | - | - | - | - | - | - | |
| IB2½-1-4 | 62071041 | | 1 | 3 | 1750 | - | | | | | - | - | - | - | - | - | - | - | |
| IB2½-1.5-4 | 62071042 | | 1.5 | 3 | 1750 | - | | | | | - | - | - | - | - | - | - | - | |
| IB2½-2-4 | 62071043 | | 2 | 3 | 1750 | 145JM | | | | | 7.63 | 10 | 5.5 | 5 | 2.09 | 6.13 | 3.5 | 7.31 | 0.34 |
| IB2½-3-4 | 62071044 | | 3 | 3 | 1750 | - | | | | | - | - | - | - | - | - | - | - | |
| IB2½-5-2 | 62071045 | | 5 | 3 | 3500 | 184JM | | | | | 7.63 | 13.56 | 7.5 | 5.5 | 3.5 | 7.50 | 4.5 | 9.28 | 0.41 |
| IB2½-7.5-2 | 62071046 | | 7.5 | 3 | 3500 | 213JM | | | | | 7.75 | 15.63 | 8.5 | 5.5 | 4.25 | 8.25 | 5.25 | 10.25 | 0.44 |
| IB2½-10-2 | 62071047 | | 10 | 3 | 3500 | 215JM | | | | | 7.75 | 17.13 | 8.5 | 7 | 4.25 | 8.25 | 5.25 | 10.25 | 0.44 |
| IB2½-15-2 | 62071048 | | 15 | 3 | 3500 | 254JM | | | | | 7.75 | 20.13 | 10 | 8.25 | 4.75 | 9.94 | 6.25 | 12.94 | 0.53 |

All dimensions are in inches, and may vary depending on the motor manufacturer.

IMPORTANT!

1. Never use this pump to handle explosive liquids.
2. This pump is not approved to be used in swimming pools, recreational installations or any application where human contact may be common.

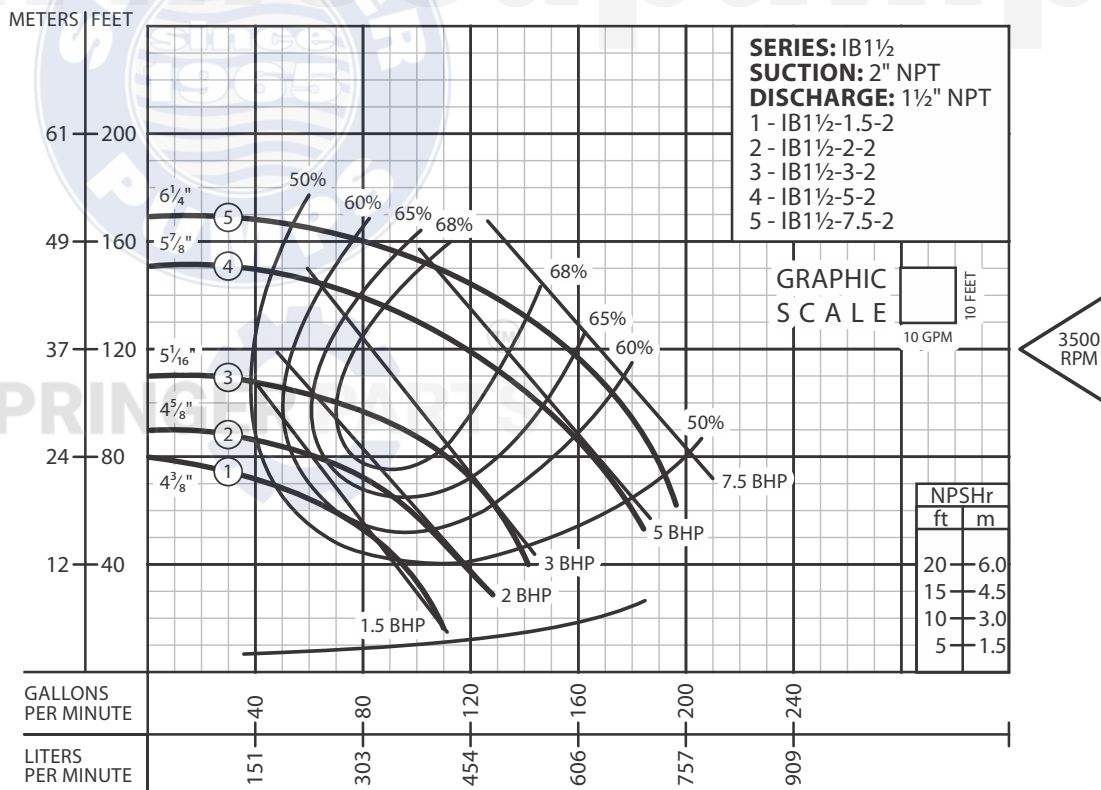
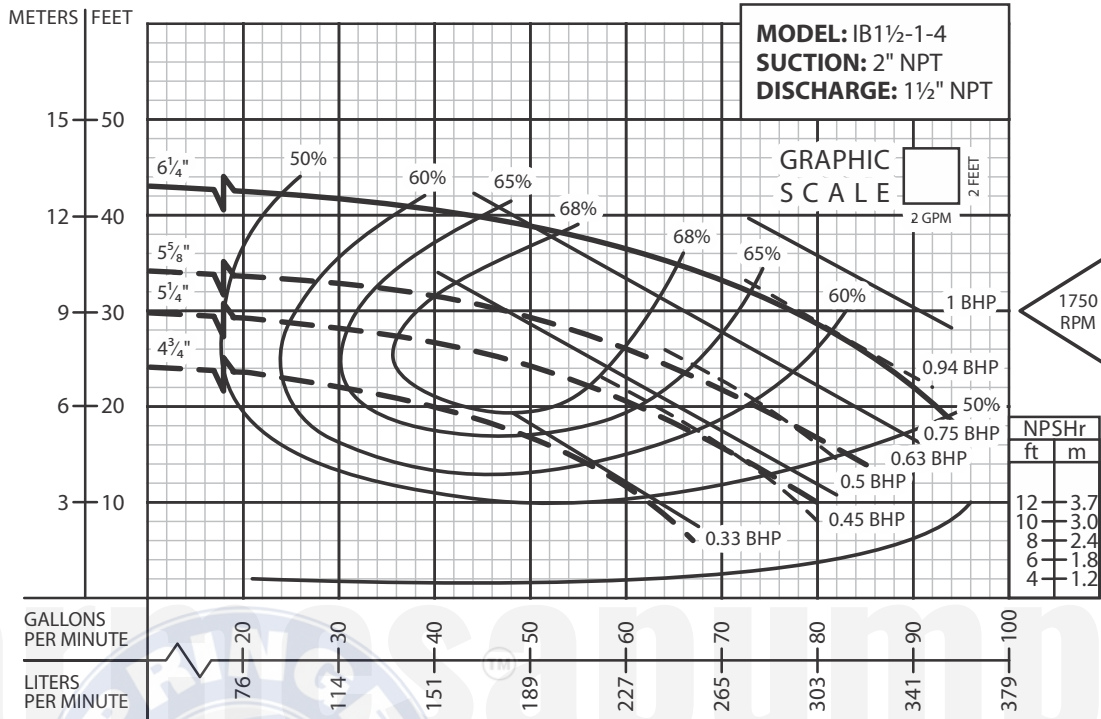
barmesapumps.com/US

North America: 866 777 6060
Int'l: +1 267 404 2910

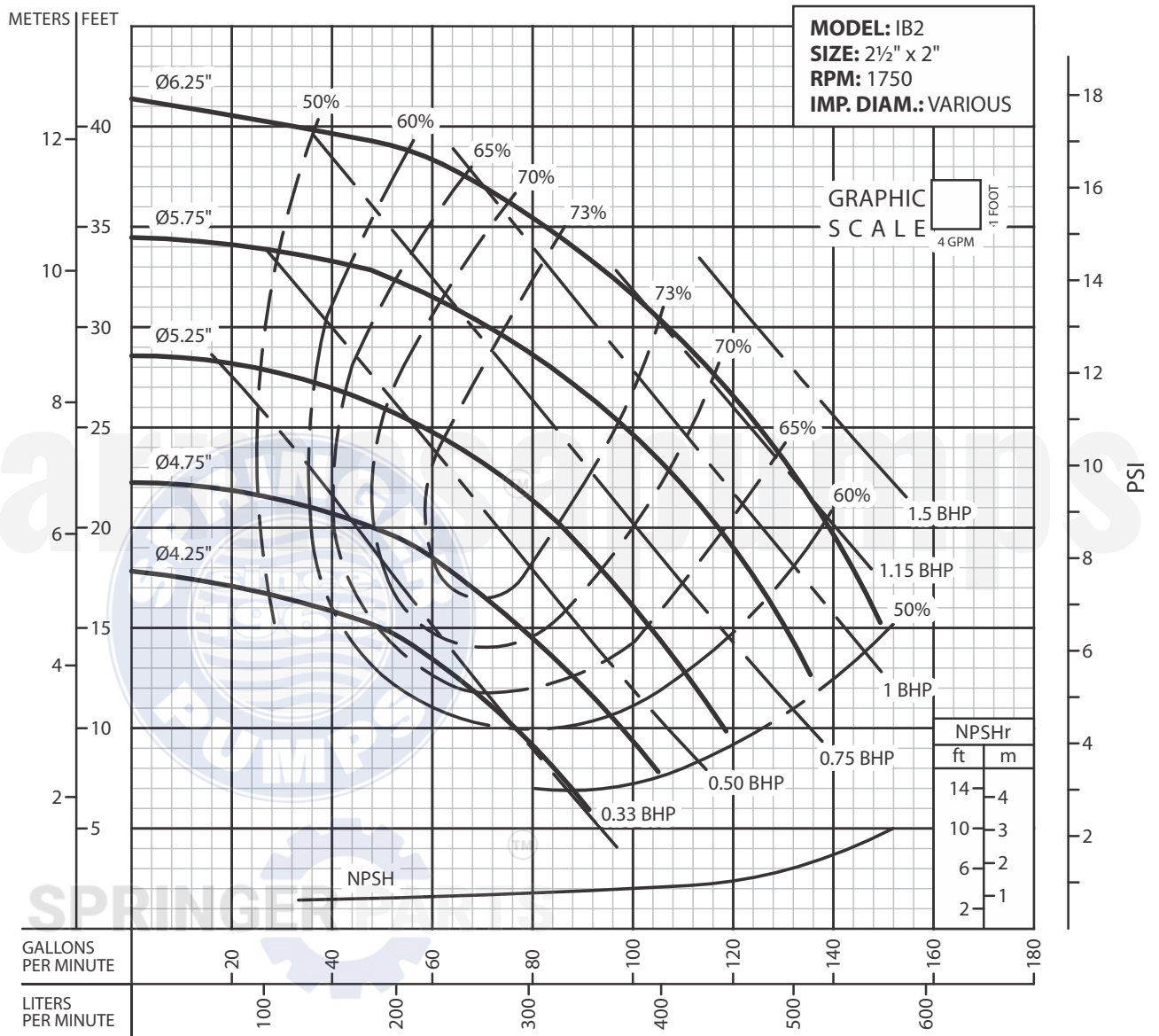
Springer Pumps
Springer Parts

www.springerpumps.com
www.springerparts.com

PERFORMANCE CURVE
End-Suction Centrifugal
Close Coupled
Series: IB1½

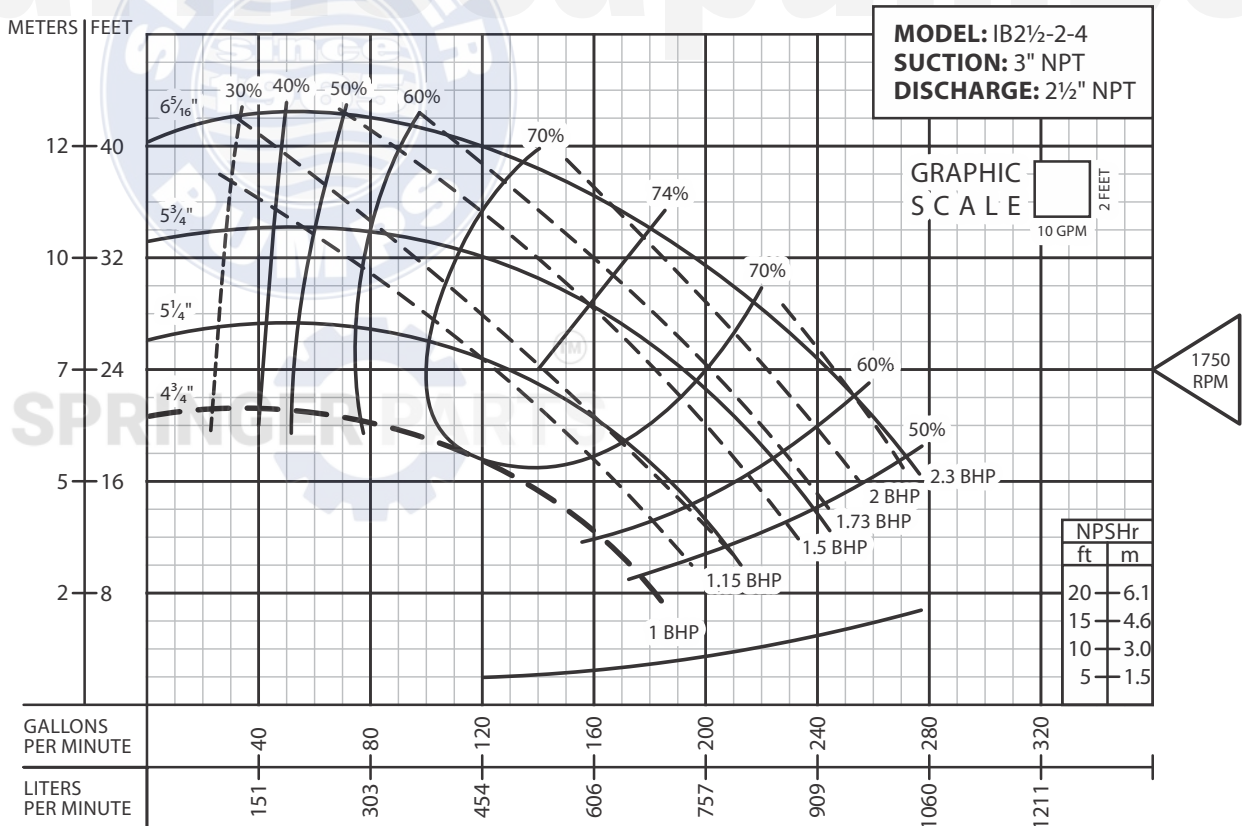
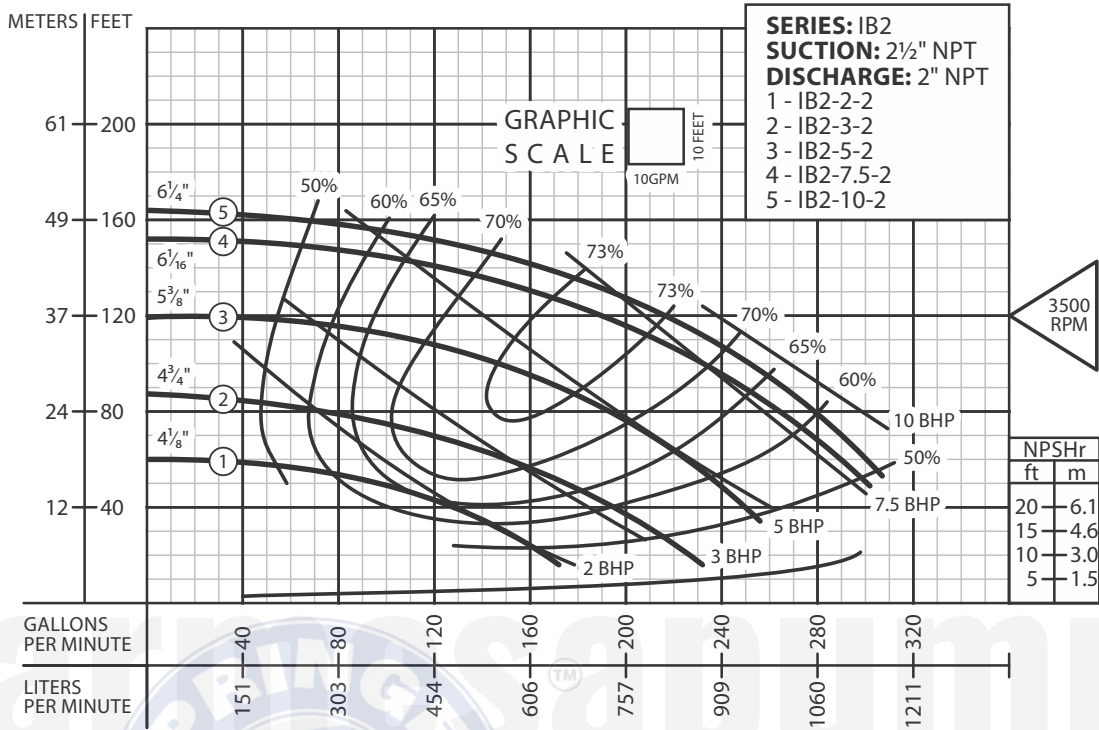


Testing is performed with water specific gravity of 1.0 @ 68 °F (20 °C); other fluids may vary performance.



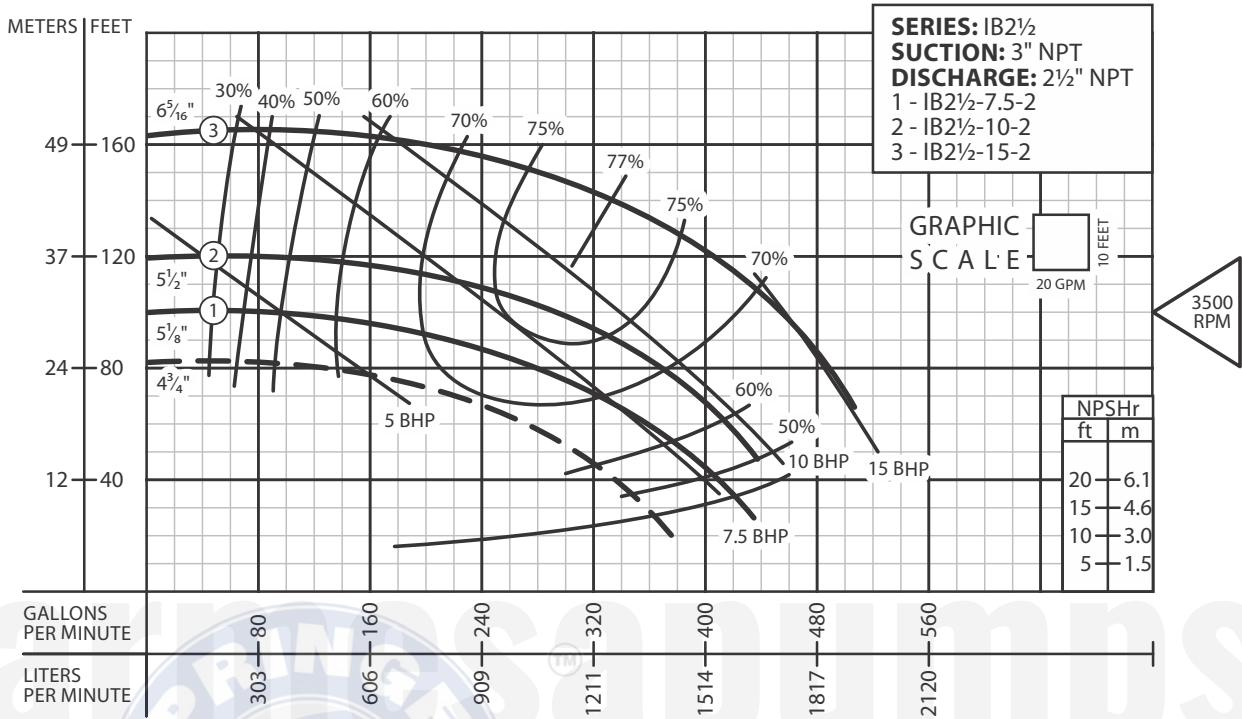
Testing is performed with water specific gravity of 1.0 @ 68 °F (20 °C); other fluids may vary performance.

PERFORMANCE CURVE
End-Suction Centrifugal
Close Coupled
Series: IB2 & 2½



Testing is performed with water specific gravity of 1.0 @ 68 °F (20 °C); other fluids may vary performance.

PERFORMANCE CURVE
End-Suction Centrifugal
Close Coupled
Series: IB2½



Testing is performed with water specific gravity of 1.0 @ 68 °F (20 °C); other fluids may vary performance.