

Please read and save this Repair Parts Manual. Read this manual and the General Operating Instructions carefully before attempting to assemble, install, operate or maintain the product described. Protect yourself and others by observing all safety information. The Safety Instructions are contained in the General Operating Instructions. Failure to comply with the safety instructions accompanying this product could result in personal injury and/or property damage! Retain instructions for future reference. AMT reserves the right to discontinue any model or change specifications at any time without incurring any obligation.  
©2019 AMT Pump Company, A Subsidiary of The Gorman-Rupp Company, All Rights Reserved.

Periodic maintenance and inspection is required on all pumps to ensure proper operation. Unit must be clear of debris and sediment. Inspect for leaks and loose bolts. Failure to do so voids warranty.

# 480 Series Pumps

Refer to pump manual 1808-634-00 for General Operating and Safety Instructions.



## DESCRIPTION

AMT JM motor driven pumps are commercial duty, centrifugal, self-priming (to 20 ft. vertical lift after initially filling casing with liquid), portable units. Pumps are equipped with industry standard mechanical shaft seals. Iron suction and discharge manifolds are standard NPT threads for connection to swivel hose fitting with gasket or standard NPT pipe fittings. Pump components will handle liquids with a temperature range of 40° to 200°F (4° to 93° C). Pump only nonflammable liquids compatible with pump component materials. Standard pumps are close coupled to NEMA JM frame TEFC electric motors.

## SPECIFICATIONS

Standard units are constructed of cast aluminum with cast iron diffusers, suction flange and discharge manifold. Standard seals are EPDM/EPR with carbon/ silicon ceramic wear faces.

**IMPORTANT: Not for use with petroleum based liquids.**

## UNPACKING

1. Remove pump from packaging materials.
2. Package should include: pump/motor, general/safety manual, specification/parts manual and engine manual. Pump kits: Pump end, general safety manual and specification/parts manual.
3. Make sure all components are accounted for before discarding packaging material.
4. Inspect all components for damage.
5. No assembly is required for standard motor driven pumps. Pump kits must be constructed on appropriate motor.

## PREPARING UNIT FOR OPERATION

### Placing Pump

1. Always place the pump as close to the liquid source as possible. Priming efficiency and pump output will be reduced if a long (>20 ft.) suction line is used. Keep all lines as short and straight as possible. Avoid any sharp bends. Suction line cannot have loops or high spots, hose must have a gradual slope up to pump.
2. Pump/motor must be located on a solid level surface.

### Connecting Hose or Piping

**IMPORTANT:** Pipe Dope/Thread Sealant must be used on all suction and discharge connections.

1. (2) Female NPT Pipe Ports are included for use with specific hose and pipe connections.
2. All suction hose/piping connection must be air tight.

**NOTE: Pump will not prime if there are any air leaks in the suction line or connections. Use only non-collapsible hose or pipe on the suction.**

3. If collapsible hose is used on the discharge, the end of the discharge line is submerged in liquid or a check valve is placed in the discharge line, a means of venting air out of the pump during the priming cycle must be employed.
4. Always use a suction strainer to keep large debris out of the pump. Position strainer well below liquid surface and on a bed of stone or other suitable surface. If possible, suspend strainer off pit bottom. As a last resort, tie the strainer in a large submerged bucket if bottom of water source is too soft or muddy.

### Before Starting Motor

1. Connect motor to suitable power source, make sure connections match motor nameplate wiring diagram.
2. Apply momentary power to check shaft rotation. Shaft must rotate counterclockwise when looking at pump casing.
3. Always fill pump with liquid through the priming port located on top of the discharge manifold or pump casing before starting engine.

**IMPORTANT:** The pump is self-priming only when the pump is filled with liquid.

### Operation

1. Make certain pump is filled with liquid before starting motor. Failure to do so will result in damage to the mechanical shaft seal. Never run pump dry.

### **▲WARNING**

**DO NOT USE PUMP IN EXPLOSIVE ATMOSPHERE. DO NOT PUMP VOLATILE OR FLAMMABLE LIQUIDS.**

2. Run motor at full speed during priming. After pump has primed, speed may be reduced with a VFD drive to regulate pump output.

# 480 Series Pumps

- Pump will self-prime to a vertical height of 10' in less than two minutes, 20' may take up to 4 minutes. If pump doesn't prime: check for air leaks, move pump closer to liquid, shorten suction line, remove loops and high spots from suction line, refill pump with liquid or see troubleshooting guide in this manual.
- Operating pump at shut-off or close to shut-off for an extended period of time, greater than a minute or two, will cause premature wear and possible internal damage. Operating at flows less than 10 gpm should be avoided.
- Install #270 o-ring (Ref. No. K1) into bracket. Lubricate o-ring with soapy water.
- Install seal plate into bracket bore with shaft seal seat towards bracket body casing mount flange.
- Position bracket onto adapter locating diameter. Align bracket cast feet with motor foot. Slide bracket onto adapter.
- Install 3/8-16 nuts (A5) onto studs (A4). Tighten nuts to 140 lb-in torque. Tighten nuts gradually in a crisscross pattern until finale torque.

## After Pump is Shut Down

- Always flush the pump out at the end of operation if the liquid being pumped may leave a solid or sticky residue inside of pump or if a buildup of sediment inside the pump is expected.
- Always drain pump completely of liquid if there is a chance of freezing.

## Storing Pump

- When pump is out of service for an extended period of time, completely drain liquid from casing and store pump in a dry, protected, well-ventilated area.

## COMPLETE PUMP ASSEMBLY PROCEDURE

*Reference Repair/Replacement Part Exploded View and Lists*

**NOTE:** Do not use petroleum based lubricants with EPDM / EPR rubber seal parts and o-rings. Petroleum based products will damage EPDM/EPR components.

**NOTE:** Apply a small amount of anti-seize lubricant to bore, threaded or keyed, in impeller. If petroleum based anti-seize lubricant is used, do not allow it to contact EPDM/EPR components.

## Assemble Bracket

- Apply Permanent thread locker to end of 1/4-20x1-1/2 stud (Ref. No. A2). Install studs into tapped holes in bracket (Ref. No. A1). Stud cannot extend past back face (flush)
- Lock studs in position with 1/4-20 jam nuts (Ref. No. A3).
- Apply permanent thread locker to end of 3/8-16 stud (Ref. No. A4). Install studs into tapped holes in bracket until stud bottoms.

## Install Adapter

- Locate adapter (Ref. No. J1) onto motor end bell housing. Position cast arrow up. Locate adapter machined bore on motor (ref. No. M) end bell housing locating diameter.
- Install four screws (Ref. No. J2) (184JM=3/8-16, 215JM=1/2-13) tighten 3/8-16 screws to 140 lb-in, 1/2-13 screws to 20 lb-ft.

## Install Seal Plate / Bracket

- Install shaft seal seat (Ref. No. G2) into bore in pump side of seal plate (Ref. No. H1). Lubricate rubber seal of seat with soapy water. Press into seal plate with thumb pressure, take care not to scratch or damage seal face.

## Install Stub Shaft

- Lubricate inside diameter of rubber portion of shaft seal head (Ref. No. G1) with soapy water. Insert threaded end of stub shaft (Ref. No. F1) into seal head. Seal head rotating ring face should be towards motor shaft bore. Slide seal head onto smooth diameter of stub shaft. Position seal ring face approximately 3/8" from motor bore end face of stub shaft.
- Install drive key (Ref. No. F5) into motor shaft keyway.
- Install stub shaft onto motor shaft, align drive key to stub shaft keyway and slide on until stub shaft contacts motor shaft shoulder. Readjust seal head position if needed to ensure seal faces contact slightly when stub shaft bottoms on shaft shoulder.
- Install 3/8-16x3-1/2 (ref. No. F2) hex screw into hole in stub shaft. Thread hex screw into motor shaft. Tighten hand tight only.

## Install Second Stage Impeller & Diffuser

- Thread impeller (Ref. No. E1) (both are identical) onto stub shaft until it bottoms on stub shaft shoulder. Be careful that seal spring washer doesn't become pinched between impeller and stub shaft shoulder. Washer must slide up over stub shaft.
- Install diffuser #2 (Ref. No. B1) over impeller, align holes in diffuser with 1/4-20 studs in bracket, locate on seal plate. Fasten with two 1/4-20 hex nuts (Ref. No. B2).

## ▲ WARNING

**Do Not over-tighten nuts or damage to diffuser casting will result. Use thread locking compound such as Loctite and tighten nuts to 35 lb-in.**

- Install #148 o-ring (Ref. No. K3) on front of diffuser #2. Lubricate o-ring with soapy water.
- Install impeller spacer (Ref. No. E2) on stub shaft. Slide on until spacer bottoms against impeller.

## Install First Stage Impeller & Diffuser

- Slide diffuser #1 (Ref. No. C1) over stub shaft. Align diffuser center bore with impeller spacer. Diffuser #1 locates on front nose diameter of diffuser #2 shoulder.
- Rotate diffuser #1 until cast drain slot is positioned down and holes in ears align with tapped holes in diffuser #2.
- Thread impeller #1 (Ref. No. A11) onto stub shaft until it bottoms against spacer. Measure distance from end of impeller hub to end of stub shaft.
- Remove 3/8-16x3-1/4 hex screw (Ref. No. F2) holding stub shaft to motor shaft.

# 480 Series Pumps

5. Install 1-1/4 outside diameter washer (Ref. No. F3) onto hex screw first against head then install #110 o-ring on screw. Lubricate o-ring with soapy water. Slide o-ring up to washer.
6. Install shims on end of stub shaft to fill gap between end of impeller #1 and end of stub shaft. If end of impeller hub protrudes past end of stub shaft no shims are required.
7. Reinstall 3/8-16x3-1/4 hex screw, with washer and o-ring into stub shaft. Thread screw into motor shaft. Tighten screw to 18 lb-ft torque.
2. Position a flange gasket (Ref. No. K6) on the casing discharge flange.
3. Position discharge manifold on flange gasket. Fill plug boss can be position front or to either side. Install four screws (Ref. No. P2) tighten to 100 lb-in torque. Alternate tightening screws in a cross pattern to reduce the chance of crushing the flange gasket.

## Install Diffuser Cover

1. Install #169 o-ring (Ref. No. K4) on diffuser cover (Ref. No. D1). Lubricate o-ring with soapy water.
2. Locate diffuser cover o-ring diameter into diffuser #1 bore. Position diffuser cover nose up. Align diffuser cover bolt ears with ears in diffuser #1 and diffuser #2. Slide diffuser cover into diffuser #1 until it bottoms.
3. Install three 1/4-20 x3" hex screws (Ref. No. D2) with flat washer (Ref. No. D3) through the diffuser cover and diffuser #1 threading into tapped holes in diffuser #2. Tighten screws until all parts fit metal to metal and all o-rings are compressed. Do not over tighten. Tighten screws to 60 lb-in torque.
4. Install check valve (Ref. No K7) onto diffuser cover suction nose. Position check valve so flapper hinges at the top or 12:00 position.

## Check Rotation

1. After diffuser assembly is complete rotate driver shaft and check for interference.
2. There may be some slight rubbing of the impeller nose in its bore. This is acceptable.
3. Driver shaft must rotate freely. Drag of impeller nose in its bore cannot greatly restrict shaft rotation.

## Install Casing

1. Install #378 o-ring (Ref. No. K2) onto casing (Ref. No. L1). Lubricate o-ring with soapy water.
2. Install six 5/16-18x1-1/4 hex screws (Ref. No. L2) through casing ears. Fix screws in position by sliding a #109 o-ring (Ref. No. L3) over each screw into casing ear back bore.
3. Install a 1/2"NPT plug into casing drain port.
4. Position casing onto bracket, locate casing o-ring nose into bracket front bore. Slide casing into bore until it bottoms. Tighten all six hex screws in a diagonal pattern fastening casing to bracket. Tighten screws to 120 lb-in torque.

## Install Suction Flange

1. Position a flange gasket (Ref. No. K6) on the casing suction flange.
2. Position suction flange (Ref. No. N1) on flange gasket. Install four screws (Ref. No. N2) tighten to 100 lb-in torque. Alternate tightening screws in a cross pattern to reduce the chance of crushing the flange gasket.

## Install Discharge Manifold

1. Install a 1/2"NPT plug (Ref. No. P3) into fill plug boss of discharge manifold (Ref. No. P1)

## REPAIR AND MAINTENANCE INSTRUCTIONS

### Shaft Seal Replacement

1. Loosen six hex screws (Ref. No. L2) until screw disengages bracket (Ref. No. A1).
2. Remove casing (Ref. No. L1) assembly from bracket.
3. Remove three hex screws (Ref. No. D2).
4. Remove diffuser cover (Ref. No. D1) and o-ring (Ref. No. K4).
5. Remove hex screw (Ref. No. F2), washer (Ref. No. F3) and shim(s) (Ref. No. F4) if installed.
6. Reinstall hex screw without washer and shims.
7. Remove impeller #1 (Ref. No. E1). Impeller unthreads counterclockwise. Utilize cast slots in the impeller front shroud, use a screwdriver in slot and tap with a mallet to loosen impeller. Hold stub shaft (Ref. No. F1) by putting a wrench on hex screw (Ref. No. F2).
8. Remove diffuser #1 (Ref. No. C1).
9. Remove spacer (Ref. No. E2) from stub shaft.
10. Remove o-ring (Ref. No. K3) from diffuser #2 (Ref. No. B1)
11. Remove nuts (Ref. No. B2) holding diffuser #2 to bracket.
12. Remove diffuser #2.
13. Remove impeller #2. Use same technique as impeller #1.
14. Remove hex screw (Ref. No. F2).
15. Remove stub shaft.
16. Remove 3/8-16 hex nuts (Ref. No. A5) holding bracket to adapter (Ref. No. J1).
17. Remove bracket from adapter.
18. Remove seal plate (Ref. No. H1) from bracket.
19. Remove seal seat (stationary ring) (Ref. No. G2) from seal plate. Discard old seat.
20. Remove seal head (rotating ring) (Ref. No. G1) from stub shaft. Discard old seal.
21. Replace any O-rings that are worn or damaged.
22. Rebuild pump with new replacement seal assembly. Follow COMPLETE PUMP ASSEMBLY PROCEDURE.

### Cleaning Pump

This is a high pressure pump with closed impellers and diffusers. This pump should be used with clean liquids, it will not pass solids.

1. Remove the casing. Clean out any accumulated solids.
2. Remove all diffusers and impellers.
3. The impellers and diffuser #1 have internal cast passages that are difficult to clean. Using pressurized air or water may be required to dislodge any accumulated solids. Running a wire through the passages may also dislodge solids.
4. Reassemble pump.

# 480 Series Pumps

## **Impeller/Diffuser Wear**

- Pump performance relies on a close running clearance of the impeller nose in its bore in the diffuser cover (impeller #1), or diffuser #2 (impeller #2).
- If the clearance, on diameter, (bore id – impeller nose od) exceeds 0.06” replacing the diffuser cover (Ref. No. A8) and/or diffuser #2 (Ref. No. A2) may be required to restore performance.
- If pump performance is acceptable there is no need to replace any parts.

## **Periodic Maintenance**

1. Clean outside of pump and motor to remove accumulated dirt, oil, and grime.
2. Maintain motor according to motor manufacturer's recommendations.
3. It is recommended that a replacement shaft seal and seal kit be kept on hand at all times.
4. Check for leaks during pump operation. Leaks may occur at shaft seal, casing to bracket connection, suction and discharge manifold connections and through pump casing and bracket. Investigate and repair any leaks immediately.

**NOTE:** Motor failure due to water intrusion caused by a leaking seal will not be covered by motor or pump warranty.

5. Mechanical shaft seals are a wear item and require periodic replacement. Seal life is dependent on many factors including: liquid pumped, sediment type, operating point and suction conditions.
6. Inspect for loose fasteners. Tighten any loose fasteners immediately.





# 480 Series Pumps

Problem	Possible Cause(s)	Corrective Action
Pump fails to prime	<ol style="list-style-type: none"> <li>1 Pump not filled with liquid</li> <li>2 Air leak at suction line connection</li> <li>3 Worn suction connection gasket</li> <li>4 Leaking suction line</li> <li>5 Motor speed too low</li> <li>6 Worn or broken diffuser or impeller</li> <li>7 Leaking/worn mechanical shaft seal</li> <li>8 Clogged suction strainer/line</li> <li>9 Suction lift too great (25 ft. max)</li> <li>10 Suction line too long</li> <li>11 Pump is air locked</li> </ol>	<ol style="list-style-type: none"> <li>1 Add liquid to pump through priming port</li> <li>2 Add sealant to connection</li> <li>3 Replace suction gasket</li> <li>4 Inspect, repair or replace suction line</li> <li>5 Run motor at maximum speed</li> <li>6 Replace parts as required</li> <li>7 Replace mechanical shaft seal</li> <li>8 Clean strainer and suction line</li> <li>9 Reduce lift</li> <li>10 Reduce length to under 30 feet</li> <li>11 Vent pump discharge through priming port</li> </ol>
<p>Priming remedies that will NOT work:</p> <ol style="list-style-type: none"> <li>1. Holding suction line out of liquid source and forcing liquid into end while pump is running</li> <li>2. Pinching off the discharge line to "build up pressure".</li> <li>3. Holding hand against end of suction line or pump suction port to "feel" for suction.</li> </ol> <p>Follow above priming troubleshooting guide.</p> <p>If pump still will not prime after all corrective action is exhausted, check pump priming capacity by:</p> <ol style="list-style-type: none"> <li>1. Install a vacuum gauge on capped suction port. Gauge to suction port connection must be 100% air tight.</li> <li>2. Fill pump casing completely with water.</li> <li>3. Run pump at full speed, some water will be thrown out of discharge.</li> <li>4. Vacuum gauge should register 18-22 inches of mercury within a minute or so.               <ol style="list-style-type: none"> <li>a. If vacuum registers below 18 in of hg check gauge to pump connection for air leaks, inspect/replace volute, impeller and shaft seal as required.</li> <li>b. If vacuum gauge value is within range pump is working correctly. The problem is not the pump.</li> </ol> </li> </ol>		
Reduced capacity or discharge pressure	<ol style="list-style-type: none"> <li>1. Clogged strainer or lines</li> <li>2. High friction loss in line</li> <li>3. Discharge head too high</li> <li>4. Motor speed too low</li> <li>5. Drop in motor output</li> <li>6. Clogged impeller</li> <li>7. Worn/damaged impeller or diffuser</li> </ol>	<ol style="list-style-type: none"> <li>1. Clean strainer, suction and discharge lines</li> <li>2. Remove kinks and elbows, reduce length</li> <li>3. Lower end of discharge line, remove nozzles</li> <li>4. Increase motor speed</li> <li>5. Repair motor</li> <li>6. Remove clog</li> <li>7. Replace parts as required</li> </ol>
Pump will not work/engine will not turn over	<ol style="list-style-type: none"> <li>1. Clogged pump</li> <li>2. Pump parts rusted together</li> <li>3. Damaged impeller or diffuser</li> <li>4. Motor seized</li> </ol>	<ol style="list-style-type: none"> <li>1. Remove clog between impeller and difusser</li> <li>2. Disassemble pump, free parts</li> <li>3. Replace diffuser or impeller</li> <li>4. Remove pump from motor, check motor itself</li> </ol>
Pump will not work/engine runs	<ol style="list-style-type: none"> <li>1. Impeller stripped/key sheared</li> <li>2. Pump impeller/diffuser clogged</li> <li>3. Will not prime</li> <li>4. Insufficient liquid supply</li> </ol>	<ol style="list-style-type: none"> <li>1. Disassemble pump, replace parts/motor</li> <li>2. Clean pump</li> <li>3. See Priming Troubleshooting Section</li> <li>4. Increase liquid supply</li> </ol>

# 480 Series Pumps

**For Repair Parts contact dealer where pump was purchased.**

Please provide following information:

-Model Number

-Serial Number (if any)

Part description and number as shown in parts list

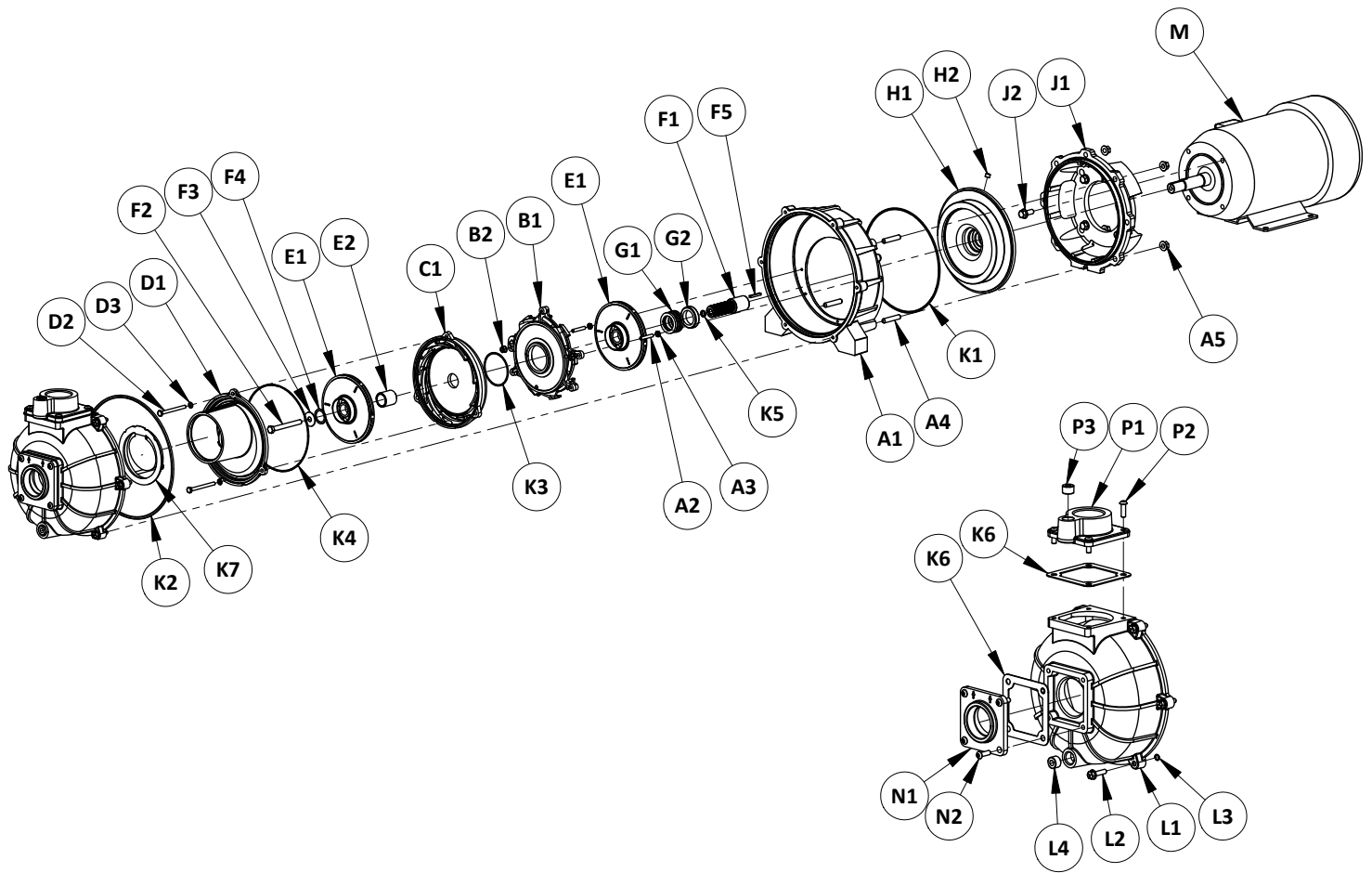
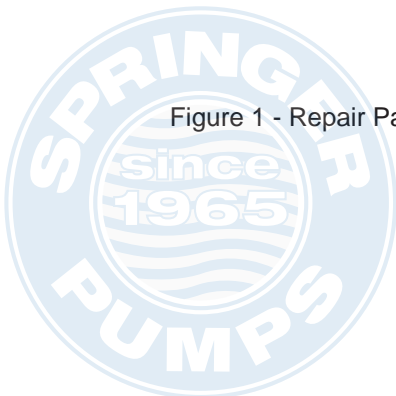


Figure 1 - Repair Parts Illustrations



## Repair Parts List

Ref. No.	Description	Part Number for Models			Qty.
		4802-95	4803-95	4804-95	
		7.5HP-3PH	7.5HP-1PH	10HP	
M	Motor 5HP - 3PH	N/A	N/A	N/A	1
	Motor 5HP - 1PH	N/A	N/A	N/A	1
	Motor 7.5HP - 3PH	1627-353-00	N/A	N/A	1
	Motor 7.5HP - 1PH	N/A	1626-079-00	N/A	1
	Motor 10HP - 3PH	N/A	N/A	1627-354-00	1
	Motor 10HP - 1PH	N/A	N/A	1626-080-00	1
A1	Bracket Kit (includes Ref. Nos. A1 to A5)	2MPX-030-95	2MPX-030-95	2MPX-030-95	1
A2	1/4-20x1-1/2" Stud	Incl. w/Ref. A1	Incl. w/Ref. A1	Incl. w/Ref. A1	2
A3	1/4-20 Hex Jam Nut	Incl. w/Ref. A1	Incl. w/Ref. A1	Incl. w/Ref. A1	2
A4	3/8-16x2" Stud	Incl. w/Ref. A1	Incl. w/Ref. A1	Incl. w/Ref. A1	4
A5	3/8-16 Hex Nut	Incl. w/Ref. A1	Incl. w/Ref. A1	Incl. w/Ref. A1	4
B1	Diffuser #2 Kit (includes Ref. Nos. B1 and B2)	2MPX-158-95	2MPX-158-95	2MPX-157-95	1
B2	1/4-20 Hex Flange Nut	Incl. w/Ref. B1	Incl. w/Ref. B1	Incl. w/Ref. B1	2
C1	Diffuser #1 Kit	2MPX-153-95	2MPX-153-95	2MPX-156-95	1
D1	Diffuser Cover Kit (includes Ref. Nos. D1 to D3)	2MPX-154-95	2MPX-154-95	2MPX-155-95	1
D2	1/4-20x3" Hex Screw	Incl. w/Ref. D1	Incl. w/Ref. D1	Incl. w/Ref. D1	3
D3	1/4 Washer	Incl. w/Ref. D1	Incl. w/Ref. D1	Incl. w/Ref. D1	3
E1	Impeller Kit (includes Ref. Nos. E1 and E2)	2MP9-010-96	2MP9-010-96	2MPX-010-96	2
E2	Spacer	Incl. w/Ref. E1	Incl. w/Ref. E1	Incl. w/Ref. E1	1
F1	Stub Shaft Kit (includes Ref. Nos. F1 to F5)	4800-140-90	4800-140-90	4800-140-90	1
F2	3/8-16x3-1/2" Hex Screw	Incl. w/Ref. F1	Incl. w/Ref. F1	Incl. w/Ref. F1	1
F3	Washer	Incl. w/Ref. F1	Incl. w/Ref. F1	Incl. w/Ref. F1	1
F4	Shim	Incl. w/Ref. F1	Incl. w/Ref. F1	Incl. w/Ref. F1	(-)
F5	Shaft Key	Incl. w/Ref. F1	Incl. w/Ref. F1	Incl. w/Ref. F1	1
G1 & G2	Shaft Seal Assembly	1643-324-00	1643-324-00	1643-324-00	1
H1	Seal Plate Kit (includes Ref. Nos. H1 and H2)	2MPX-022-96	2MPX-022-96	2MPX-022-96	1
H2	1/8" NPT Plug	Incl. w/Ref. H1	Incl. w/Ref. H1	Incl. w/Ref. H1	1
J1	Adapter Kit (includes Ref. Nos. J1 and J2)	4800-030-96	4800-031-96	4800-031-96	1
J2	3/8-16x1" Hex Flange Screw	Incl. w/Ref. J1	N/A	N/A	4
	1/2-13x1-1/4" Hex Screw	N/A	Incl. w/Ref. J1	Incl. w/Ref. J1	4

## Repair Parts List - Continued

Ref. No.	Description	Part Number for Models			Qty.
		4802-95	4803-95	4804-95	
		7.5HP-3PH	7.5HP-1PH	10HP	
KIT	Gasket/O-Ring Kit (includes Ref. Nos. K1 to K7)	4800-300-90	4800-300-90	4800-300-90	1
K1	Seal Plate to Bracket O-Ring EPR/EPDM	Incl. w/Ref. KIT	Incl. w/Ref. KIT	Incl. w/Ref. KIT	1
K2	Casing O-Ring EPR/EPDM	Incl. w/Ref. KIT	Incl. w/Ref. KIT	Incl. w/Ref. KIT	1
K3	1st Stage to 2nd Stage O-Ring EPR/EPDM	Incl. w/Ref. KIT	Incl. w/Ref. KIT	Incl. w/Ref. KIT	1
K4	Diffuser Cover O-Ring EPR/EPDM	Incl. w/Ref. KIT	Incl. w/Ref. KIT	Incl. w/Ref. KIT	1
K5	Stud Shaft Screw O-Ring EPR/EPDM	Incl. w/Ref. KIT	Incl. w/Ref. KIT	Incl. w/Ref. KIT	1
K6	Flange Gasket EPDM/EPR	Incl. w/Ref. KIT	Incl. w/Ref. KIT	Incl. w/Ref. KIT	2
K7	Check Valve EPDM	Incl. w/Ref. KIT	Incl. w/Ref. KIT	Incl. w/Ref. KIT	1
L1	Casing Kit (includes Ref. Nos. L1 to L4)	2MPX-001-95	2MPX-001-95	2MPX-001-95	1
L2	5/16-18x1-1/4" Hex Flange Screw	Incl. w/Ref. L1	Incl. w/Ref. L1	Incl. w/Ref. L1	6
L3	Screw Keeper O-Ring EPR/EPDM	Incl. w/Ref. L1	Incl. w/Ref. L1	Incl. w/Ref. L1	6
L4	1/2" NPT Plug	Incl. w/Ref. L1	Incl. w/Ref. L1	Incl. w/Ref. L1	1
N1	Suction Flange Kit (includes Ref. Nos. N1 and N2)	4800-050-95	4800-050-95	4800-050-95	1
N2	5/16-18x1" Socket Button Head Screw	Incl. w/Ref. N1	Incl. w/Ref. N1	Incl. w/Ref. N1	4
P1	Discharge Flange Kit (includes Ref. Nos. P1 to P3)	4800-080-95	4800-080-95	4800-080-95	1
P2	5/16-18x1" Socket Button Head Screw	Incl. w/Ref. P1	Incl. w/Ref. P1	Incl. w/Ref. P1	4
P3	1/2" NPT Plug	Incl. w/Ref. P1	Incl. w/Ref. P1	Incl. w/Ref. P1	1





**NOTES:**

---

---

---

---

---

---

---

---

---

---

---

---

---

---

---

---

---

---

---

---

---

---

---

---

---

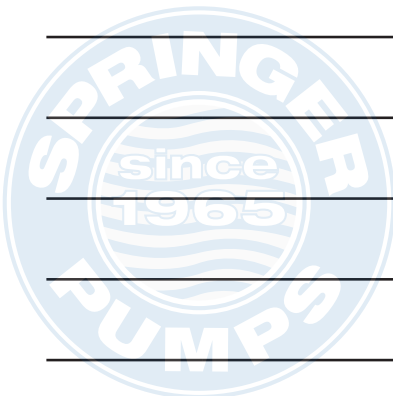
---

---

---

---

---







AMT Pump Company  
(herein "AMT")  
400 Spring Street  
Royersford, PA 19468  
Phone: (610) 948-3800  
Fax: (610) 948-5300  
www.amtpump.com



## General Information

**SALES POLICY:** AMT products are sold through our established Distributors. We do not sell direct to the consumer or organization not entitled to trade recognition. Therefore, possession of our catalogs and/or price list(s) does not infer an offer to sell.

**MINIMUM ORDER:** We appreciate your order, however, all orders are subject to a minimum \$35.00 net invoice charge (excluding freight). This applies to all pump and parts purchase orders.

**PRICES:** Prices are subject to change without notice. All orders accepted are subject to prices in effect at time of shipment.

**PAYMENT TERMS:** Terms, upon establishment of credit, are Net 30 days. Past due accounts may be subject to a service charge of 1.5% per month. Domestic or assignable letter of credit is required for all export trade.

**PAST DUE ACCOUNTS:** AMT reserves the right to withhold open account shipments on any past due account. Invoices are considered past due after thirty (30) days. In the interest of sound business, all orders are subject to approval of the Credit Department.

**SHIPPING INSTRUCTIONS:** All shipments will be made F.O.B. the factory. Where instructions for shipment do not appear on the order, the shipment will be made according to our best judgment. Full risk of loss (including transportation delays and losses) shall pass to the customer upon delivery of the products to the carrier at the F.O.B. point. When loss or delay occurs, primary responsibility for tracing rests with the customer. When there is LOSS or APPARENT VISIBLE DAMAGE to a shipment, when tendered for delivery, *DO NOT* give the carrier a clear receipt. Note such damage on the carrier's delivery receipt and *HAVE THE DRIVER SIGN THE RECEIPT.*

**PRODUCT REVISIONS:** AMT reserves the right to discontinue, change or improve its products or any portions thereof without being obligated to provide such a change or improvement for units sold and/or shipped prior to such a change or improvement.

**LEAD TIME:** Products designated "Quick Ship Product", also referred to as "QSP" will normally be shipped within 24 hours of receipt of a non-cancellable purchase order. Only limited quantities of "QSP" pumps are available.

**STANDARD LEAD TIME:** Lead time is two weeks for all non "QSP" product. AMT reserves the right to revise lead times as required due to availability of materials and all other causes beyond our control.

**VIP SHIPMENT:** Select AMT and IPT branded pumps are available for next day shipment for non-QSP (Quick Ship Products) items and subjected to a specific model surcharge per unit noted in the respective price book. Requires calling for availability, confirmation and a non-cancellable purchase order or credit card payment prior to shipment. The expedited shipping charges are an additional cost added separately from the VIP charges per item. AMT reserves the right to revise lead times as required due to availability of materials and all other causes beyond our control. QSP quantities are limited as determined by AMT.

All purchase orders must be submitted via hard copy sent to AMT customer service department by fax, EDI or e-mail.

**RETURN GOODS POLICY:** Goods shall not be returned without a return goods authorization number (RGA) issued by AMT customer service. The RGA number must be listed on the packing list. Only current model and part numbers with a valid date code may be returned (within one year from date of purchase). **A 20% restocking and packaging charge will apply to all returns. All shipping charges must be pre-paid. No exceptions.**

**ORDER CHANGES BY CUSTOMER:** Orders in process may not be changed except with written consent and may be subject to special charges.

## 12 Month Limited Warranty

### EXTENT AND DURATION OF LIMITED WARRANTY

**Coverage:** AMT Pump Company (herein "AMT") or IPT Pumps by Gorman-Rupp (herein "IPT") or Gorman-Rupp Industries Division of the The Gorman-Rupp Company, Patterson, or the Gorman-Rupp Company (herein referred to as "G-R Unit") each individually warrants that its products and parts shall be free from defects in material and workmanship for twelve (12) months from the date of purchase by the original end user when installation is made and maintenance is performed in accordance with G-R Unit's recommendations. Wear and tear resulting from use and items normally consumed in use are not covered.

### EXCEPTIONS

( A ) This Limited Warranty shall not apply to mechanical seals in AMT or IPT pumps and the following products and parts: engines, motors, trade accessories and all other products, components, parts and materials not manufactured by the G-R Units. These items may, however, be covered by the warranties of their respective manufacturers. ( B ) This warranty does not extend to or apply to any unit which has been repaired or altered at any place other than by a G-R Unit, or by persons not expressly approved by a G-R Unit to make repairs or alterations, nor to any unit the serial number, model number or identification of which has been removed, defaced or altered. ( C ) This warranty does not extend to any product manufactured by a G-R Unit, which has been subjected to mis-use, neglect, accident, improper installation, or use in violation of instructions furnished by a G-R Unit. ( D ) Pump Kits: This warranty does not extend to any product sold by a G-R Unit unassembled as a Pump Kit. Pump Kits are warranted against defects in material and workmanship for 60 days from the date of shipment from a G-R Unit. Any Pump Kit parts deemed defective by a G-R Unit will be replaced free of charge within 60 days of shipment. Pump Kits are not returnable for credit.

### LIMITATIONS

**THE G-R UNITS' SOLE AND EXCLUSIVE WARRANTY WITH RESPECT TO THEIR PRODUCTS AND PARTS IS THIS LIMITED WARRANTY. THIS LIMITED WARRANTY IS IN LIEU OF ALL OTHER EXPRESS AND/OR IMPLIED WARRANTIES, INCLUDING IMPLIED WARRANTIES OF MERCHANTABILITY AND FITNESS FOR PARTICULAR PURPOSE.**

### EXCLUSIVE REMEDY AND DAMAGES

The sole and exclusive remedy for breach of this Warranty by a G-R Unit and the entire extent of its liability for such breach or for damages arising from the use of the products and parts covered under this Limited Warranty, shall be as follows:

- Repair or Replacement:** If inspection shows that any G-R Unit product or part covered under this Limited Warranty is defective in materials or workmanship, the G-R Unit shall repair or replace the defective or non-conforming product or part without charge, whichever the G-R Unit chooses. You must have properly maintained and used the product or part claimed to be defective in accordance with the maintenance schedule or manual, which comes with the product. No allowance will be made for labor, installation, removal, transportation or other charges incurred by you in connection with such repair or replacement.
- To obtain the above remedy:

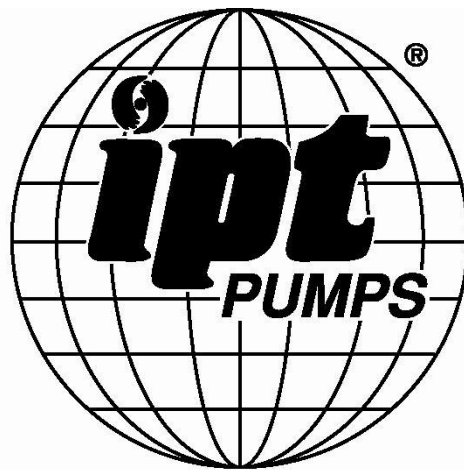
  - Immediately notify the G-R Unit upon discovery of the claimed defect in materials or workmanship and provide the serial number or date code of the product and/or part(s) or provide the G-R Unit with the invoice or bill of sale referencing the product by no later than the expiration date of the warranty period.
  - The G-R Unit will advise whether inspection will be necessary and how whether repair or replacement will be made. If inspection by the G-R Unit is necessary, the pump or defective part must be sent freight pre-paid to the G-R Unit. Return shipment will be F.O.B. the G-R Unit's plant.
  - Return Goods Authorization Requirement:** No product will be accepted for return or replacement without the prior written authorization of the G-R Unit. Upon such authorization, and in accordance with instructions from the G-R Unit, the product will be returned to the G-R Unit, shipping charges prepaid by the Buyer.
- Damages:** The G-R Unit's liability for damages for breach of this Limited Warranty shall not exceed the amount of the purchase price of the product or part(s) in respect to which Such damages are claimed. **IN NO EVENT SHALL THE G-R UNITS BE LIABLE FOR INCIDENTAL, CONSEQUENTIAL OR SPECIAL DAMAGES FOR BREACH OF THIS LIMITED WARRANTY.**

Some states do not allow the exclusion or limitation of incidental or consequential damages, so the above limitation or exclusion may not apply to you. This Limited Warranty gives you specific legal rights, and you may also have other rights, which vary from state to state.

AMT Pump Company, A Gorman-Rupp Company, 400 Spring Street, Royersford, PA 19468 USA



**A Gorman-Rupp Company**



**BY  
GORMAN-RUPP®**

[www.amtpump.com](http://www.amtpump.com)

